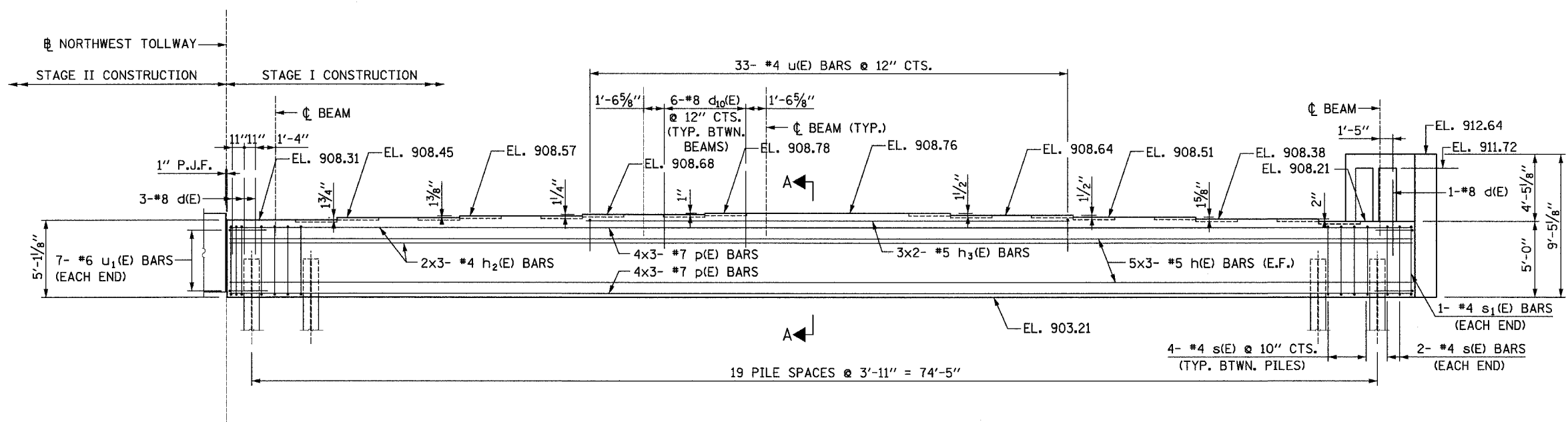
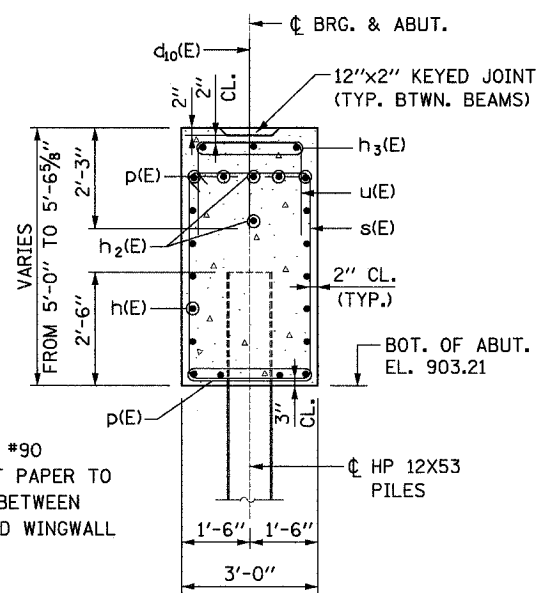
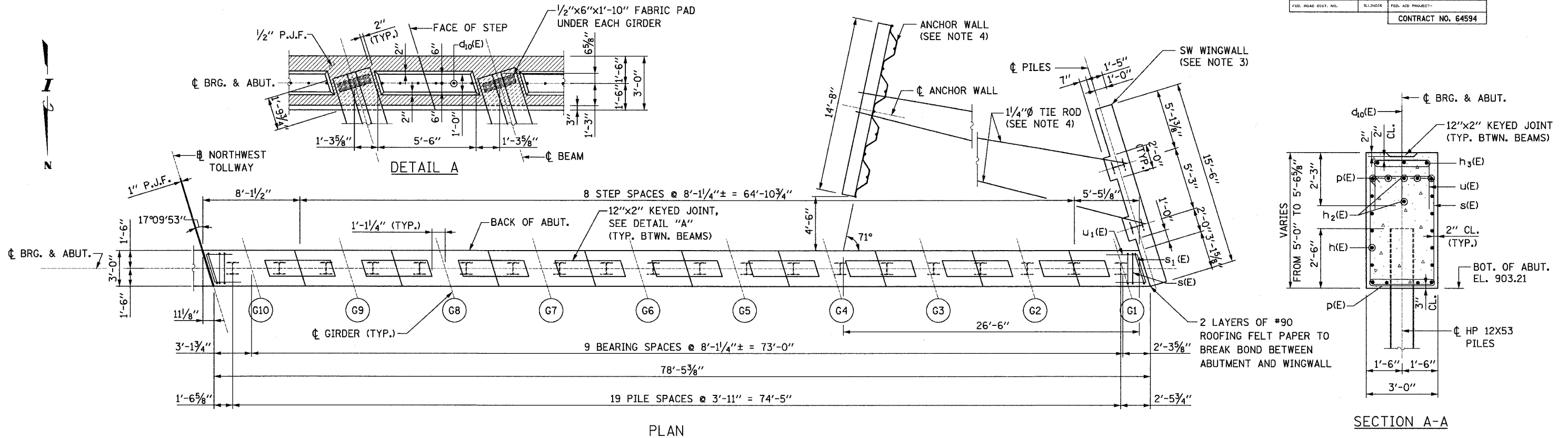


STATE OF ILLINOIS
DEPARTMENT OF TRANSPORTATION

ROUTE NO.	SECTION	COUNTY	SHEET NO.	SHEET
303	129k	WINNEBAGO	585	188
FED. ROAD DIST. NO.				
ILLINOIS FED. AID PROJECT-				
CONTRACT NO. 64594				

SHEET NO. S09
OF SHEETS S47



- NOTES:
- ALL REINFORCEMENT BARS DESIGNATED (E) SHALL BE EPOXY COATED.
 - BARS INDICATED THUS 2X3 -#5 ETC. INDICATES 2 LINE OF BARS WITH 3 LENGTHS PER LINE.
 - FOR BILL OF MATERIAL AND WINGWALL DETAILS, SEE SHEET S11.
 - FOR ANCHOR WALL AND TIE ROD DETAILS, SEE SHEET S15.

DESIGNED	MS
CHECKED	JIG
DRAWN	MS
CHECKED	JIG

PILE DATA
 TYPE: STEEL HP 12X53 PILES W/METAL SHOES
 DESIGN CAPACITY: 55 TON
 DRIVEN CAPACITY: 69 TON
 EST. LENGTH: 49'
 NO. REQ'D.: 21 PLUS 1 TEST PILE

- LEGEND**
- I - PILE
 - E.F. - EACH FACE
 - BOT. - BOTTOM
 - ABUT. - ABUTMENT
 - BRG. - BEARING
 - BTWN. - BETWEEN
 - P.J.F. - PREFORMED JOINT FILLER



SOUTH ABUTMENT (SB)
 N.W. TOLLWAY
 OVER IL 173 (F.A.P. ROUTE 303)
 SECTION 129K
 WINNEBAGO COUNTY
 STATION 443+73.62
 S.N. 101-9963 (SB) & 101-9964 (NB)
 TOLLWAY S.N. 703 (NB) & 704 (SB)