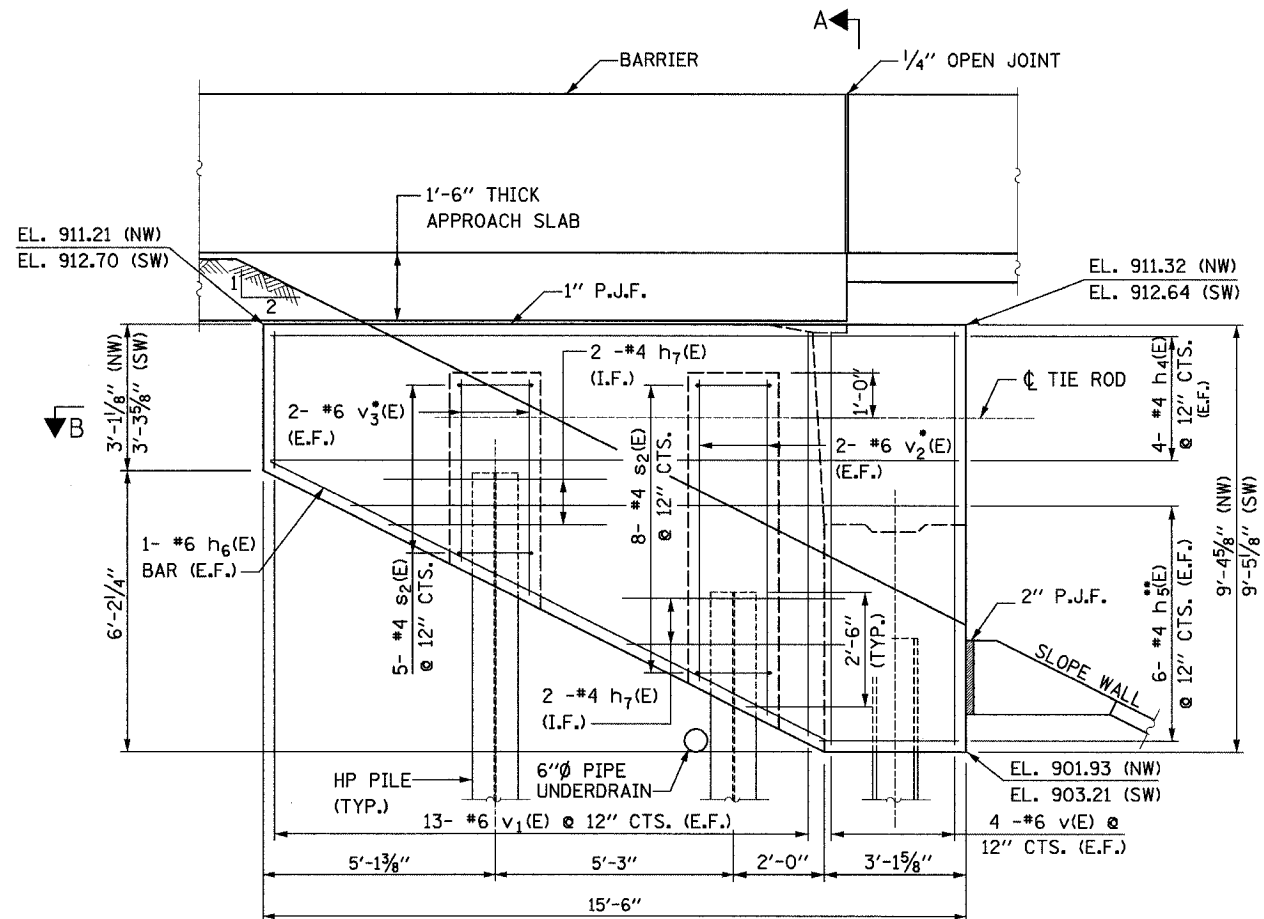
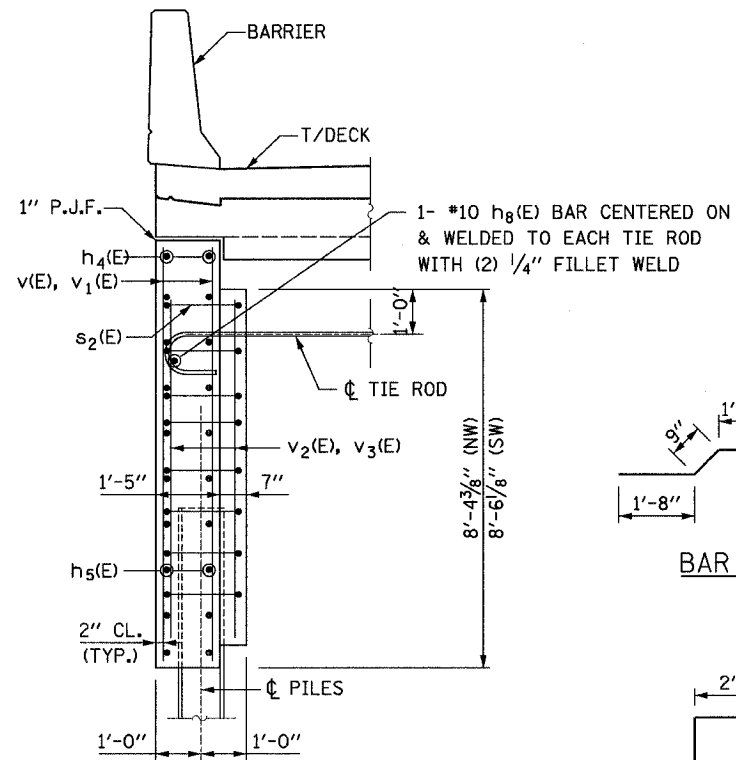


STATE OF ILLINOIS
DEPARTMENT OF TRANSPORTATION

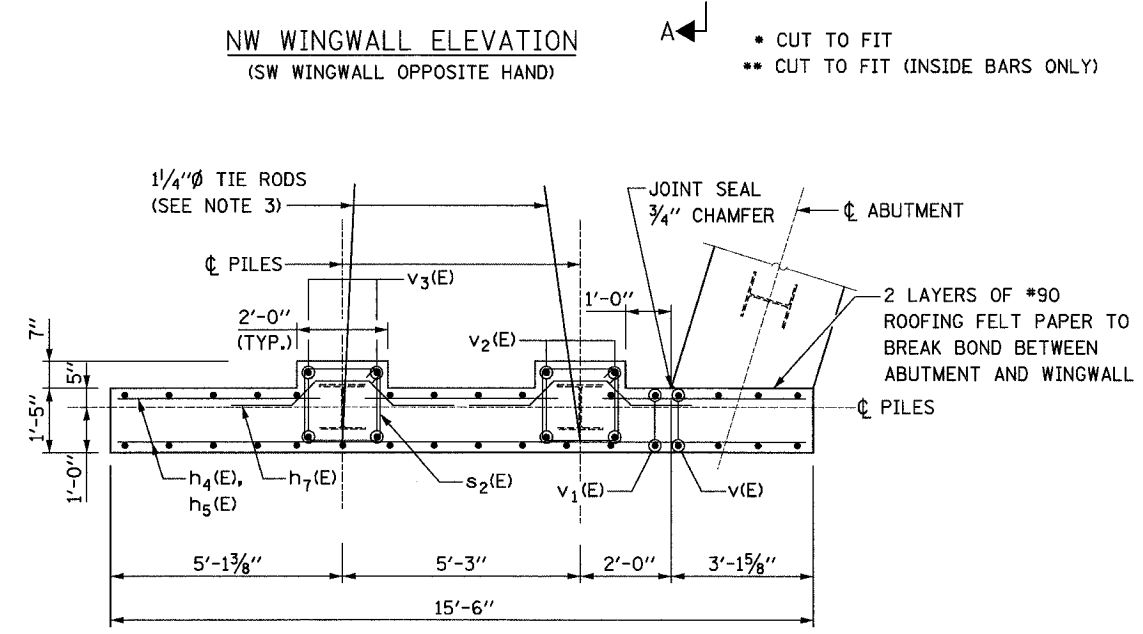
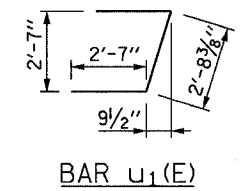
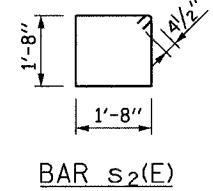
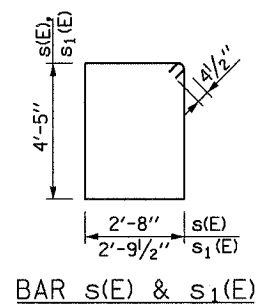
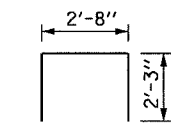
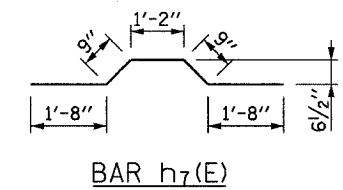
ROUTE NO.	SECTION	COUNTY	SHEET NO.	SHEET NO.
303	129k	WINNEBAGO	585	190
F.A.P.		CONTRACT NO. 64594		
FED. ROAD DIST. NO.		ILLINOIS FED. AID PROJECT-		



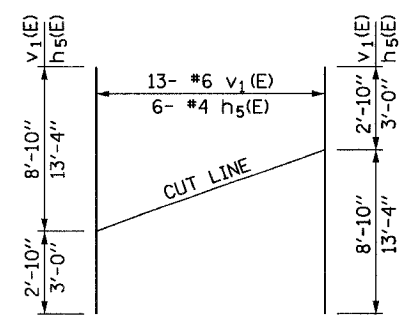
NW WINGWALL ELEVATION
(SW WINGWALL OPPOSITE HAND)



SECTION A-A



SECTION B-B



FIELD CUTTING DIAGRAM
CUT AS SHOWN AND USE REMAINDER
OF BARS IN OPPOSITE FACE

- LEGEND**
- I - PILE
 - E.F. - EACH FACE
 - I.F. - INSIDE FACE
 - T/ - TOP OF
 - P.J.F. - PREFORMED JOINT FILLER

REINFORCING BAR SCHEDULE

BAR	NO.	SIZE	LENGTH	SHAPE
d1(E)	116	#8	5'-0"	—
h(E)	60	#5	27'-6"	—
h1(E)	6	#5	29'-9"	—
h2(E)	12	#4	27'-2"	—
h3(E)	6	#5	17'-7"	—
h4(E)	16	#4	15'-2"	—
h5(E)	26	#4	16'-4"	—
h6(E)	4	#4	13'-10"	—
h7(E)	8	#4	6'-0"	—
h8(E)	4	#10	2'-6"	—
p(E)	48	#7	29'-3"	—
s(E)	160	#4	14'-11"	□
s1(E)	4	#4	15'-2"	□
s2(E)	26	#4	7'-5"	□
u(E)	91	#4	7'-2"	□
u1(E)	28	#6	10'-7"	□
v(E)	16	#6	9'-0"	—
v1(E)	24	#6	11'-8"	—
v2(E)	8	#6	7'-2"	—
v3(E)	8	#6	4'-6"	—

BILL OF MATERIAL

PAY ITEM NUMBER	DESCRIPTION	UNIT	QUANTITY
50200100	Structure Excavation	Cu. Yds.	426
50300225	Concrete Structures	Cu. Yds.	105.7
50800205	Reinforcement Bars, Epoxy Coated	Pound	10,640
51201600	Furnishing Steel Piles HP 12x53	Foot	2,226
51202700	Driving Steel Piles	Foot	2,226
51203600	Test Pile Steel HP 12x53	Each	2
51204600	Metal Shoes	Each	42
60107700	Pipe Underdrains 6"	Foot	157
59100100	Geocomposite Wall Drain	Sq. Yd.	183.8
20700220	Porous Granular Embankment (Special)	Cu. Yds.	459.6

QUANTITIES SHOWN ARE THE TOTAL FOR N. ABUT. (SB) & S. ABUT. (SB) INCLUDING NW & SW WINGWALLS.

- NOTES:**
- ALL REINFORCEMENT BARS DESIGNATED (E) SHALL BE EPOXY COATED.
 - WORK THIS SHEET WITH SHEETS S09 & S10.
 - FOR ANCHOR WALL AND TIE ROD DETAILS, SEE SHEET S15.

ABUTMENT & WINGWALL DETAILS (SB)
N.W. TOLLWAY
OVER IL 173 (F.A.P. ROUTE 303)
SECTION 129K
WINNEBAGO COUNTY
STATION 443+73.62
S.N. 101-9963 (SB) & 101-9964 (NB)
TOLLWAY S.N. 703 (NB) & 704 (SB)



DESIGNED	MS
CHECKED	JIG
DRAWN	MS
CHECKED	JIG

\$\$\$DGN\$\$\$
\$\$\$PRF\$\$\$