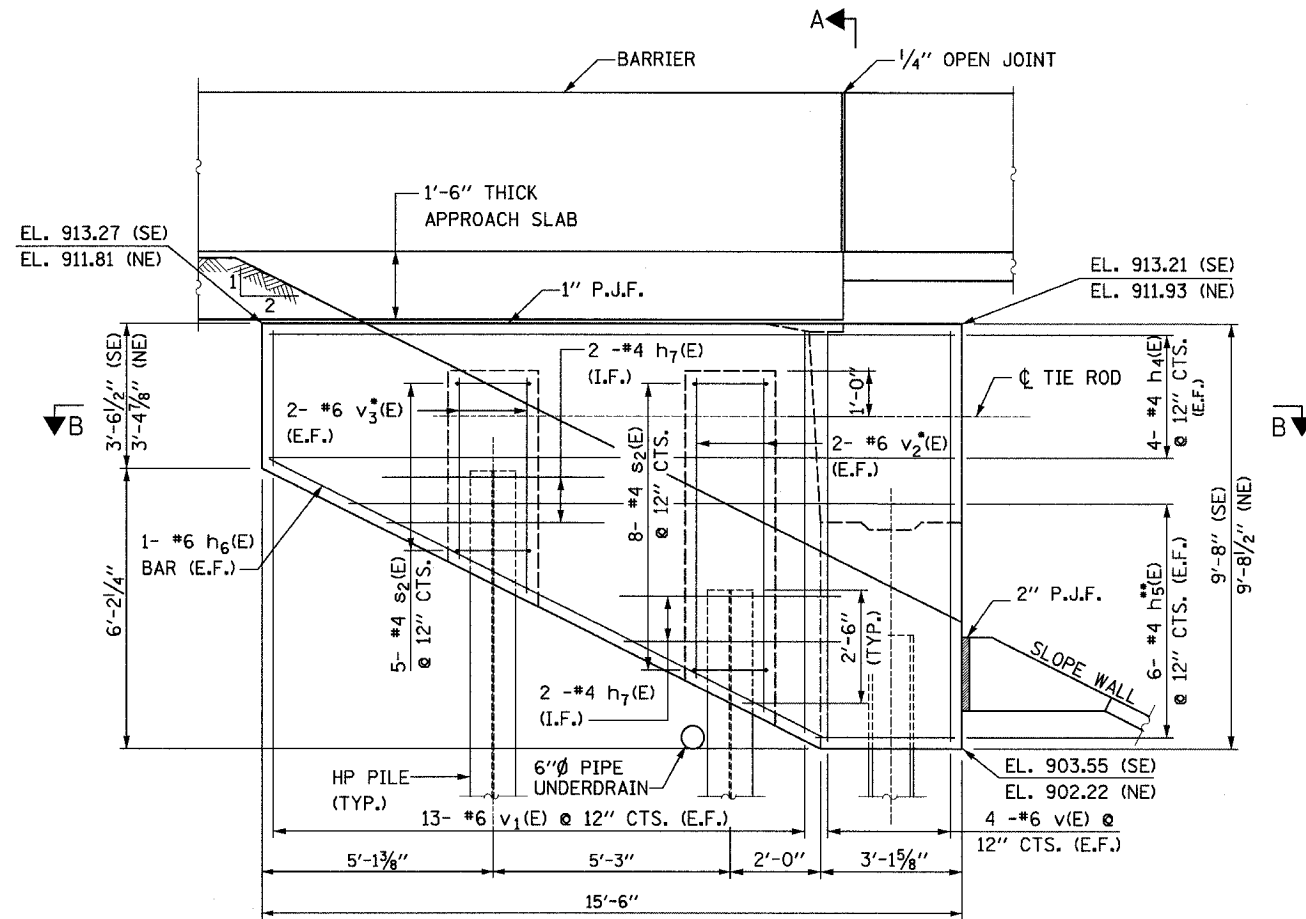


STATE OF ILLINOIS  
DEPARTMENT OF TRANSPORTATION

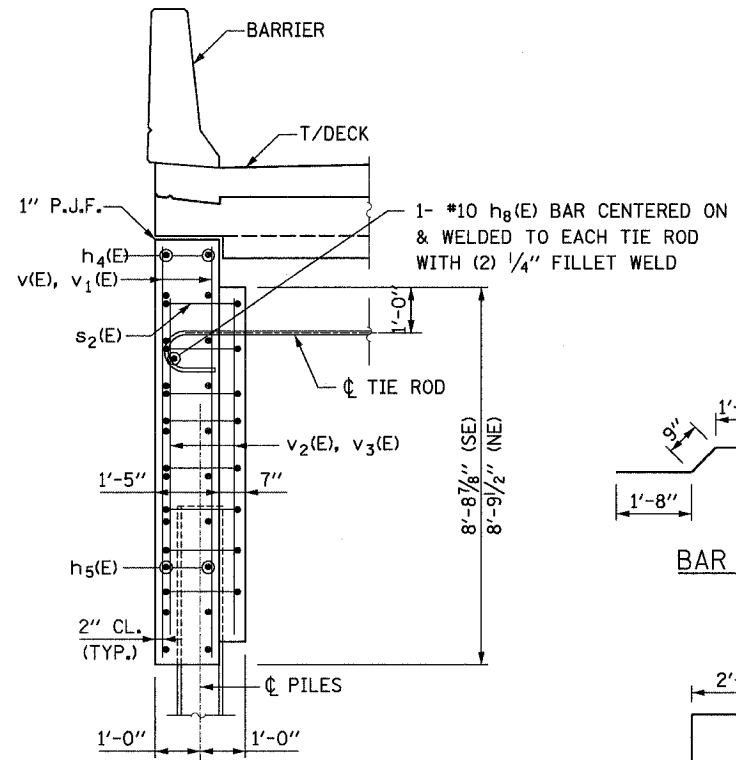
ROUTE NO.	SECTION	COUNTY	SHEET	SHEET
303	129K	WINNEBAGO	585	193
FED. ROAD DIST. NO.		ILLINOIS		FED. AID PROJECT-
CONTRACT NO. 64594				

SHEET NO. S14  
OF SHEETS S47

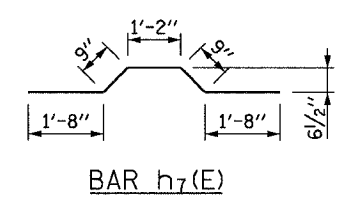


SE WINGWALL ELEVATION  
(NE WINGWALL OPPOSITE HAND)

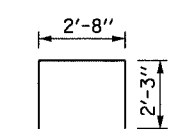
\* CUT TO FIT  
\*\* CUT TO FIT (INSIDE BARS ONLY)



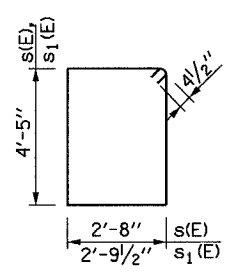
SECTION A-A



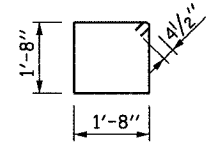
BAR h7(E)



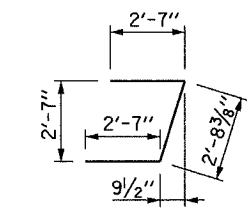
BAR u(E)



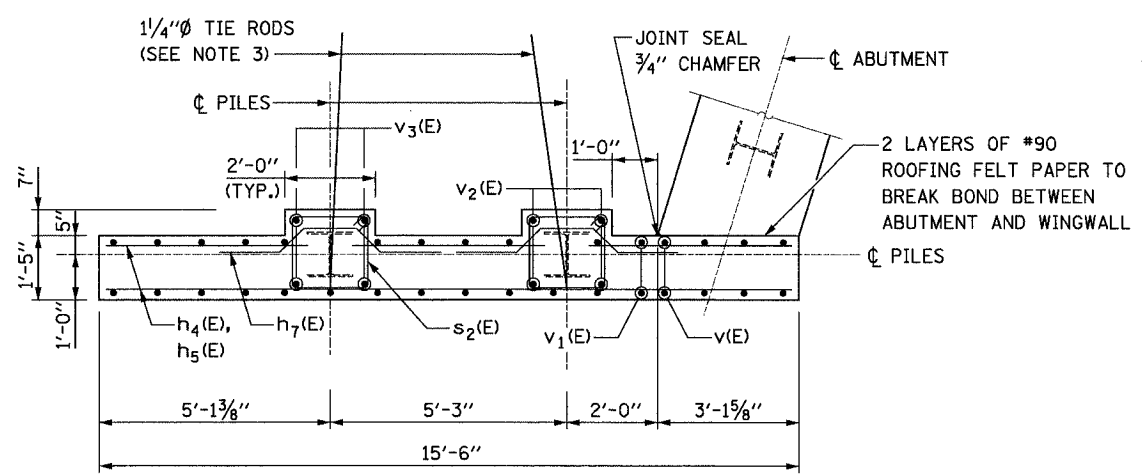
BAR s(E) & s1(E)



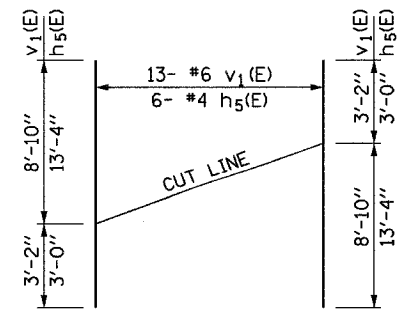
BAR s2(E)



BAR u1(E)



SECTION B-B



FIELD CUTTING DIAGRAM  
CUT AS SHOWN AND USE REMAINDER  
OF BARS IN OPPOSITE FACE

LEGEND

- I - PILE
- E.F. - EACH FACE
- I.F. - INSIDE FACE
- T/ - TOP OF
- P.J.F. - PREFORMED JOINT FILLER

REINFORCING BAR SCHEDULE				
BAR	NO.	SIZE	LENGTH	SHAPE
d10(E)	92	#8	5'-0"	—
h4(E)	16	#4	15'-2"	—
h5(E)	26	#4	16'-4"	—
h6(E)	4	#4	13'-10"	—
h7(E)	8	#4	6'-0"	—
h8(E)	4	#10	2'-6"	—
h10(E)	60	#5	23'-2"	—
h11(E)	6	#5	25'-6"	—
h12(E)	12	#4	22'-10"	—
h13(E)	6	#4	18'-3"	—
p1(E)	32	#7	34'-11"	—
s(E)	136	#4	14'-11"	□
s1(E)	4	#4	15'-2"	□
s2(E)	26	#4	7'-5"	□
u(E)	83	#4	7'-2"	□
u1(E)	28	#6	10'-7"	□
v(E)	16	#6	9'-0"	—
v1(E)	24	#6	11'-8"	—
v2(E)	8	#6	7'-2"	—
v3(E)	8	#6	4'-6"	—

BILL OF MATERIAL

PAY ITEM NUMBER	DESCRIPTION	UNIT	QUANTITY
50200100	Structure Excavation	Cu. Yds.	360
50300225	Concrete Structures	Cu. Yds.	90.7
50800205	Reinforcement Bars, Epoxy Coated	Pound	9,120
51201600	Furnishing Steel Piles HP 12x53	Foot	2,014
51202700	Driving Steel Piles	Foot	2,014
51204600	Metal Shoes	Each	38
60107700	Pipe Underdrains 6"	Foot	131
59100100	Geocomposite Wall Drain	Sq. Yd.	161.4
20700220	Porous Granular Embankment (Special)	Cu. Yds.	411.3

QUANTITIES SHOWN ARE THE TOTAL FOR N. ABUT. (NB) & S. ABUT. (NB) INCLUDING NE & SE WINGWALLS.

NOTES:

1. ALL REINFORCEMENT BARS DESIGNATED (E) SHALL BE EPOXY COATED.
2. WORK THIS SHEET WITH SHEETS S12 & S13.
3. FOR ANCHOR WALL AND TIE ROD DETAILS, SEE SHEET S15.

ABUTMENT & WINGWALL DETAILS (NB)

N.W. TOLLWAY  
OVER IL 173 (F.A.P. ROUTE 303)  
SECTION 129K  
WINNEBAGO COUNTY  
STATION 443+73.62  
S.N. 101-9963 (SB) & 101-9964 (NB)  
TOLLWAY S.N. 703 (NB) & 704 (SB)



DESIGNED	MS
CHECKED	JIG
DRAWN	MS
CHECKED	JIG