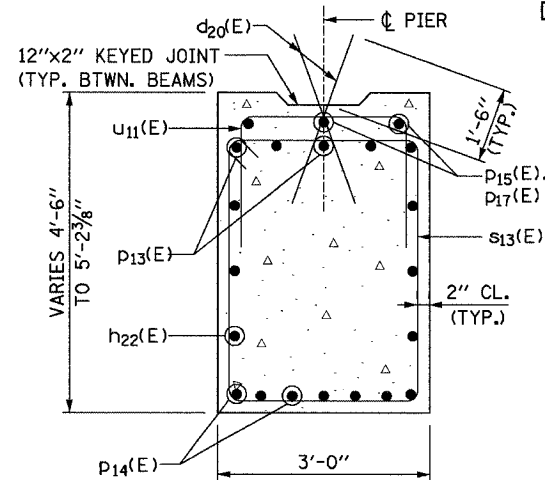
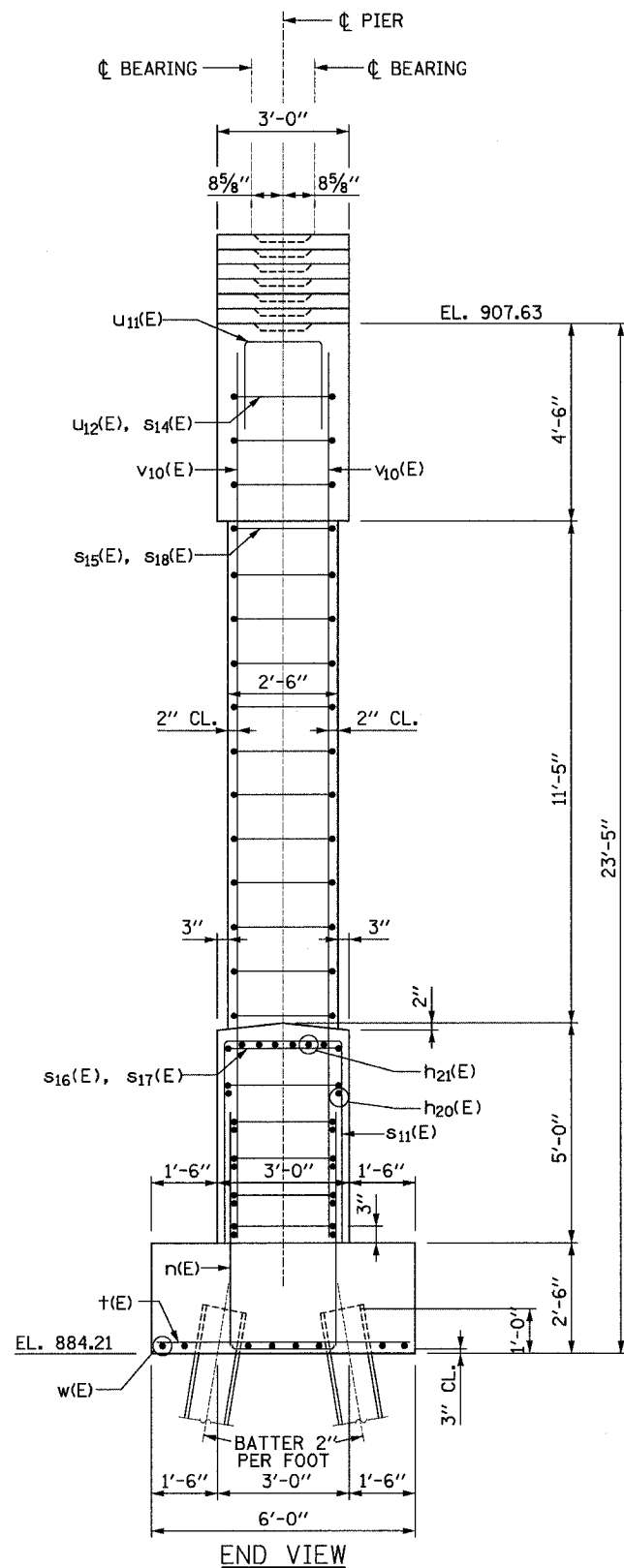


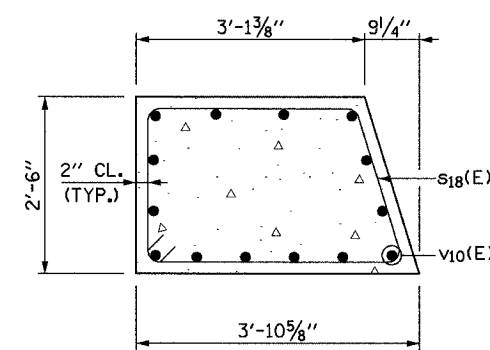
STATE OF ILLINOIS
DEPARTMENT OF TRANSPORTATION

ROUTE NO.	SECTION	COUNTY	SHEET	SHEET NO.
303	129k	WINNEBAGO	585	196
F.A.P.		ILLINOIS		FED. AID PROJECT-
CONTRACT NO. 64594				

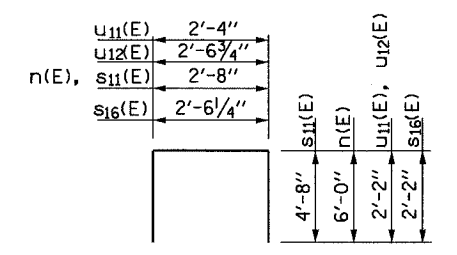
SHEET NO. S17
OF SHEETS S47



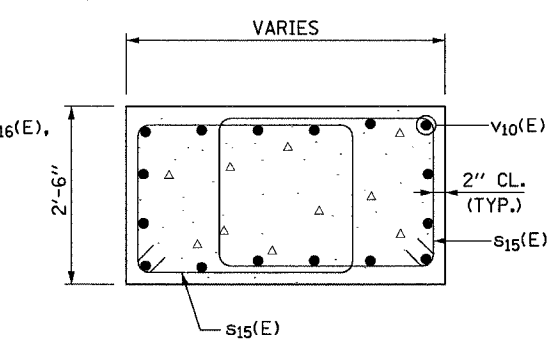
SECTION A-A



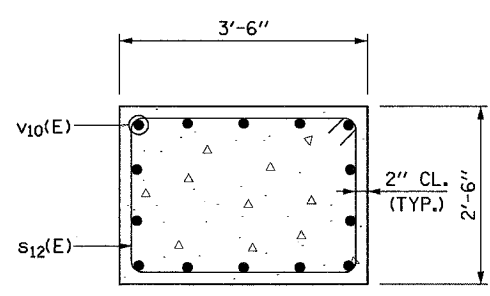
SECTION D-D



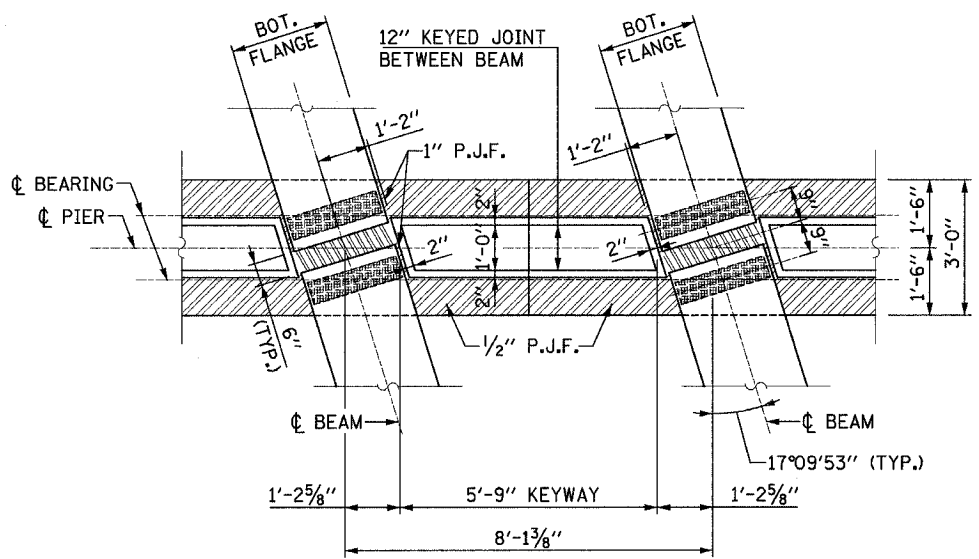
BAR n(E), s11(E), s16(E), u11(E), u12(E)



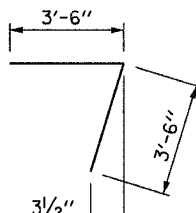
SECTION B-B



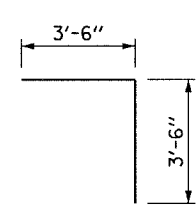
SECTION C-C



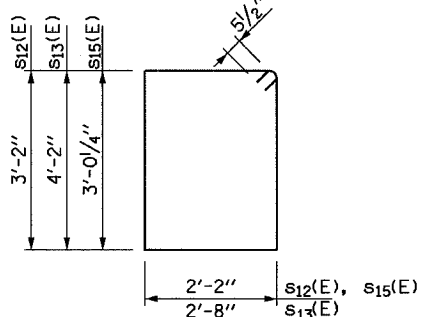
PIER CAP KEYWAY DETAIL



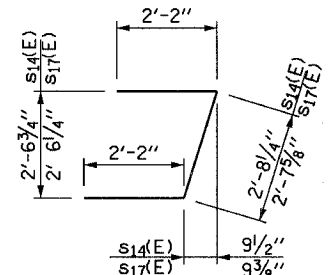
BAR p11(E)



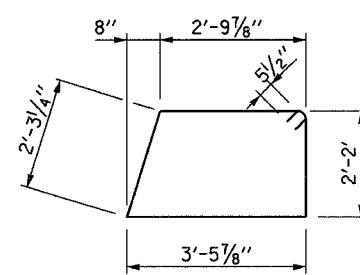
BAR p12(E)



BAR s12(E), s13(E), s15(E)



BAR s14(E), s17(E)



BAR s18(E)

REINFORCING BAR SCHEDULE				
BAR	NO.	SIZE	LENGTH	SHAPE
d20(E)	54	#8	3'-0"	—
h20(E)	30	#5	28'-3"	—
h21(E)	12	#8	44'-3"	—
h22(E)	18	#5	28'-3"	—
n(E)	81	#7	14'-8"	□
p11(E)	4	#5	7'-0"	7
p12(E)	4	#5	7'-0"	7
p13(E)	10	#10	45'-6"	—
p14(E)	12	#10	44'-6"	—
p15(E)	3	#5	24'-3"	—
p16(E)	3	#5	19'-3"	—
p17(E)	3	#5	19'-3"	—
s11(E)	81	#7	12'-0"	□
s12(E)	48	#5	11'-7"	□
s13(E)	140	#5	14'-7"	□
s14(E)	3	#5	7'-1"	7
s15(E)	24	#5	11'-4"	□
s16(E)	6	#5	6'-11"	□
s17(E)	6	#5	7'-0"	7
s18(E)	12	#5	11'-8"	□
t(E)	84	#5	5'-8"	—
u11(E)	80	#5	6'-8"	□
u12(E)	3	#5	6'-11"	□
v10(E)	86	#9	20'-9"	—
w(E)	16	#6	42'-0"	—

BILL OF MATERIAL

PAY ITEM NUMBER	DESCRIPTION	UNIT	QUANTITY
50200100	Structure Excavation	Cu. Yds.	155.4
50300225	Concrete Structures	Cu. Yds.	154.6
50800205	Reinforcement Bars, Epoxy Coated	Pound	23,590
51201600	Furnishing Steel Piles HP 12x53	Foot	1,066
51202700	Driving Steel Piles	Foot	1,066
51203600	Test Pile Steel HP 12x53	Each	1
51204600	Metal Shoes	Each	41
50300300	Protective Coat (Special)	Sq. Yd.	313
Z002600	Bar Splitters	Each	8

- NOTES:
1. REINFORCEMENT BARS DESIGNATED (E) SHALL BE EPOXY COATED.
 2. WORK THIS SHEET WITH SHEET S16.

PIER DETAILS (SB)
N.W. TOLLWAY
OVER IL 173 (F.A.P. ROUTE 303)
SECTION 129K
WINNEBAGO COUNTY
STATION 443+73.62
S.N. 101-9963 (SB) & 101-9964 (NB)
TOLLWAY S.N. 703 (NB) & 704 (SB)



DESIGNED	RJO
CHECKED	JIG
DRAWN	DCP
CHECKED	JIG

PILE DATA
TYPE: STEEL H-PILES W/METAL SHOES
DESIGN CAPACITY: 55 TON
REQUIRED CAPACITY: 69 TON
EST. LENGTH: 26'
NO. REQ'D.: 41 PLUS 1 TEST PILE