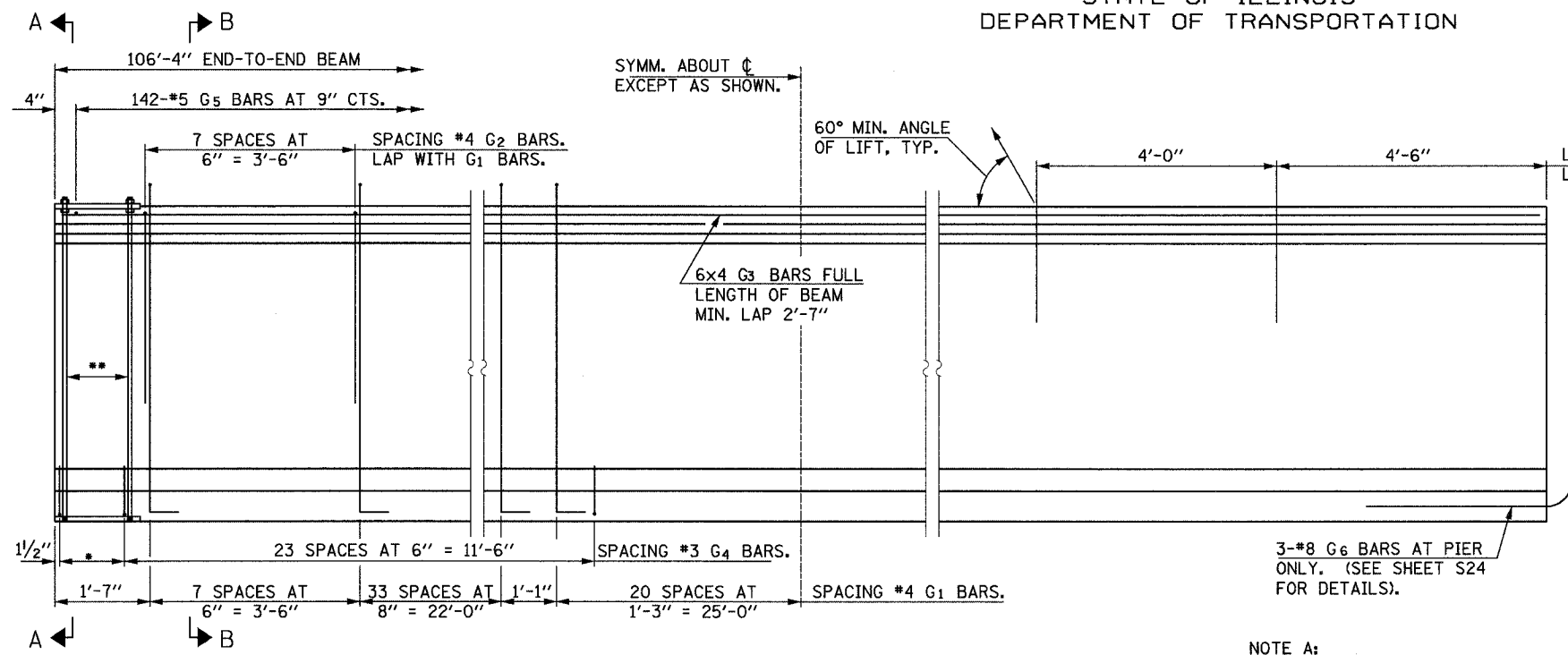


STATE OF ILLINOIS  
DEPARTMENT OF TRANSPORTATION

ROUTE NO.	SECTION	COUNTY	SHEET	SHEET NO.
303	129K	WINNEBAGO	585	201
FED. ROAD DIST. NO.		ILLINOIS	FED. AID PROJECT-	CONTRACT NO. 64594

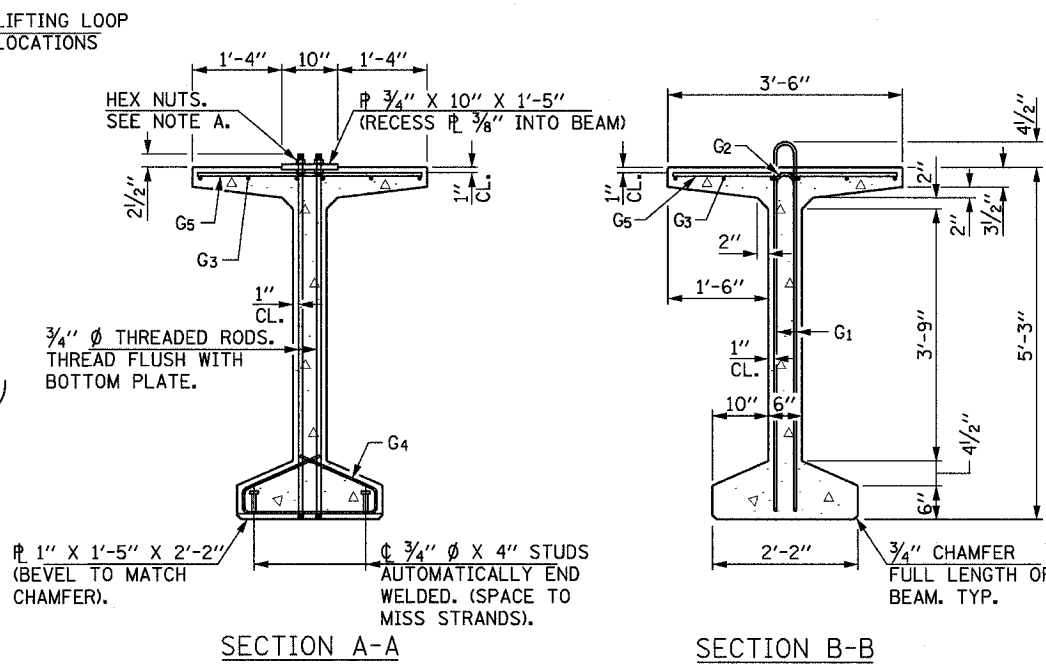
SHEET NO. S22  
OF SHEETS S47



ELEVATION OF BEAM (SPAN 1)  
(SHOWING REINFORCEMENT & DIMENSIONS)

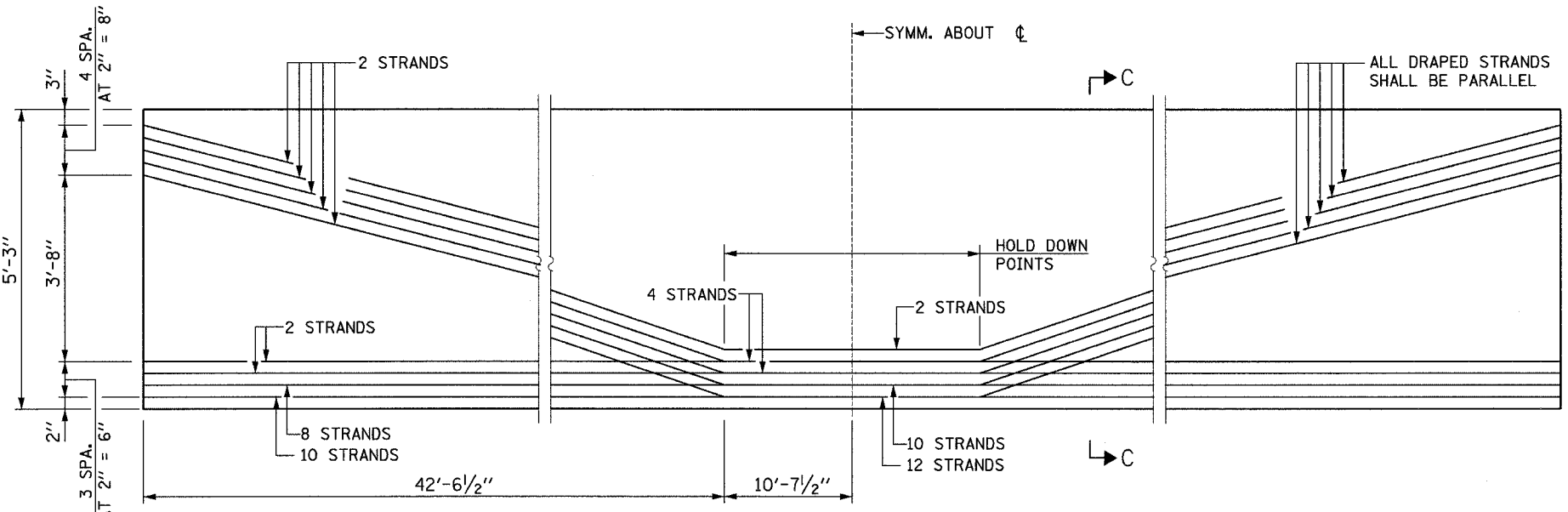
- \* 4 SPACES AT 3/4" = 1'-1".
- \*\* 5-3/4" Ø THREADED DOWEL RODS AT 3/4" CTS., EACH FACE.

NOTE A:  
HEX NUTS (TOP AND BOTTOM) WITH LOCK WASHERS (TOP). ONLY TIGHTEN SUFFICIENTLY TO COMPRESS LOCK WASHERS.



SECTION A-A

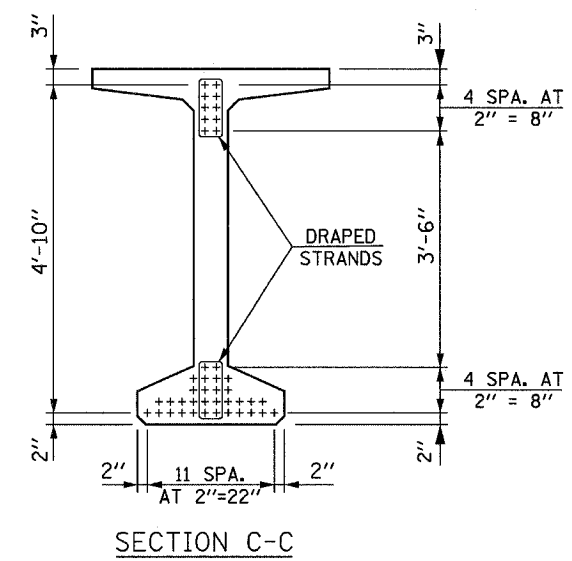
SECTION B-B



ELEVATION OF BEAM (SPAN 1)  
(SHOWING PRESTRESSING STEEL)

- NOTES:
1. ALL HOLES OR INSERTS ARE TO BE CAST ACCORDING TO SKEW ANGLE ON SHT. S20 AND S21.
  2. PLACE ALL HOLES OR INSERTS TO MISS THE PRESTRESSING STRANDS.
  3. SEE SHEET S24 FOR ADDITIONAL DETAILS.
  4. REQUIRED RELEASE STRENGTH, f'ci, SHALL BE 5000 PSI.

DESIGNED	AH
CHECKED	JIG
DRAWN	DCP
CHECKED	JIG



SECTION C-C

BAR LIST  
ONE BEAM ONLY

BAR NO.	SIZE	LENGTH	SHAPE
G1	#4	11'-11"	∩ L
G2	#4	6'-2"	∩
G3	#6	28'-5"	—
G4	#3	4'-11"	∩
G5	#5	3'-4"	—
G6	#8	3'-9"	—

SPAN 1 GIRDER

BILL OF MATERIAL

PAY ITEM NUMBER	DESCRIPTION	UNIT	QUANTITY
50400735	Furnishing and Erecting Precast Prestressed Concrete Bulb T-Beam, 63"	Foot	1,914

63" PPC BULB T-BEAM  
(SPAN 1)  
N.W. TOLLWAY  
OVER IL 173 (F.A.P. ROUTE 303)  
SECTION 129K  
WINNEBAGO COUNTY  
STATION 443+73.62  
S.N. 101-9963 (SB) & 101-9964 (NB)  
TOLLWAY S.N. 703 (NB) & 704 (SB)

