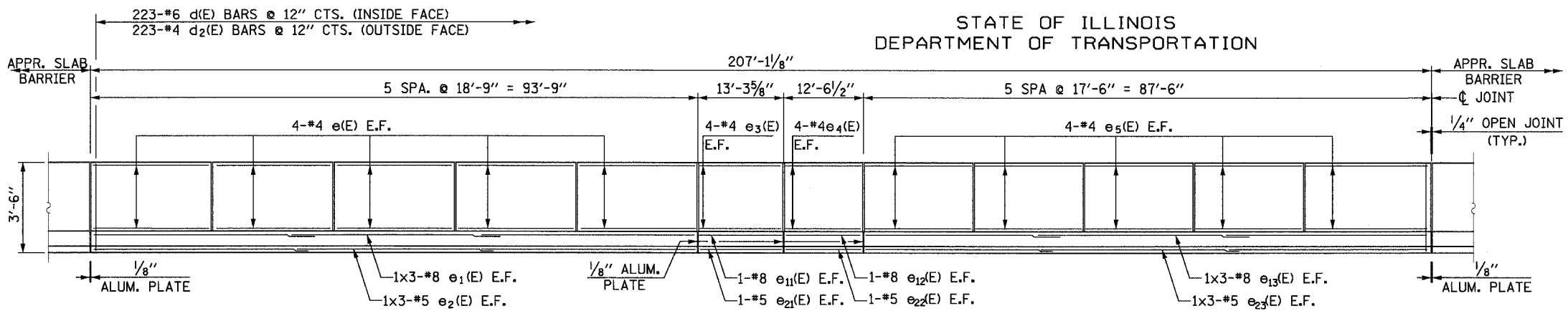


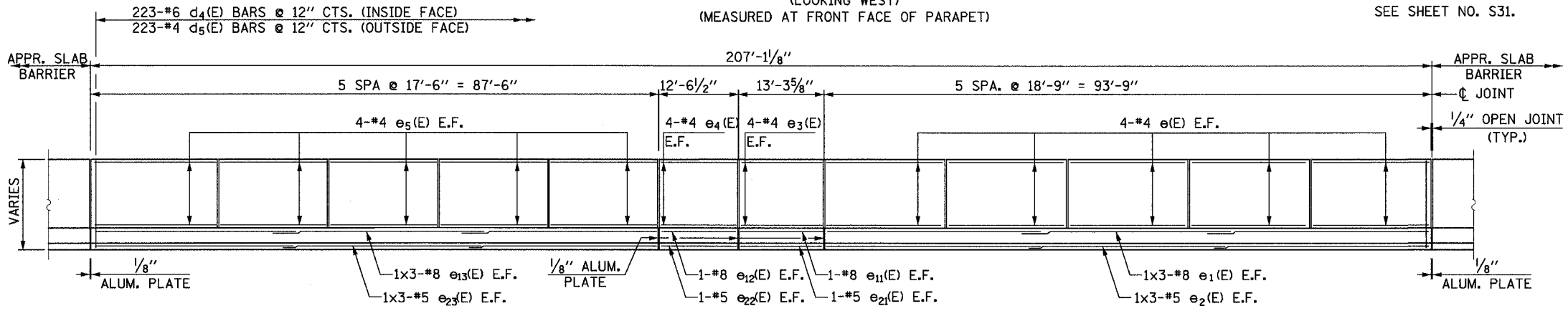
STATE OF ILLINOIS
DEPARTMENT OF TRANSPORTATION

ROUTE NO.	SECTION	COUNTY	SIZE	SHEET	SHEET NO. S27 OF SHEETS S47
303	129K	WINNEBAGO	585	206	
FED. ROAD DIST. NO.		ILLINOIS	FED. AID PROJECT-		CONTRACT NO. 64594

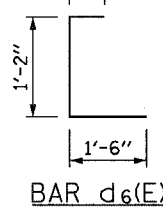
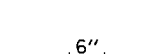
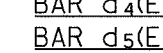
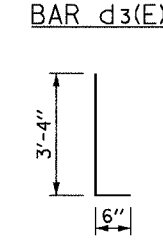
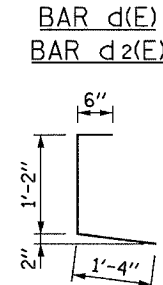
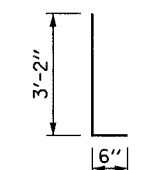
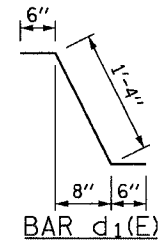


INSIDE ELEVATION OF WEST PARAPET
(LOOKING WEST)
(MEASURED AT FRONT FACE OF PARAPET)

NOTE:
FOR VERTICAL JOINT DETAIL
SEE SHEET NO. S31.



INSIDE ELEVATION OF MEDIAN PARAPET
(LOOKING EAST)
(MEASURED AT FRONT FACE OF PARAPET)



REINFORCING BAR SCHEDULE

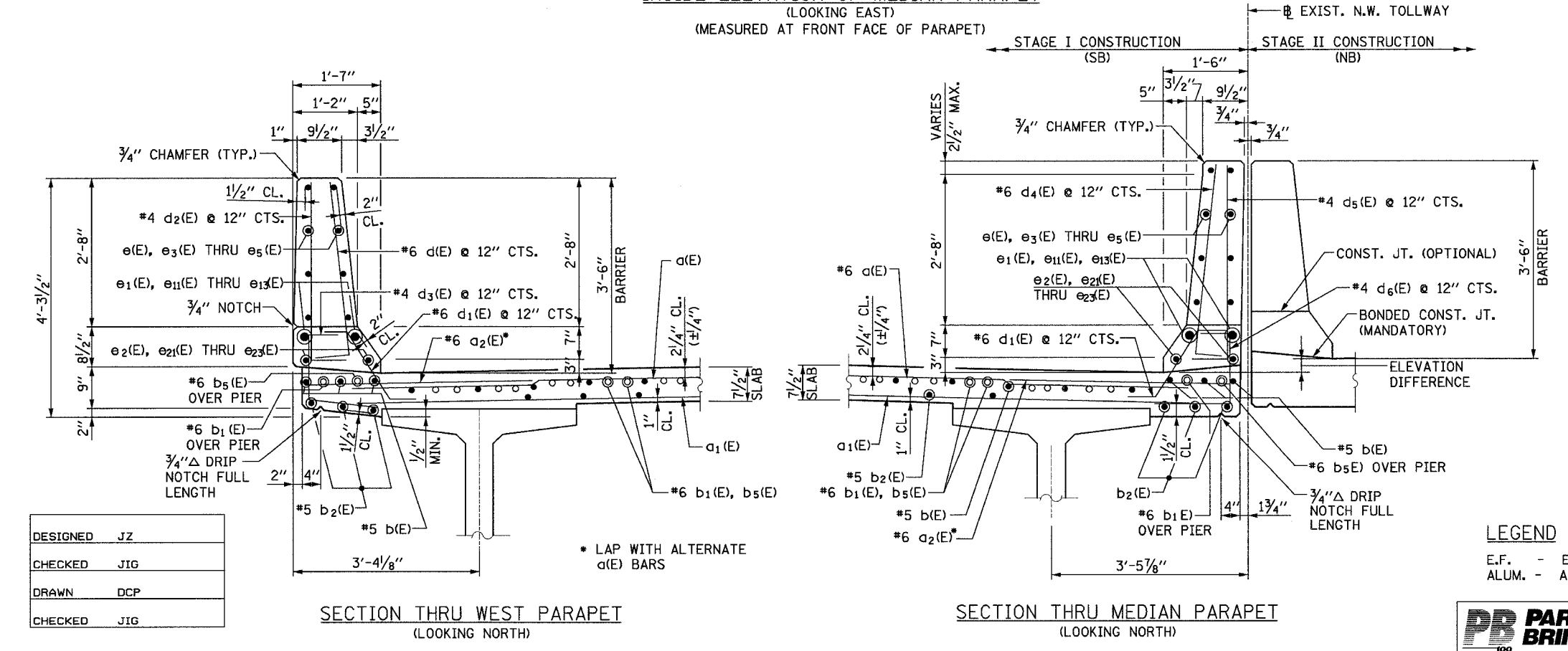
BAR	NO.	SIZE	LENGTH	SHAPE
d(E)	712	#5	39'-0"	—
d1(E)	834	#5	26'-10"	—
d2(E)	356	#6	6'-6"	—
b(E)	567	#5	30'-8"	—
b1(E)	76	#6	57'-0"	—
b2(E)	552	#5	27'-0"	—
b3(E)	154	#6	6'-0"	—
b4(E)	126	#6	5'-6"	—
b5(E)	76	#6	51'-3"	—
d(E)	223	#6	3'-8"	—
d1(E)	446	#6	2'-4"	—
d2(E)	223	#4	3'-8"	—
d3(E)	223	#4	3'-0"	—
d4(E)	223	#6	3'-10"	—
d5(E)	223	#4	3'-10"	—
d6(E)	223	#4	3'-2"	—
e(E)	80	#4	18'-6"	—
e1(E)	12	#8	34'-3"	—
e2(E)	12	#5	32'-9"	—
e3(E)	16	#4	13'-1"	—
e4(E)	16	#4	12'-4"	—
e5(E)	80	#4	17'-3"	—
e11(E)	4	#8	13'-1"	—
e12(E)	4	#8	12'-4"	—
e13(E)	12	#8	32'-3"	—
e21(E)	4	#5	13'-1"	—
e22(E)	4	#5	12'-4"	—
e23(E)	12	#5	30'-8"	—
m(E)	150	#6	6'-2"	—
m1(E)	36	#6	5'-6"	—
m3(E)	8	#8	6'-4"	—
m4(E)	2	#8	4'-4"	—
m5(E)	216	#6	7'-3"	—
m7(E)	18	#6	5'-8"	—
m9(E)	30	#6	27'-9"	—
m11(E)	6	#6	5'-9"	—
s20(E)	98	#4	12'-11"	□
s21(E)	36	#4	12'-0"	┌
s22(E)	45	#4	15'-0"	┌
u20(E)	10	#6	5'-2"	┌
u21(E)	10	#6	5'-6"	┌
v20(E)	152	#5	5'-0"	┌
v21(E)	148	#5	6'-0"	┌

BILL OF MATERIAL

PAY ITEM NUMBER	DESCRIPTION	UNIT	QUANTITY
50800205	Reinforcement Bars, Epoxy Coated	Pound	125,150
X0323397	High Performance Concrete Superstructure	Cu. Yds.	557.1
50300300	Protective Coat	Cu. Yds.	1,691
50300260	Bridge Deck Grooving	Sq. Yds.	1,645
50300300	Protective Coat (Special)	Cu. Yds.	207

NOTES:
1. REINFORCEMENT BARS DESIGNATED (E) SHALL BE EPOXY COATED.
2. FOR b, m, s, u, & v BAR DETAILS, SEE SHEET S25.

SUPERSTRUCTURE DETAILS (SB)
N.W. TOLLWAY
OVER IL 173 (F.A.P. ROUTE 303)
SECTION 129K
WINNEBAGO COUNTY
STATION 443+73.62
S.N. 101-9963 (SB) & 101-9964 (NB)
TOLLWAY S.N. 703 (NB) & 704 (SB)



LEGEND

E.F. - EACH FACE
ALUM. - ALUMINUM