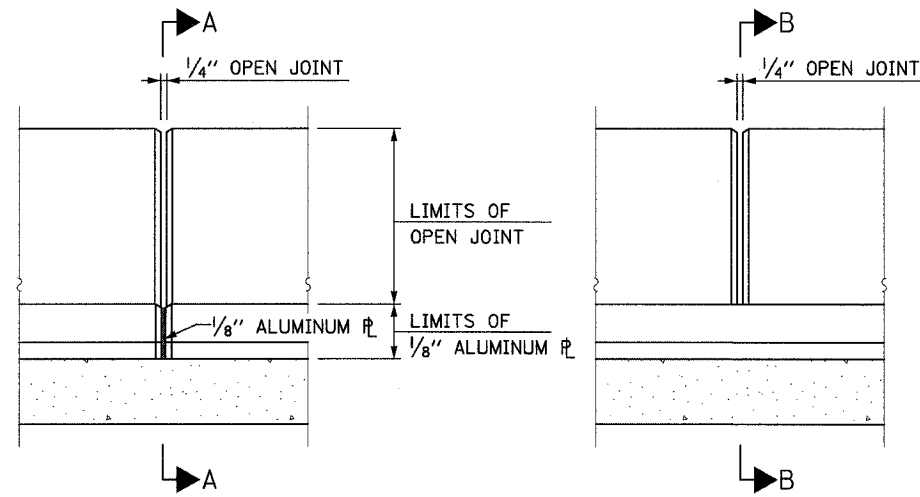
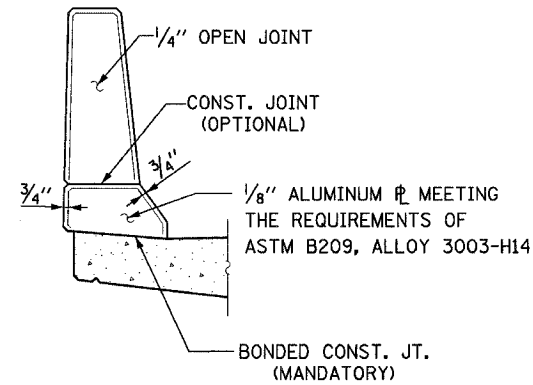


STATE OF ILLINOIS
DEPARTMENT OF TRANSPORTATION

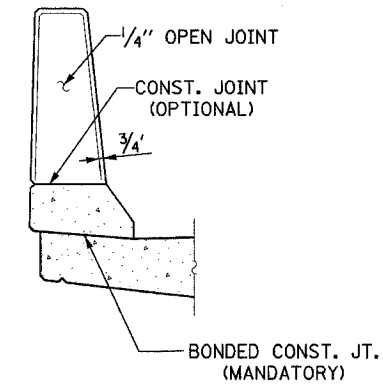
ROUTE NO.	SECTION	COUNTY	DATE SHEETS	SHEET NO.	SHEET NO. S30 OF SHEETS S47
F.A.P. 303	129K	WINNEBAGO	585	209	
FED. ROAD DIST. NO.		ILLINOIS	FED. AID PROJECT-		CONTRACT NO. 64594



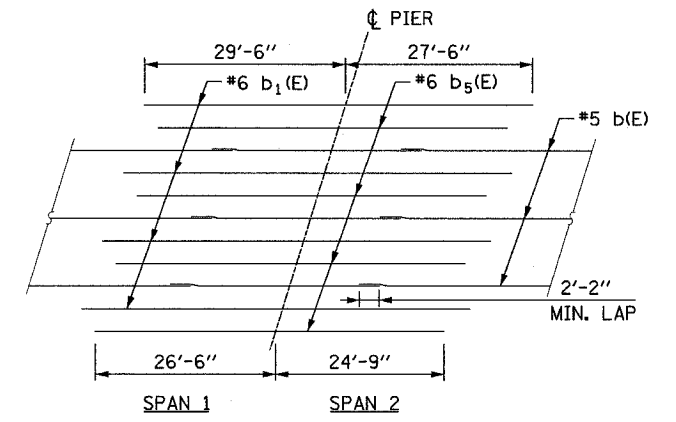
AT AND ADJACENT TO PIER
ELEVATION OF VERTICAL PARAPET JOINT
AT OTHER LOCATIONS



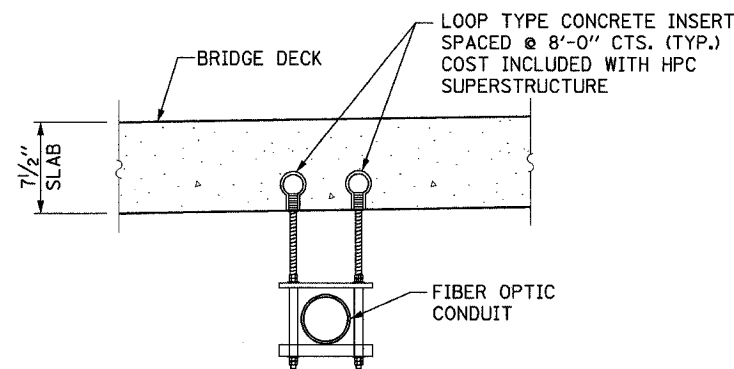
SECTION A-A



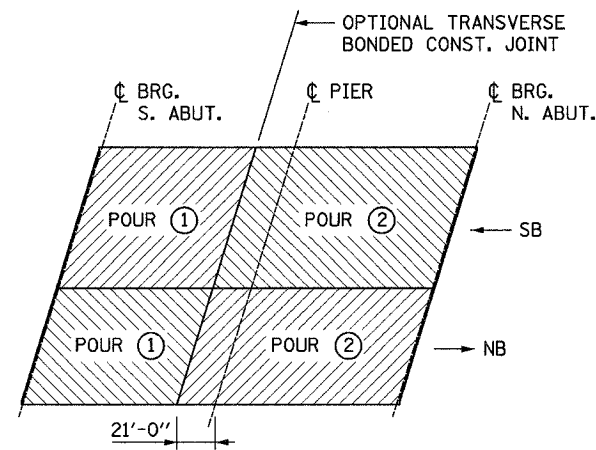
SECTION B-B



NEGATIVE MOMENT REINF. LAYOUT
TOP OF SLAB



FIBER OPTIC CONDUIT
(SEE FIBER OPTIC HANGER
DETAIL SHEET 307)



DECK POUR SEQUENCE PLAN
(S.B. & N.B. STRUCTURES)

NOTE:
ON SLIP-FORMED BARRIERS A 1/4" FULL DEPTH SAWED JOINT MAY BE SUBSTITUTED FOR THE OPEN JOINT AND 1/4" WIDE BY 2" DEPTH SAWED JOINT, BOTH FRONT AND BACK, MAY BE SUBSTITUTED FOR THE ALUMINUM PLATE. THE 2" DEPTH JOINT SHALL BE FILLED WITH A TWO COMPONENT NON-STAINING GRAY SEALING COMPOUND WITH POLYSULFIDE LIQUID POLYMER GUN-GRADE WITH PRIMER.

DESIGNED	AH
CHECKED	JIG
DRAWN	DCP
CHECKED	JIG



SUPERSTRUCTURE DETAILS
N.W. TOLLWAY
OVER IL 173 (F.A.P. ROUTE 303)
SECTION 129K
WINNEBAGO COUNTY
STATION 443+73.62
S.N. 101-9963 (SB) & 101-9964 (NB)
TOLLWAY S.N. 703 (NB) & 704 (SB)