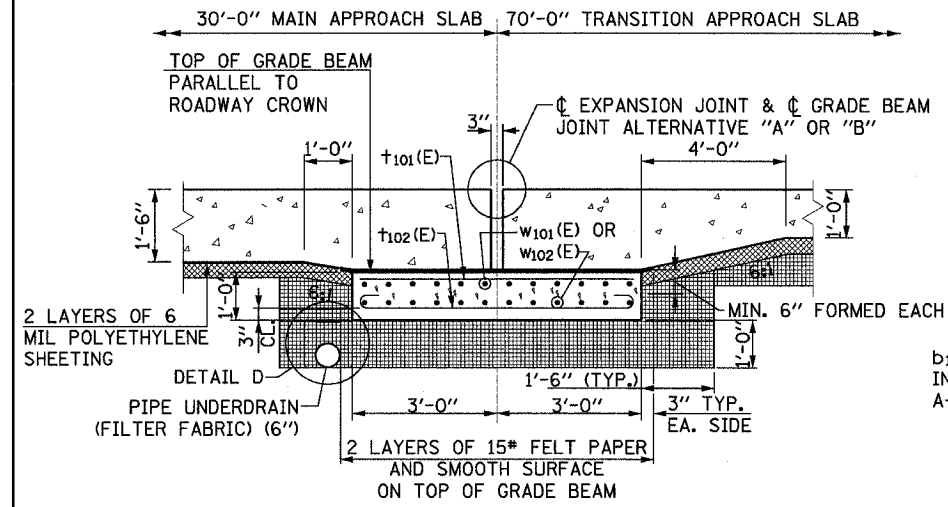
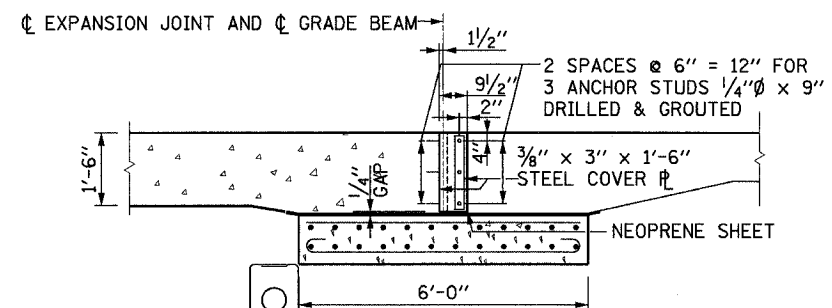


STATE OF ILLINOIS
DEPARTMENT OF TRANSPORTATION

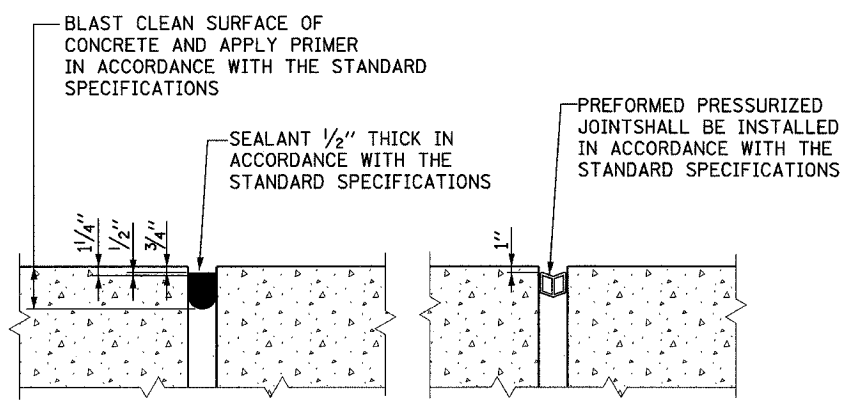
| | | | | | |
|------------|---------|----------------------------|------|--------------------|--------------------------------|
| ROUTE NO. | SECTION | COUNTY | JOBS | SHEET NO. | SHEET NO. S40 OF SHEETS S47 |
| 303 | 129K | WINNEBAGO | 585 | 219 | |
| F.A.P. NO. | | ILLINOIS FED. AID PROJECT- | | CONTRACT NO. 64594 | |



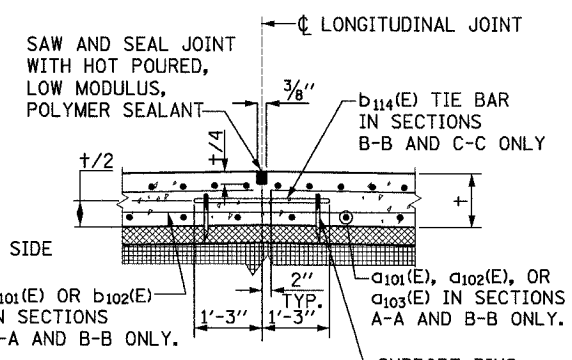
SECTION E-E
INTEGRAL & SEMI - INTEGRAL ABUTMENT



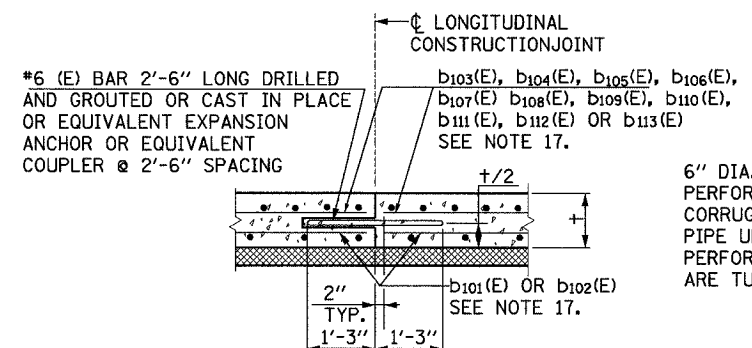
SECTION F-F
END ELEVATION OF EXPANSION JOINT



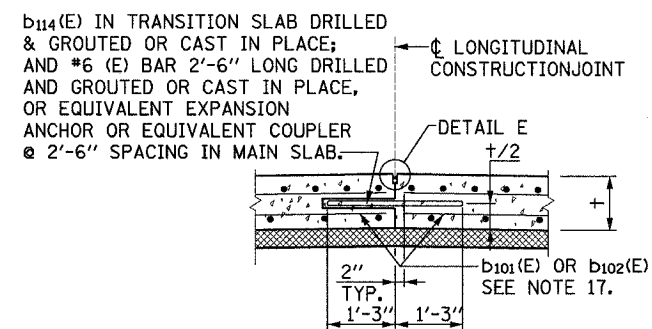
JOINT ALTERNATIVE "A" JOINT ALTERNATIVE "B"



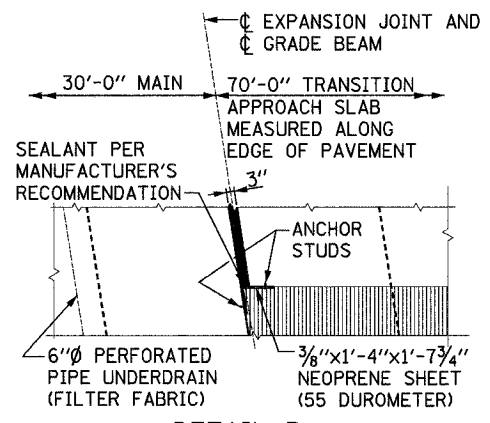
DETAIL A
TYPICAL LONGITUDINAL JOINT



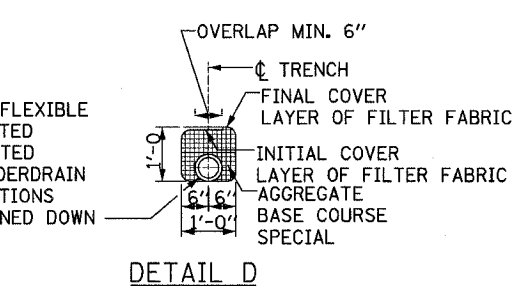
CROSS SECTION THRU LONGITUDINAL
CONSTRUCTION JOINT BETWEEN LANE LINES



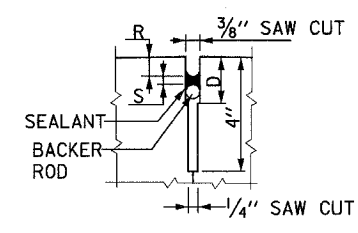
CROSS SECTION THRU LONGITUDINAL
JOINT WITH CONSTRUCTION JOINT



DETAIL B
END PLAN OF EXPANSION JOINT

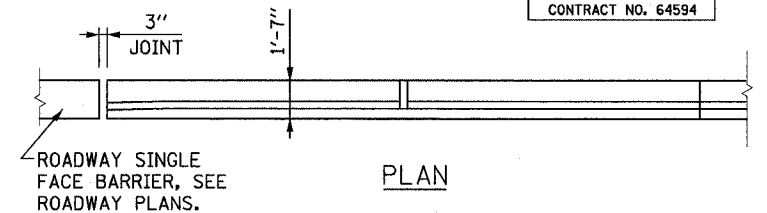


DETAIL D

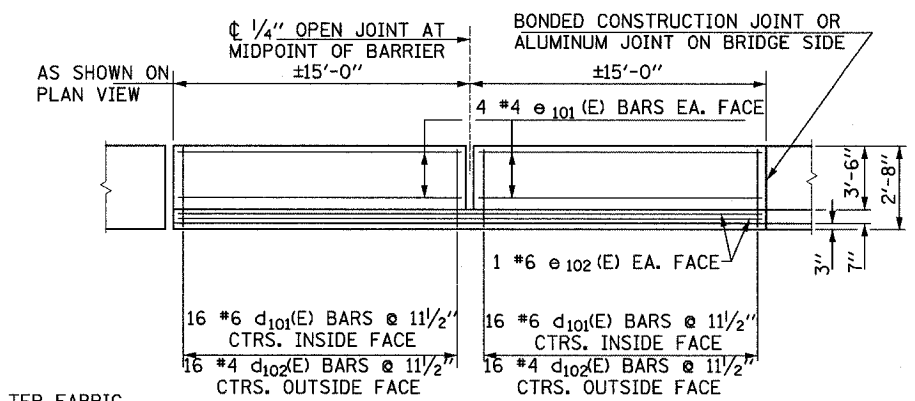


DETAIL E

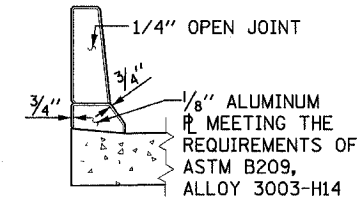
NOTE:
DIMENSIONS D, R & S ARE AS
RECOMMENDED BY THE SEALANT
MANUFACTURER.



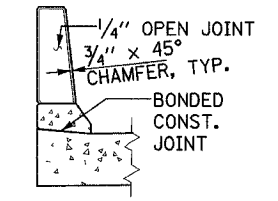
PLAN



BARRIER ELEVATION (INSIDE FACE)



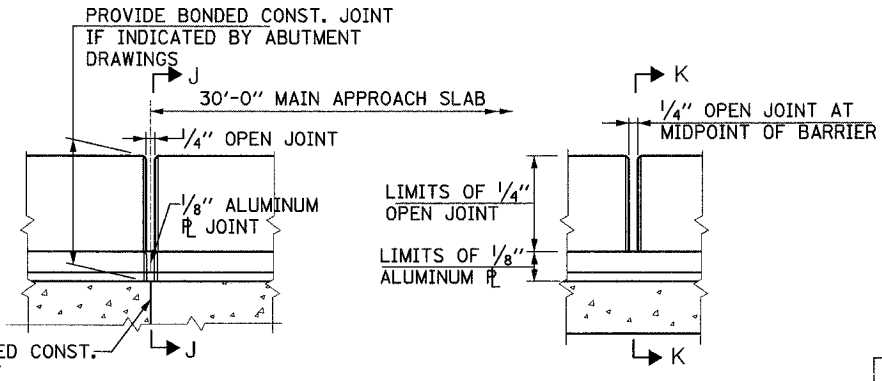
SECTION J-J



SECTION K-K

NOTE:
IN SECTION F-F, ANCHOR STUDS SHALL BE INSTALLED
IN ACCORDANCE WITH THE STANDARD SPECIFICATIONS.
STEEL PLATES, BOLTS, NUTS AND WASHERS SHALL
BE GALVANIZED.

| | |
|---------------------------------|------------------------|
| CONCRETE | BITUMINOUS SHOULDER |
| BITUMINOUS BASE COURSE, SPECIAL | JOINT SEALANT |
| AGGREGATE BASE COURSE, SPECIAL | PREFORMED JOINT FILLER |



ELEVATION DETAIL OF BARRIER JOINTS

| | |
|----------|-----|
| DESIGNED | JZ |
| CHECKED | JIG |
| DRAWN | DCP |
| CHECKED | JIG |



APPROACH SLAB DETAILS
N.W. TOLLWAY
OVER IL 173 (F.A.P. ROUTE 303)
SECTION 129K
WINNEBAGO COUNTY
STATION 443+73.62
S.N. 101-9963 (SB) & 101-9964 (NB)
TOLLWAY S.N. 703 (NB) & 704 (SB)