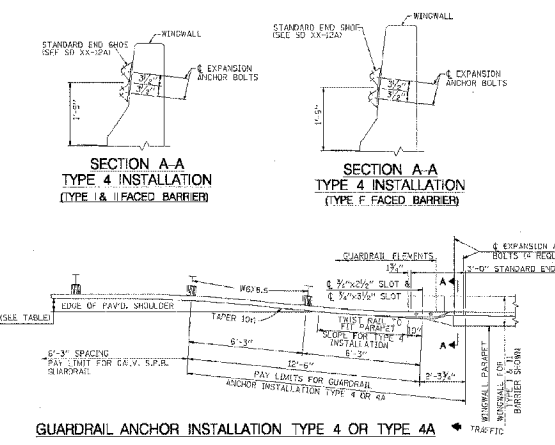
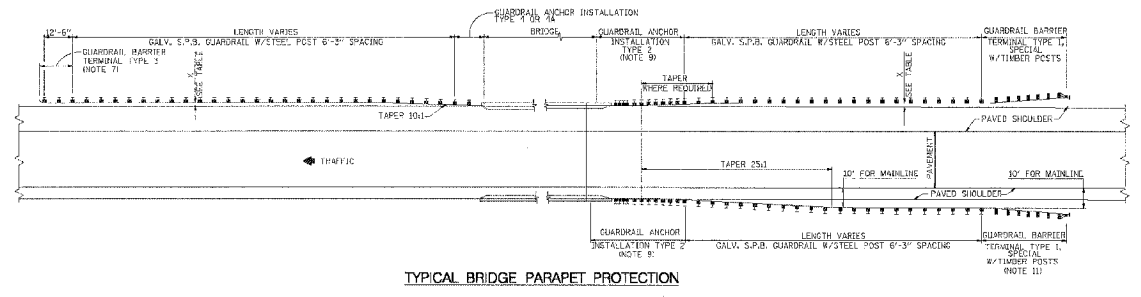


F.A.P. RTE.	SECTION	COUNTY	TOTAL SHEETS	SHEET NO.
303	I29K	WINNEBAGO	585	273
STA.		TO STA.		
FED. ROAD DIST. NO.		ILLINOIS	FED. AID PROJECT	



- GENERAL NOTES**
1. RAIL ELEMENTS, BOLTS, NUTS AND WASHERS SHALL BE HOT DIP GALVANIZED IN ACCORDANCE WITH THE REQUIREMENTS OF AASHTO M232 (ASTM A153) AND THE STANDARD SPECIFICATIONS.
 2. THE CONNECTIONS BETWEEN THE STANDARD END SHOE AND THE WINDWALL SHALL CONFORM TO THE REQUIREMENTS OF STANDARD SD XX-12A.
 3. POSTS, PLATES, RUBBER AND MISCELLANEOUS ACCESSORIES SHALL CONFORM TO THE REQUIREMENTS OF AASHTO M232 (ASTM A153) AND SHALL BE GALVANIZED IN ACCORDANCE WITH AASHTO M211 (ASTM A153).
 4. WOOD SHALL BE TREATED AND CONFORM TO THE REQUIREMENTS OF THE STANDARD SPECIFICATIONS.
 5. GUARDRAIL LATERAL CLEARANCE FOR RAMP IS EQUAL TO PAVED SHOULDER WIDTH PLUS 1' FOR BOTH OUTSIDE AND INSIDE SHOULDERS WITHOUT GUTTERS.
 6. WHERE GUARDRAIL POSTS ARE DRIVEN THROUGH BITUMINOUS SHOULDER, CONTRACTOR SHALL REPAIR AND/OR SEAL SHOULDER POSTS.
 7. FOR DETAILS OF GUARDRAIL BARRIER TERMINAL TYPE 3, SEE STANDARD SD XX-12H.
 8. FOR DETAILS OF GUARDRAIL AND ACCESSORIES, SEE STANDARD SD XX-12A.
 9. FOR DETAILS OF GUARDRAIL ANCHOR INSTALLATION TYPE 2, SEE STANDARD SD XX-12I.
 10. S.F.B. DENOTES STEEL PLATE BEAM.

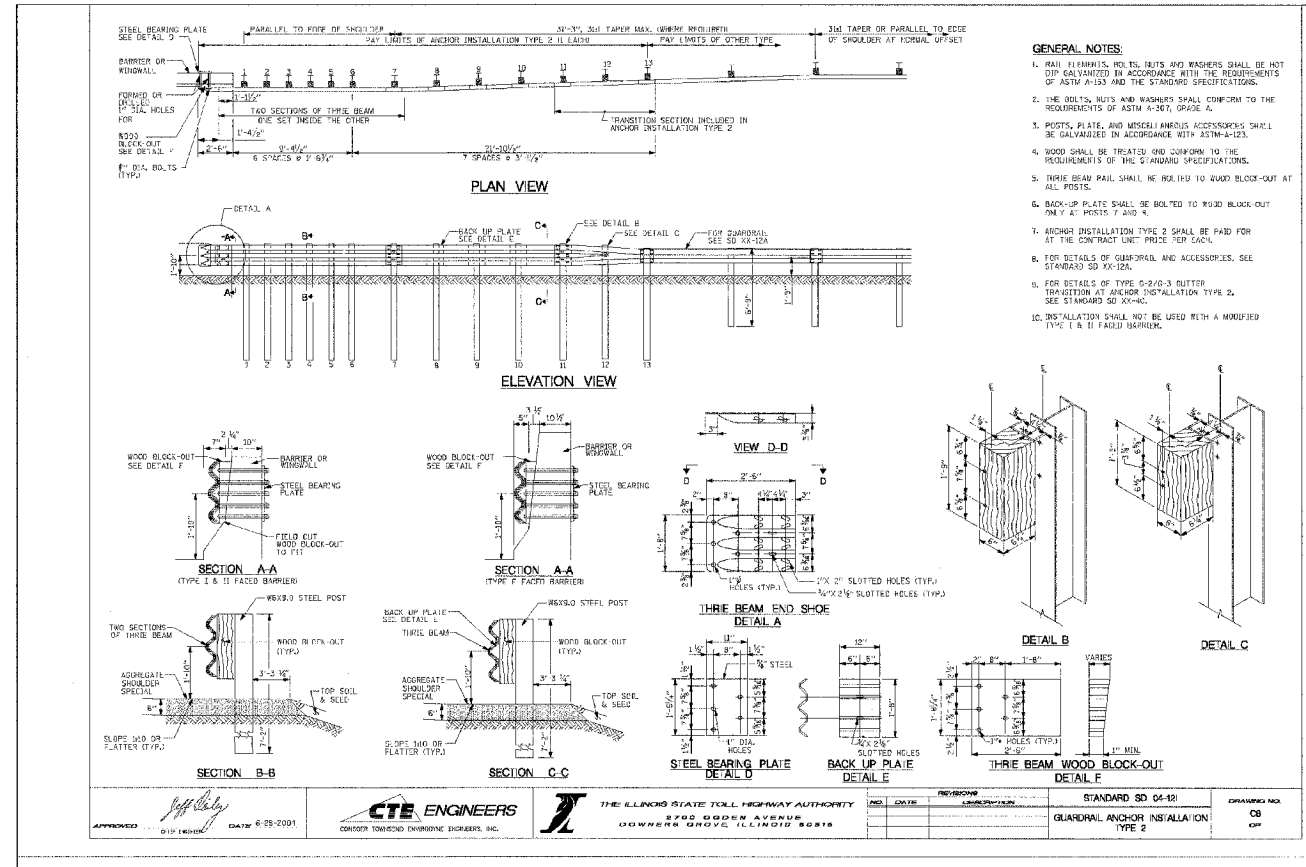
APPROVED: [Signature] DATE: 6-28-2001

CTE ENGINEERS CONSULTING ENGINEERS, INC. 8700 DODD AVENUE, DOWNERS GROVE, ILLINOIS 60515

THE ILLINOIS STATE TOLL HIGHWAY AUTHORITY 8700 DODD AVENUE, DOWNERS GROVE, ILLINOIS 60515

STANDARD SD 04-12G BRIDGE PARAPET PROTECTION

CHANGING NO. CS 001



- GENERAL NOTES:**
1. RAIL ELEMENTS, BOLTS, NUTS AND WASHERS SHALL BE HOT DIP GALVANIZED IN ACCORDANCE WITH THE REQUIREMENTS OF AASHTO M232 (ASTM A153) AND THE STANDARD SPECIFICATIONS.
 2. THE BOLTS, NUTS AND WASHERS SHALL CONFORM TO THE REQUIREMENTS OF ASTM A-307, GRADE A.
 3. POSTS, PLATE, AND MISCELLANEOUS ACCESSORIES SHALL BE GALVANIZED IN ACCORDANCE WITH ASTM-A-153.
 4. WOOD SHALL BE TREATED AND CONFORM TO THE REQUIREMENTS OF THE STANDARD SPECIFICATIONS.
 5. THREE BEAM RAIL SHALL BE HELD TO WOOD BLOCK-OUT AT ALL POSTS.
 6. BACK-UP PLATE SHALL BE BOLTED TO WOOD BLOCK-OUT ONLY AT POSTS 7 AND 8.
 7. ANCHOR INSTALLATION TYPE 2 SHALL BE PAID FOR AT THE CONTRACT UNIT PRICE PER EACH.
 8. FOR DETAILS OF GUARDRAIL AND ACCESSORIES, SEE STANDARD SD XX-12A.
 9. FOR DETAILS OF TYPE 2-2 (D-3) BUTTER BRACKET AT ANCHOR INSTALLATION TYPE 2, SEE STANDARD SD XX-12C.
 10. INSTALLATION SHALL NOT BE USED WITH A MODIFIED TYPE I & F FACED BARRIER.

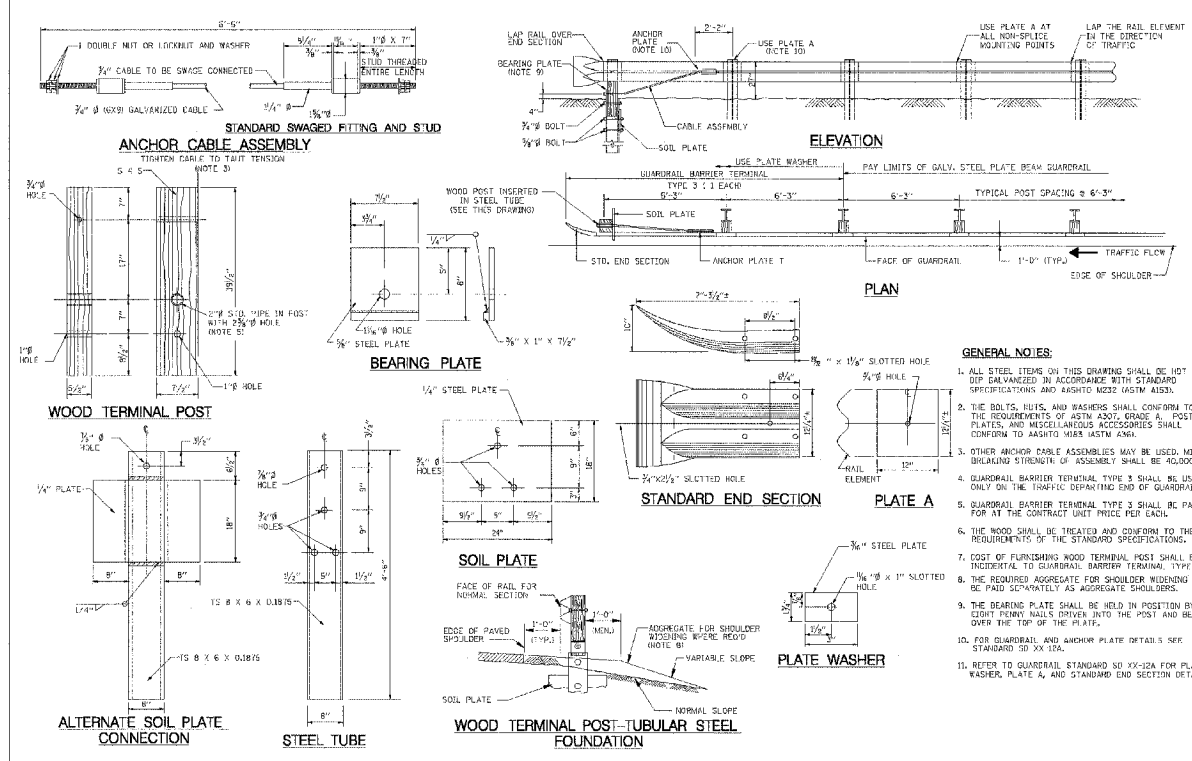
APPROVED: [Signature] DATE: 6-28-2001

CTE ENGINEERS CONSULTING ENGINEERS, INC. 8700 DODD AVENUE, DOWNERS GROVE, ILLINOIS 60515

THE ILLINOIS STATE TOLL HIGHWAY AUTHORITY 8700 DODD AVENUE, DOWNERS GROVE, ILLINOIS 60515

STANDARD SD 04-12I GUARDRAIL ANCHOR INSTALLATION TYPE 2

CHANGING NO. CS 001



- GENERAL NOTES:**
1. ALL STEEL ITEMS ON THIS DRAWING SHALL BE HOT DIP GALVANIZED IN ACCORDANCE WITH STANDARD SPECIFICATIONS AND AASHTO M232 (ASTM A153).
 2. THE BOLTS, NUTS, AND WASHERS SHALL CONFORM TO THE REQUIREMENTS OF ASTM A307, GRADE A. POSTS, PLATES, AND MISCELLANEOUS ACCESSORIES SHALL CONFORM TO AASHTO M232 (ASTM A153).
 3. OTHER ANCHOR CABLE ASSEMBLIES MAY BE USED, MINIMUM BREAKING STRENGTH OF ASSEMBLY SHALL BE 40,000 LBS.
 4. GUARDRAIL BARRIER TERMINAL TYPE 3 SHALL BE USED ONLY ON THE TRAFFIC SEPARATED END OF GUARDRAIL.
 5. GUARDRAIL BARRIER TERMINAL TYPE 3 SHALL BE PAID FOR AT THE CONTRACT UNIT PRICE PER EACH.
 6. THE WOOD SHALL BE TREATED AND CONFORM TO THE REQUIREMENTS OF THE STANDARD SPECIFICATIONS.
 7. COST OF FURNISHING WOOD TERMINAL POST SHALL BE INCIDENTAL TO GUARDRAIL BARRIER TERMINAL TYPE 3.
 8. THE REQUIRED AGGREGATE FOR SHOULDER WIDENING SHALL BE PAID SEPARATELY AS AGGREGATE SHOULDERS.
 9. THE BEARING PLATE SHALL BE HELD IN POSITION BY TWO (2) 1/2\"/>

APPROVED: [Signature] DATE: 6-28-2001

CTE ENGINEERS CONSULTING ENGINEERS, INC. 8700 DODD AVENUE, DOWNERS GROVE, ILLINOIS 60515

THE ILLINOIS STATE TOLL HIGHWAY AUTHORITY 8700 DODD AVENUE, DOWNERS GROVE, ILLINOIS 60515

STANDARD SD 04-12H GUARDRAIL BARRIER TERMINAL TYPE 3

CHANGING NO. C7 001

REVISIONS	
NAME	DATE

ILLINOIS DEPARTMENT OF TRANSPORTATION

ISTHA STANDARDS

SCALE: VERT. N/A
 HORIZ. N/A
 DATE: SEPTEMBER 14, 2005

DRAWN BY: KRL
 CHECKED BY: PDS