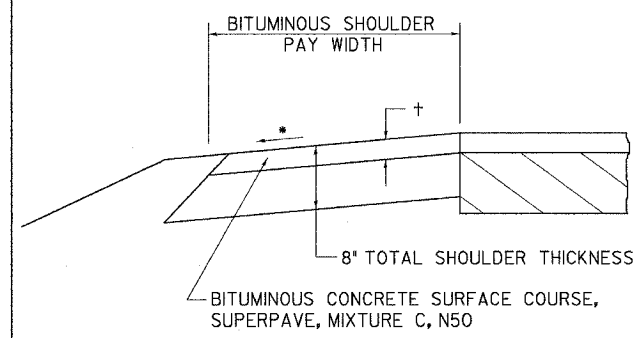


F.A.P. RTE.	SECTION	COUNTY	TOTAL SHEETS	SHEET NO.
303	I29K	WINNEBAGO	585	288
STA.		TO STA.		
FED. ROAD DIST. NO.		ILLINOIS	FED. AID PROJECT	

BITUMINOUS SHOULDER



GENERAL NOTES

THE BITUMINOUS SHOULDER SHALL BE CONSTRUCTED IN ACCORDANCE WITH SECTION 482 EXCEPT THE TOP LIFT SHALL BE BITUMINOUS CONCRETE SURFACE COURSE, SUPERPAVE, MIXTURE C, N50. THE WORK WILL BE PAID FOR AT THE CONTRACT UNIT PRICE PER TON FOR BITUMINOUS CONCRETE SURFACE COURSE, SUPERPAVE, MIXTURE C, N50, AND SQUARE YARD FOR BITUMINOUS SHOULDERS SUPERPAVE OF THE THICKNESS SPECIFIED.

USE BITUMINOUS CONCRETE SURFACE COURSE, SUPERPAVE, MIXTURE C, N50, WHEN RESURFACING EXISTING BITUMINOUS SHOULDERS. THE THICKNESS IS SHOWN ON THE TYPICAL SECTIONS. THIS WORK WILL BE PAID FOR AT THE CONTRACT UNIT PRICE PER TON FOR BITUMINOUS CONCRETE SURFACE COURSE, SUPERPAVE, MIXTURE C, N50.

REMOVAL OF MATERIAL FOR PLACEMENT OF THE BITUMINOUS SHOULDER TO BE PAID FOR IN UNITS FOR EXCAVATING AND GRADING EXISTING SHOULDERS OR IN CUBIC YARDS FOR EARTH EXCAVATION OR EARTH EXCAVATION WIDENING.

* 4% WHEN MAINLINE IS ON TANGENT. FOR CROSS SLOPE ON SUPERELEVATION SECTION, SEE HIGHWAY STANDARD 482001 OR 482006.

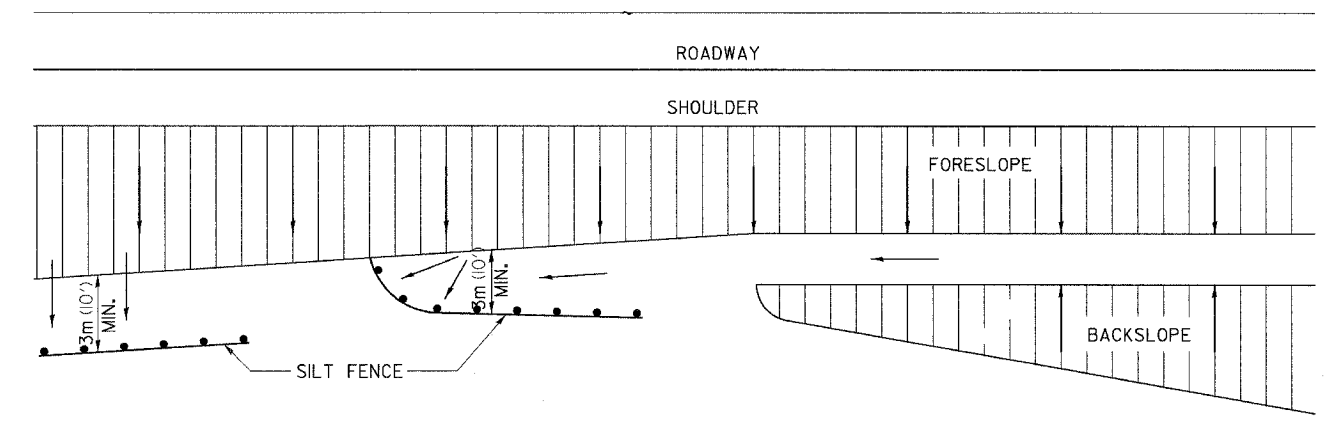
+ = SEE TYPICAL SECTIONS FOR THICKNESS

ALL DIMENSIONS ARE IN MILLIMETERS (INCHES UNLESS OTHERWISE NOTED.)

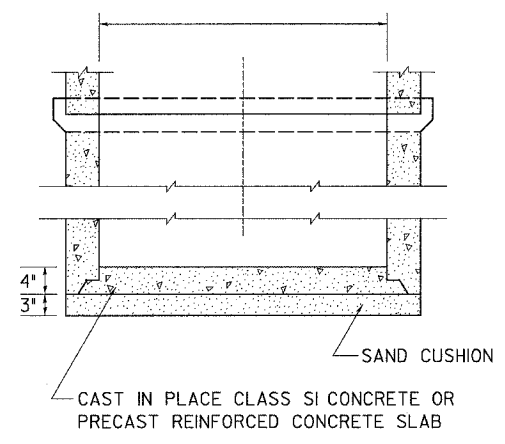
BITUMINOUS SHOULDER 23.4a

REVISED 5-30-03

EROSION CONTROL DETAILS FOR SILT FENCE



RISER FOR MEDIAN INLET

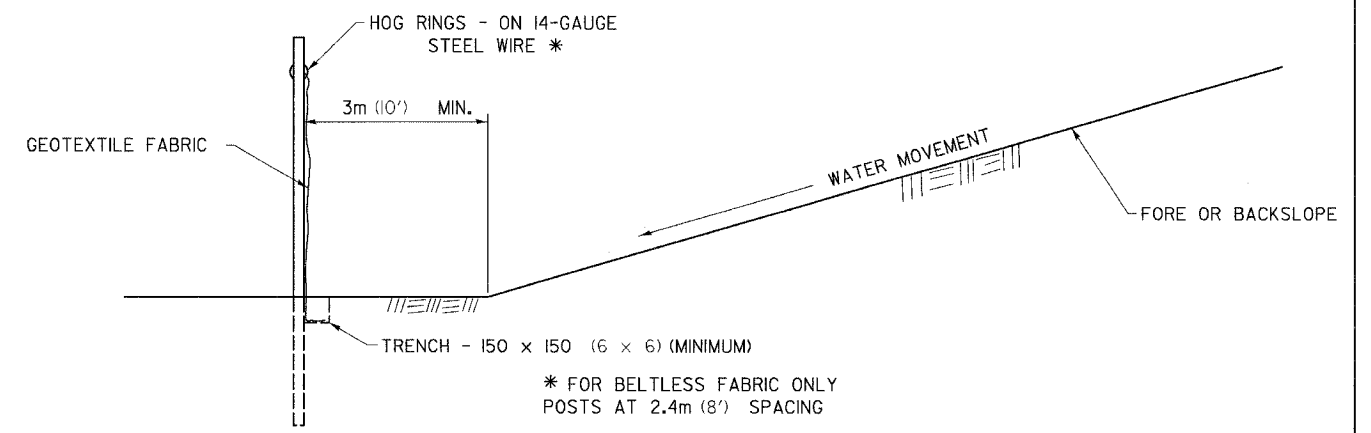


GENERAL NOTES

THE CONTRACT UNIT PRICE PER FOOT FOR PIPE CULVERT CLASS A, OF THE TYPE AND SIZE SPECIFIED SHALL INCLUDE THE SAND CUSHION AND THE CAST-IN-PLACE OR PRECAST REINFORCED CONCRETE SLAB.

CAST IN PLACE CLASS SI CONCRETE OR PRECAST REINFORCED CONCRETE SLAB

RISER FOR MEDIAN INLET 26.4



DETAILS OF SILT FENCE

* FOR BELTLESS FABRIC ONLY POSTS AT 2.4m (8') SPACING

ALL DIMENSIONS ARE IN MILLIMETERS (INCHES UNLESS OTHERWISE NOTED.)

EROSION CONTROL DETAILS FOR SILT FENCE 29.2

PLOT DATE = #DATE#
FILE NAME = #FILE#
CUT NAME = #CUT#
REFERENCE = #REF#