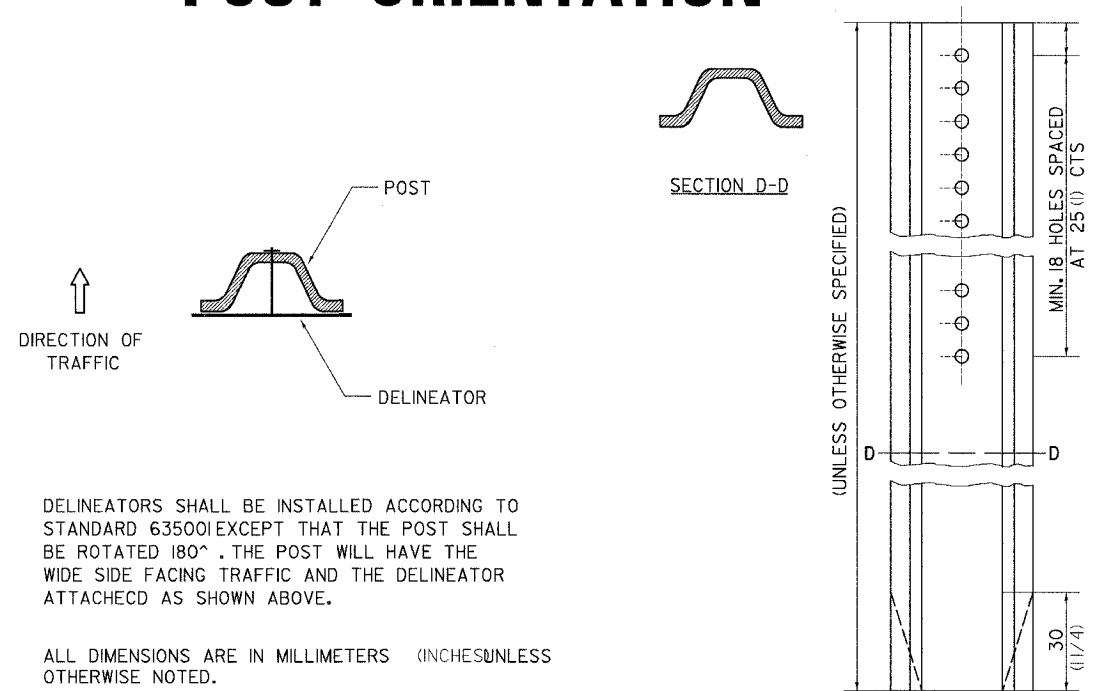


F.A.P. RTE.	SECTION	COUNTY	TOTAL SHEETS	SHEET NO.
303	I29K	WINNEBAGO	585	289
STA.		TO STA.		
FED. ROAD DIST. NO.	ILLINOIS	FED. AID PROJECT		

DELINEATOR AND POST ORIENTATION

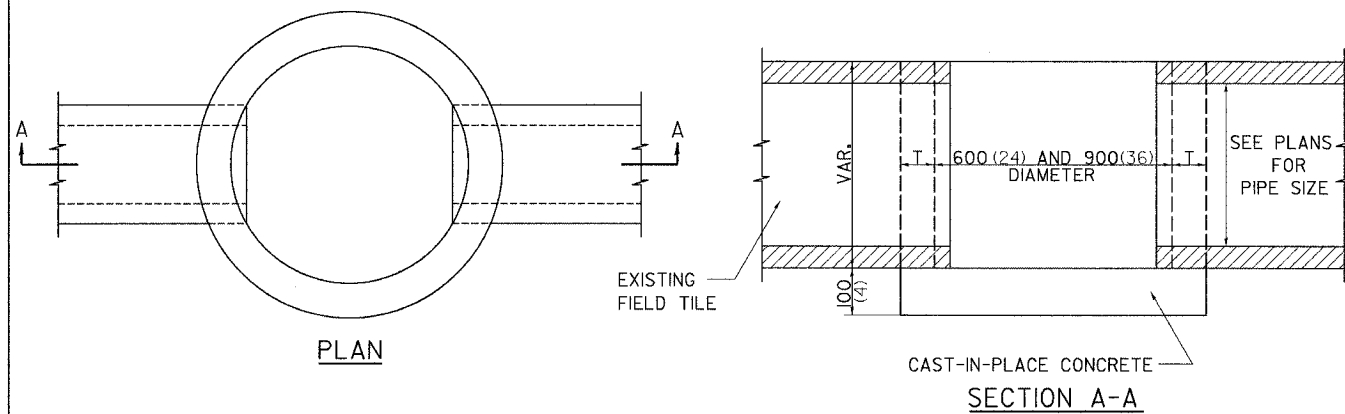
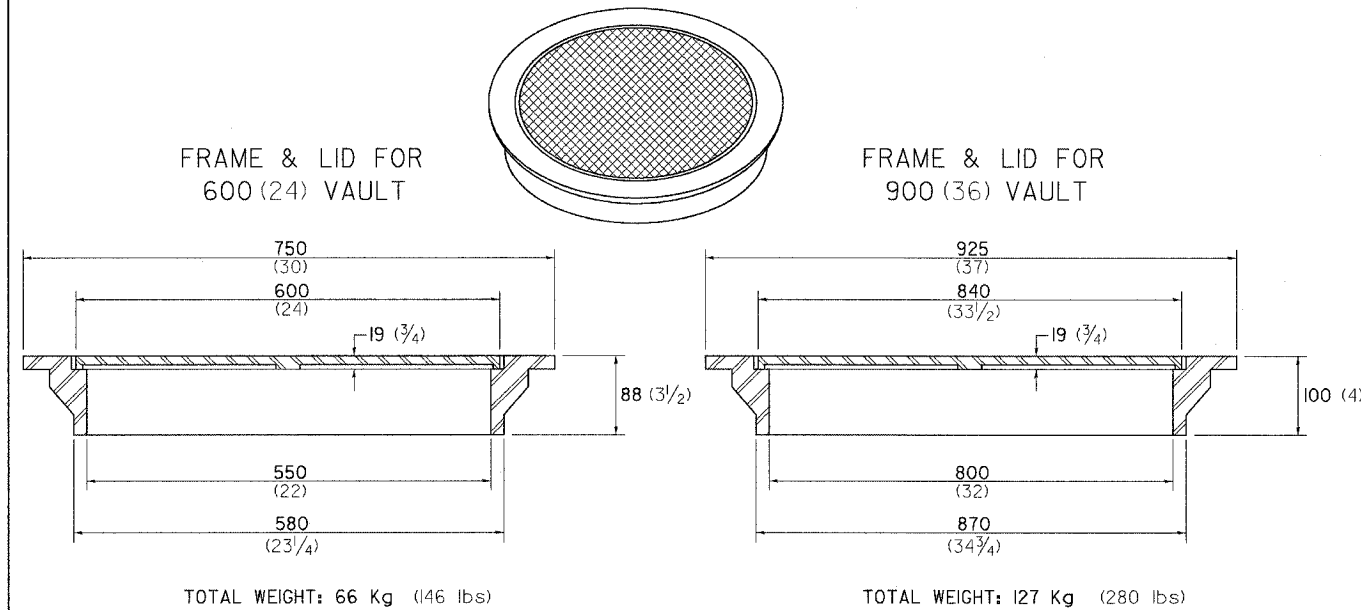


DELINEATOR AND POST ORIENTATION

37.4

REVISED 1-31-00

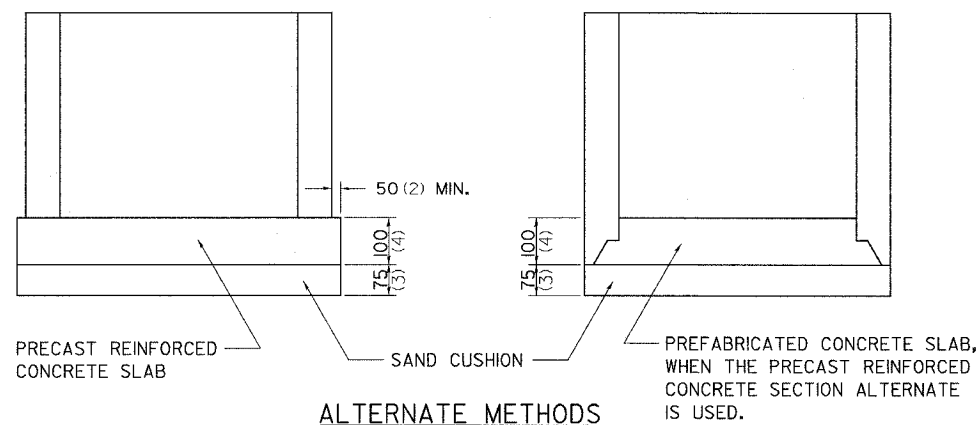
FIELD TILE JUNCTION VAULTS 600 (24) AND 900 (36) DIA.



ALTERNATE MATERIALS FOR WALLS	T
BRICK MASONRY	200 (8)
CAST-IN-PLACE CONCRETE	150 (6)
CONCRETE MASONRY UNIT	125 (5)
PRECAST REINFORCED CONCRETE SECTION	75 (3)

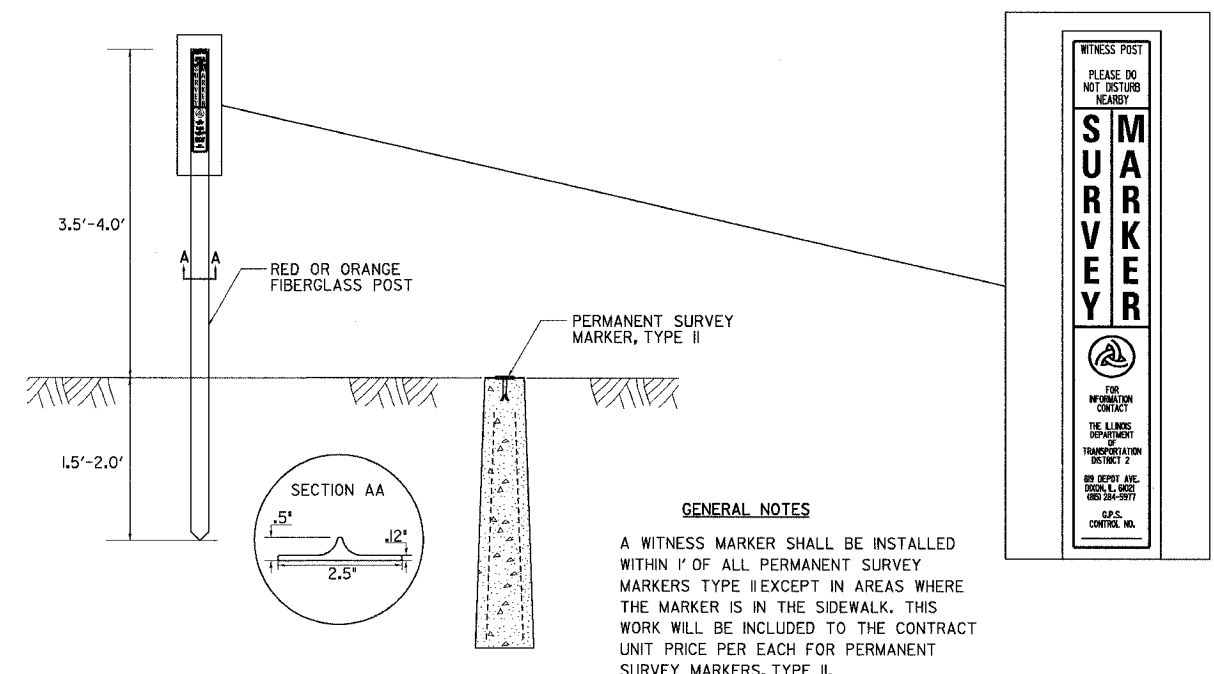
NOTE: THE FRAME AND LID IS REQUIRED ON ALL JUNCTION VAULTS.

ALL DIMENSIONS ARE IN MILLIMETERS (INCHES UNLESS OTHERWISE NOTED.)



FIELD TILE JUNCTION VAULTS 600 (24) AND 900 (36) DIA. 30.2

WITNESS MARKER FOR PERMANENT SURVEY MARKERS TYPE II



WITNESS MARKER FOR PERMANENT SURVEY MARKERS TYPE II 38.4

PLOT DATE = #DATE#
FILE NAME = #FILE#
REFERENCE = #REF#