

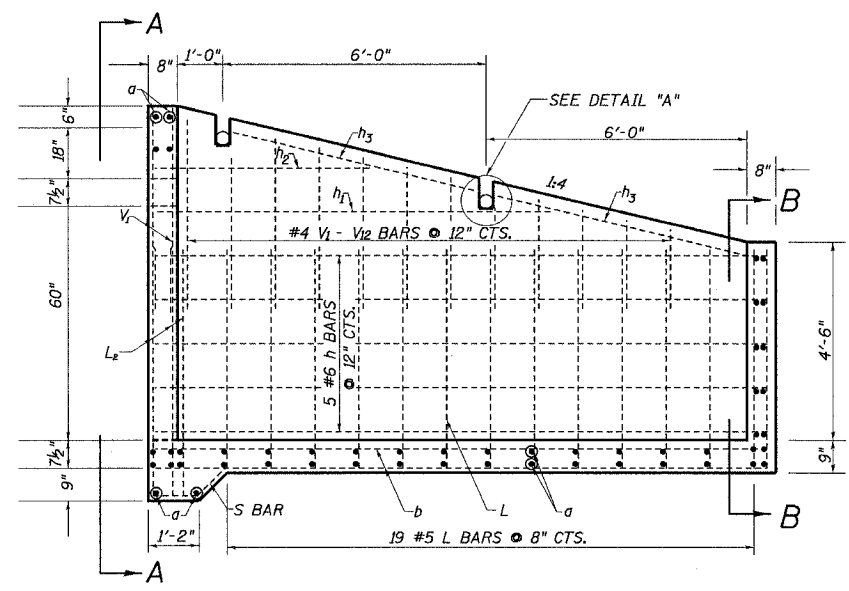
F.A.P. RTE.	SECTION	COUNTY	TOTAL SHEETS	SHEET NO.
303	129K	WINNEBAGO	585	302
STA.		TO STA.		
FED. ROAD DIST. NO.		ILLINOIS FED. AID PROJECT		

# INLET BOX SPECIAL NO. 1

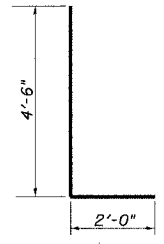
RT STA. 149 + 01.43

## BILL OF MATERIALS

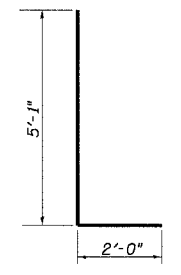
BAR	NUMBER	SIZE	LENGTH	QTY.
a	40	#5	9'-10"	410.43
b	26	#7	14'-0"	744.02
h	20	#6	14'-0"	420.56
h <sub>1</sub>	2	#6	10'-0"	30.04
h <sub>2</sub>	2	#6	6'-0"	18.02
h <sub>3</sub>	4	#6	5'-6"	33.04
h <sub>4</sub>	5	#6	9'-10"	73.85
L	51	#4	6'-6"	221.44
L <sub>1</sub>	4	#4	7'-1"	18.93
L <sub>2</sub>	14	#4	7'-7"	70.92
V <sub>1</sub> - V <sub>12</sub>	38	#4	1'-10" - 4'-7"	98.17
S	11	#4	3'-3"	23.88
TOTAL REINFORCEMENT BARS			lb	2163.30
CL SI CONC.			CU YD	11.26
3 1/2" GALV. STEEL PIPE		EACH	4 @ 13'-9" 2 @ 10'-3"	
1/2" x 4" x 14" GALV. ANCHOR PLATE		EACH	8	
5/8" x 9" GALV. BOLTS		EACH	8	
GALV. STEEL PIPE CAPS		EACH	12	
1/2" Ø GALV. EXP. BOLTS		EACH	16	
9" SQ. OR ROUND 1/4" GALV. PLATE		EACH	8	



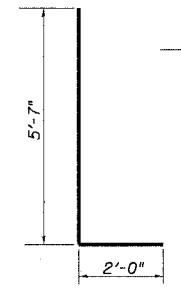
**ELEVATION**



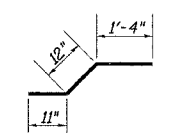
**"L" BAR**



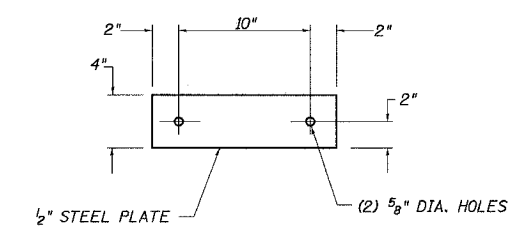
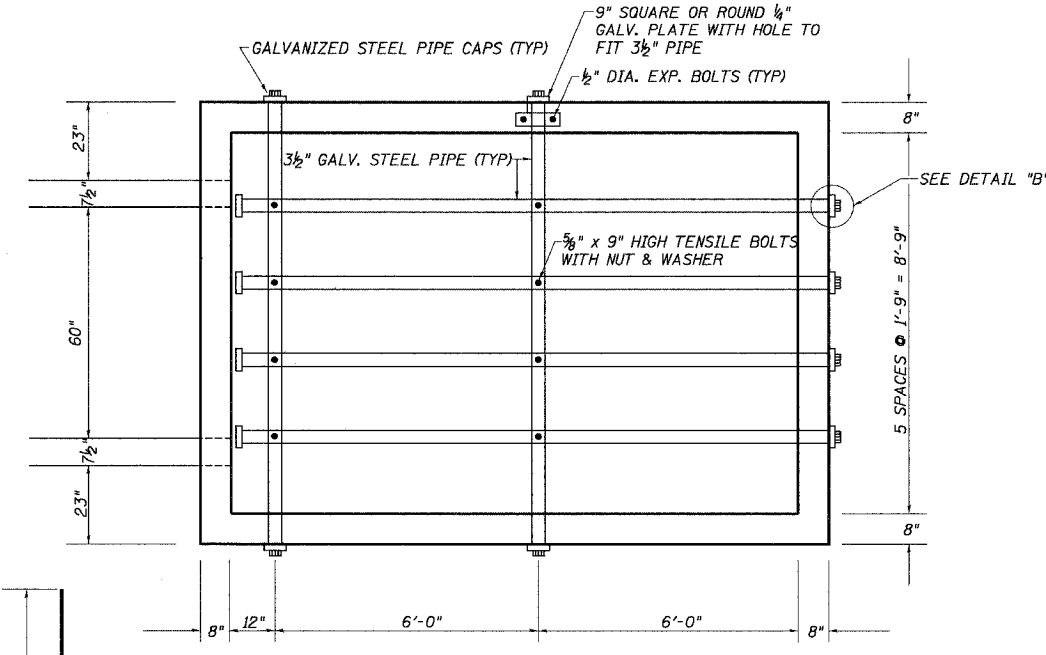
**"L1" BAR**



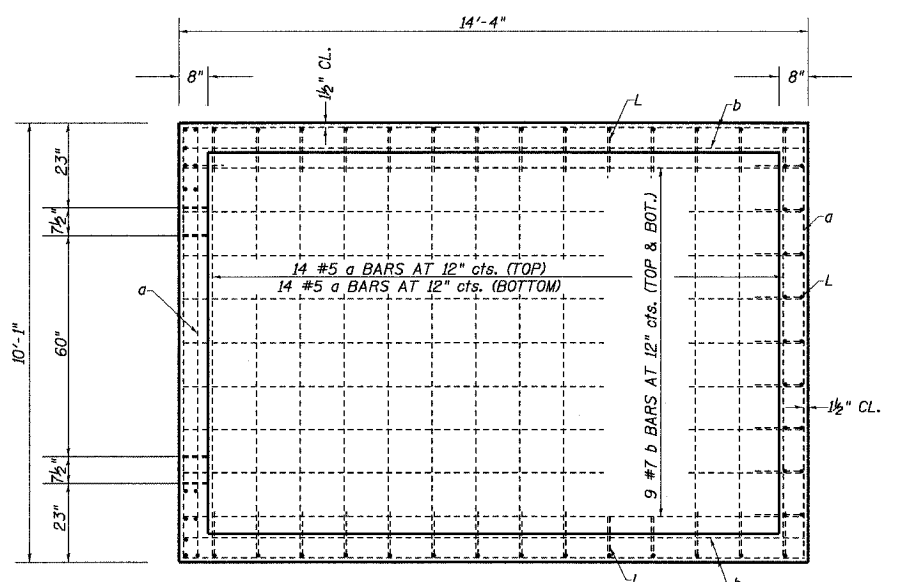
**"L2" BAR**



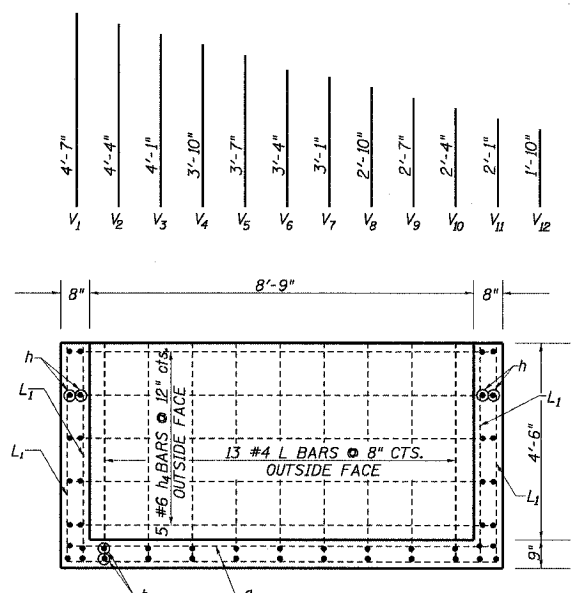
**"S" BAR**



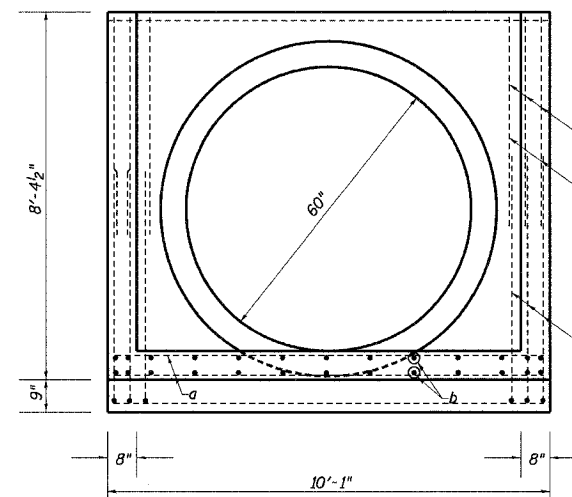
**TOP ANCHOR PLATE**



**PLAN**



**SECTION B-B**



**SECTION A-A**

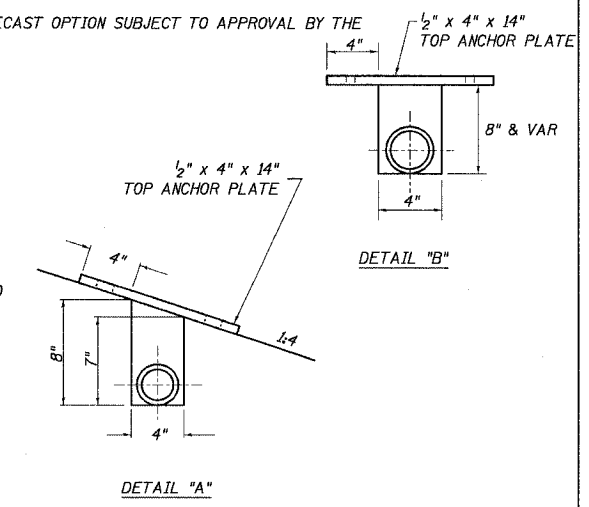
**GENERAL NOTES:**  
STEEL PIPES SHALL CONFORM TO A.S.T.M. A-53 (TYPE E OR S) GRADE B, SCHEDULE 40, & SHALL BE GALVANIZED CONFORMING TO A.S.T.M. A-120.

STEEL PLATES SHALL CONFORM TO AASHTO M-183 & SHALL BE GALVANIZED CONFORMING TO AASHTO M-111.

BOLTS, NUTS, & WASHERS SHALL BE IN ACCORDANCE WITH ARTICLE 1006.08 OF THE STANDARD SPECIFICATIONS AND SHALL BE GALVANIZED.

THE CONTRACT UNIT PRICE "EACH" FOR INLET BOX SPECIAL NO. 1 SHALL INCLUDE THE EXPANSION BOLTS, GALVANIZED PIPES, CL SI CONCRETE, BOLTS, NUTS, REINFORCEMENT, WASHERS, STEEL PLATES, EARTH EXCAVATION AND NECESSARY GRADING.

CONTRACTOR HAS PRECAST OPTION SUBJECT TO APPROVAL BY THE ENGINEER.



**DETAIL "B"**

**DETAIL "A"**