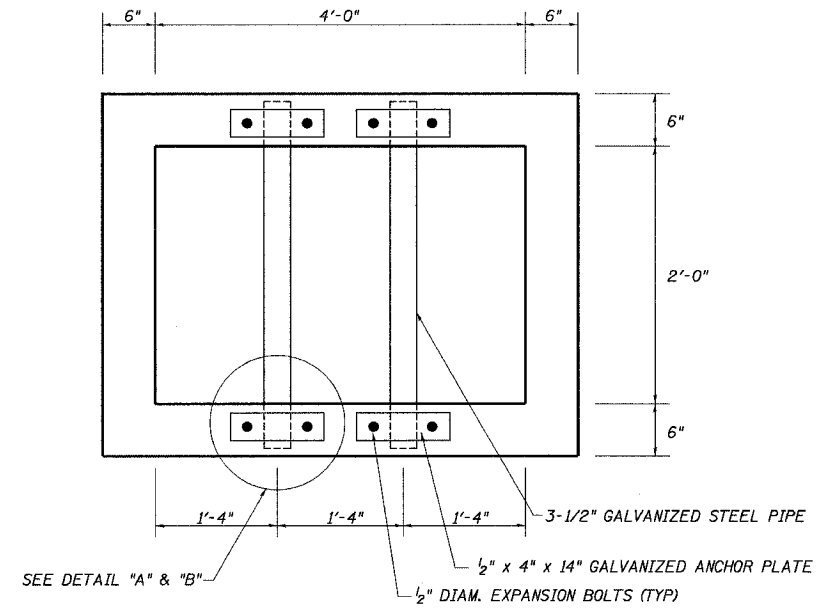


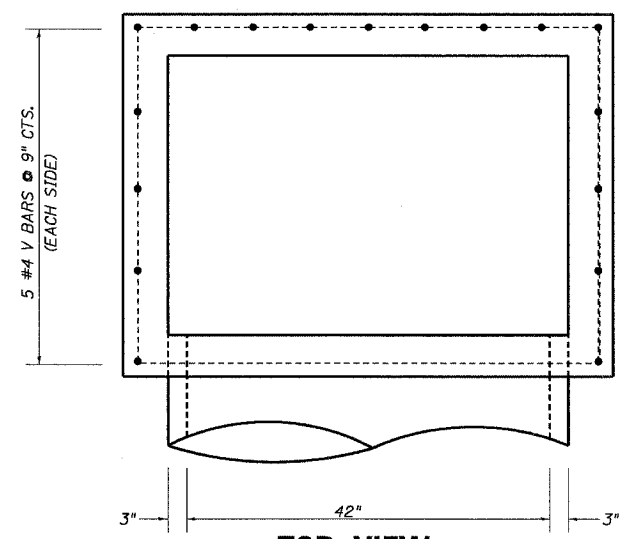
F.A.P. RTE.	SECTION	COUNTY	TOTAL SHEETS	SHEET NO.
303	129K	WINNEBAGO	585	303
STA.		TO STA.		
FED. ROAD DIST. NO.		ILLINOIS FED. AID PROJECT		

INLET BOX SPECIAL NO. 2

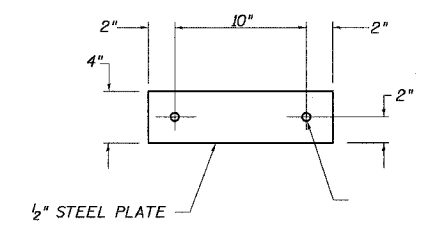
RT STA. 218 + 15.0



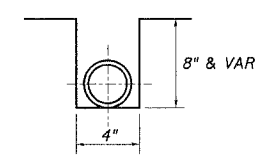
PLAN



TOP VIEW



DETAIL "A"



DETAIL "B"

BILL OF MATERIALS

BAR	NUMBER	SIZE	LENGTH	QTY.
h	16	#6	2'-8"	64.09
h ₁	10	#6	4'-8"	70.09
v	17	#4	4'-2"	47.32
TOTAL REINFORCEMENT BARS			LB	181.5
CL SI CONCRETE			CU YD	1.14
3-1/2" GALV. STEEL PIPE			EACH	2 @ 2'-8"
1/2" x 4" x 14" GALV. ANCHOR PLATE			EACH	4
1/2" Ø GALV. EXP. BOLTS			EACH	8

GENERAL NOTES:

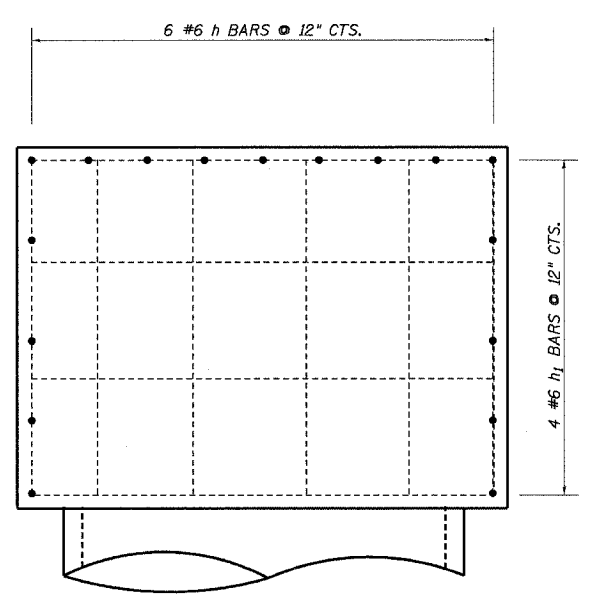
STEEL PIPES SHALL CONFORM TO A.S.T.M. A-53 (TYPE E OR S) GRADE B, SCHEDULE 40, & SHALL BE GALVANIZED CONFORMING TO A.S.T.M. A-120.

STEEL PLATES SHALL CONFORM TO AASHTO M-183 & SHALL BE GALVANIZED CONFORMING TO AASHTO M-111.

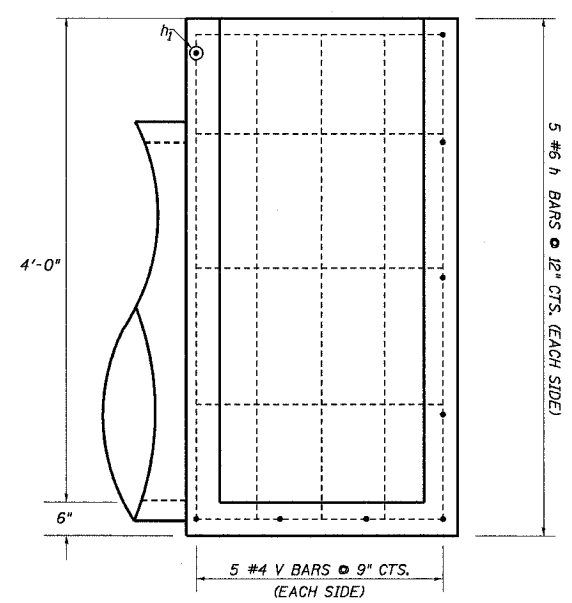
BOLTS, NUTS, & WASHERS SHALL BE IN ACCORDANCE WITH ARTICLE 1006.08 OF THE STANDARD SPECIFICATIONS AND SHALL BE GALVANIZED.

THE CONTRACT UNIT PRICE "EACH" FOR INLET BOX SPECIAL NO. 2 SHALL INCLUDE THE EXPANSION BOLTS, GALVANIZED PIPES, CL SI CONCRETE, BOLTS, NUTS, REINFORCEMENT, WASHERS, STEEL PLATES, EARTH EXCAVATION AND NECESSARY GRADING.

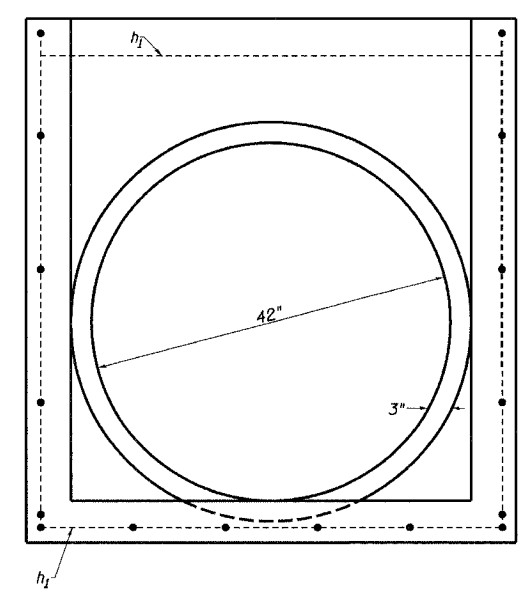
CONTRACTOR HAS PRECAST OPTION SUBJECT TO APPROVAL BY THE ENGINEER.



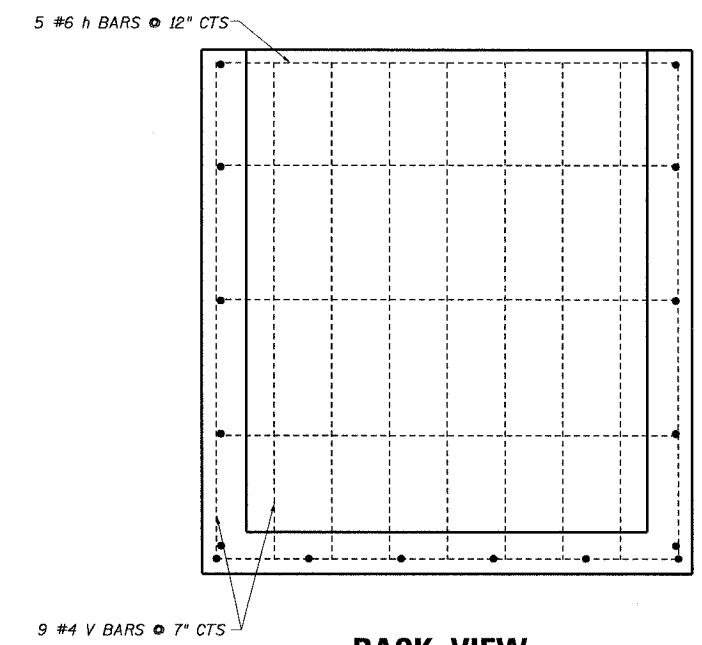
BOTTOM VIEW



SIDE VIEW



FRONT VIEW



BACK VIEW

DATE-TIME
CON-SPEC
REF
REF
REF