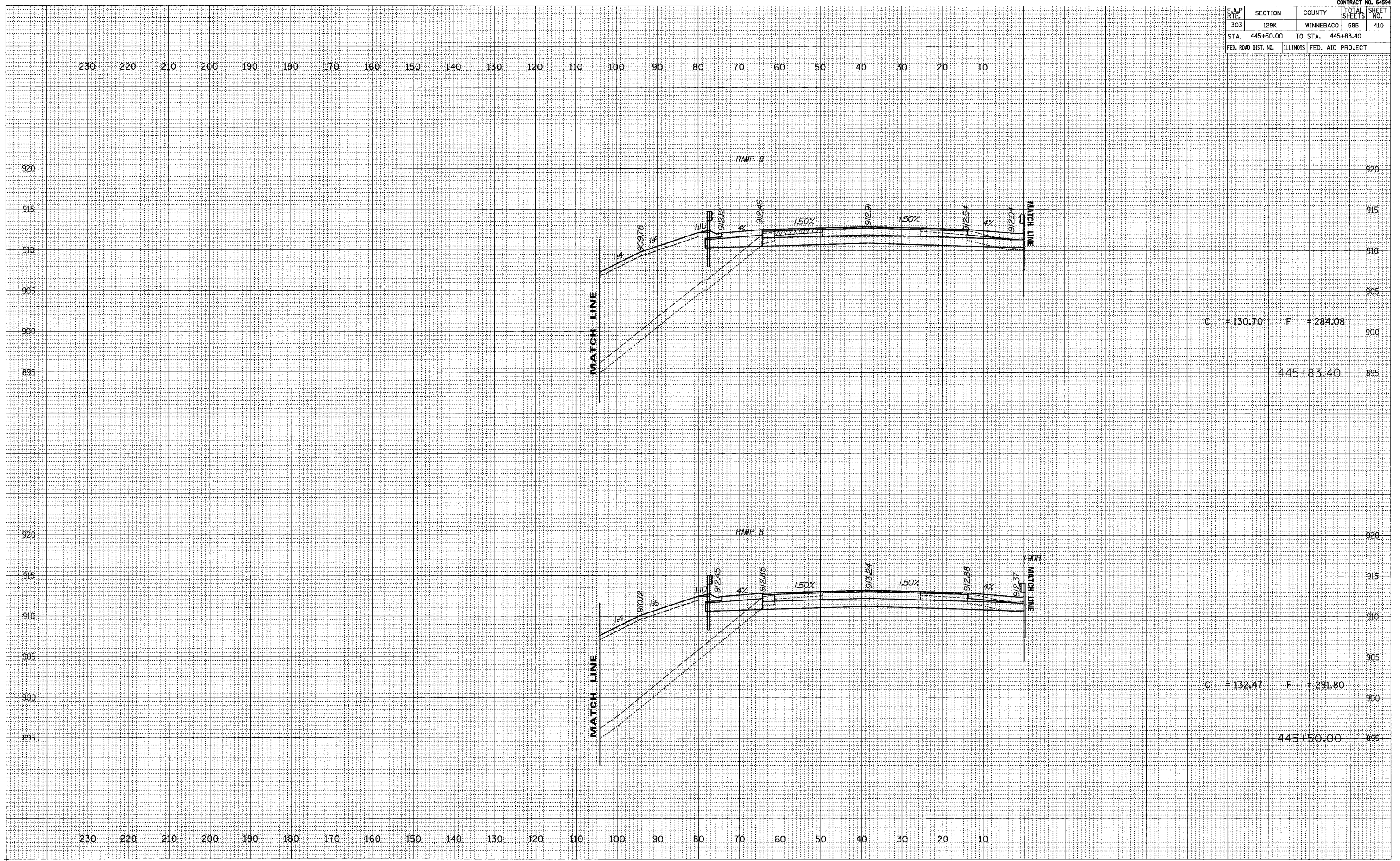


F.A.P. RTE.	SECTION	COUNTY	TOTAL SHEETS	SHEET NO.
303	129K	WINNEBAGO	585	410
STA. 445+50.00		TO STA. 445+83.40		
FED. ROAD DIST. NO.	ILLINOIS	FED. AID PROJECT		

FINAL	REVISIONS	DATE
SURVEY	PLOTTED	
NOTE BOOK	TEMPLATE	
AREAS	CHECKED	
NO.		

ORIGINAL	REVISIONS	DATE
SURVEY	PLOTTED	
NOTE BOOK	TEMPLATE	
AREAS	CHECKED	
NO.		



C = +130.70 F = +284.08

445+83.40

C = +132.47 F = +291.80

445+50.00