

F.A.P. RTE.	SECTION	COUNTY	TOTAL SHEETS	SHEET NO.
301	28-SO-M	JO DAVIESS	27	2
STA.		TO STA.		
FED. ROAD DIST. NO.		ILLINOIS FED. AID PROJECT		

GENERAL NOTES

The final top 100 mm (four inches) of soil in any right-of-way area disturbed by the contractor must be capable of supporting vegetation. The soil must be from the "A" horizon (zero to 2' deep) of soil profiles of local soils.

Drop-offs and low areas adjacent to existing sidewalks shall be eliminated with re-grading and filling with the soil described above (see detail this sheet).

Except for the top 75 mm (3"), all aggregate bases and subbases 300 mm (12") in thickness shall be constructed of aggregate gradation CA-2. If the specified thickness exceeds 300 mm (12"), the bases or subbases shall be constructed of topsize 150 mm (6") breaker-run crushed stone with 70% to 90% by weight, passing the 4" sieve and 15% to 40% by weight, passing the 50 mm (2") size sieve, except for the top 75 mm (3"). The breaker-run crushed stone shall be reasonably uniformly graded from coarse to fine and be taken from a quarry ledge capable of producing class "D" quality aggregate. The top 75 mm (3") shall be gradation CA-6 or CA 10 regardless of thickness. The water necessary to achieve compaction in all but the top 75 mm (3") layer may be added after the subbase or base course is placed on the grade.

The contractor will be required to furnish 140 mm (5 1/2") high brass stencils as approved by the engineer and install stationing at 250' intervals. Stationing shall be placed on both lanes of 2-lane highways and on the outside lanes in both directions on 4-lane highways. The stations shall be placed 150 mm (6") inside the pavement marking edge so they can be read from the shoulder. This work will be included in the cost of the final pavement surface.

All proposed sidewalk shall be reinforced with 6 x 6 - W1.4 x W1.4 welded wire fabric. Any existing sidewalk contraction joints or butt joints that have 1/2" or greater openings shall be filled with preformed expansion joint filler in accordance with Article 1051 of the Standard Specifications.

All new sidewalk shall be tied to existing sidewalk with #4 bars at 12" centers drilled 6" deep.

The exact locations of the proposed trees are to be coordinated with the District Landscape Architect prior to planting.

Each tree shall receive a five foot diameter of shredded mulch, five inches thick with landscape fabric. This shall be included in the unit price for tree planting. Planting shall be in accordance with the Standard Specifications.

Mulch around the building with five cubic yards of mulch with landscape fabric. The mulch shall be four inches thick. On the east side of the building approximately four inches of existing soil shall be removed to accommodate the mulch. The mulch and soil removal shall be included in the bid price for tree planting.

Contractor shall take care to not damage existing trees in any manner. If, in the opinion of the Engineer, the Contractor is harming the trees, the Contractor shall (at their own expense) fence or stake around trees and root base to protect the trees.

The contractor shall be responsible for protecting utility property during construction operations as outlined in article 107.31 of the standard specifications. A minimum of 48 hours advance notice is required for non-emergency work. The JULIE number is 800-892-0123. The following listed utilities located within the project limits or immediately adjacent to the project construction limits are members of JULIE:

None listed

Following are the known utilities located within the project limits or immediately adjacent to the project construction limits which are not members of JULIE and should be notified individually by the contractor:

Highway Lighting Dennis Schultz IDOT District 2
(815) 284-5301 819 Depot Ave
Dixon, IL 61021

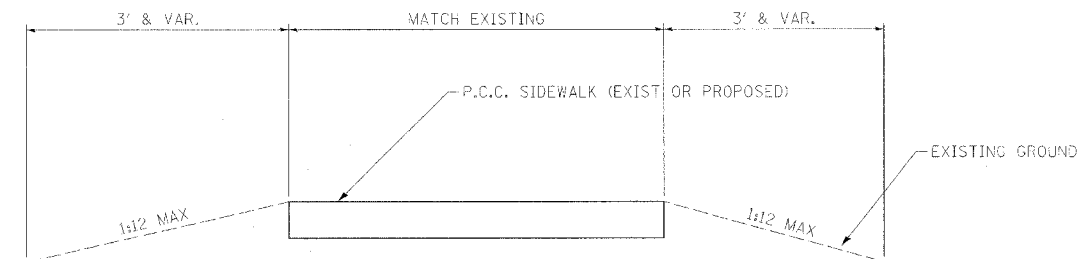
CADD data will be available to contractors and consultants working on this project. This information will be provided upon request as Microstation CADD files and Geopak coordinate geometry files only. If data is required in other formats it will be the contractor's responsibility to make these conversions. If any discrepancy or inconsistency arises between the electronic data and the information on the hard copy, the information on the hard copy should be used. Contact the district's project engineer to request these files.

All surplus material, including millings, shall be disposed of by the contractor according to Art. 202.03.

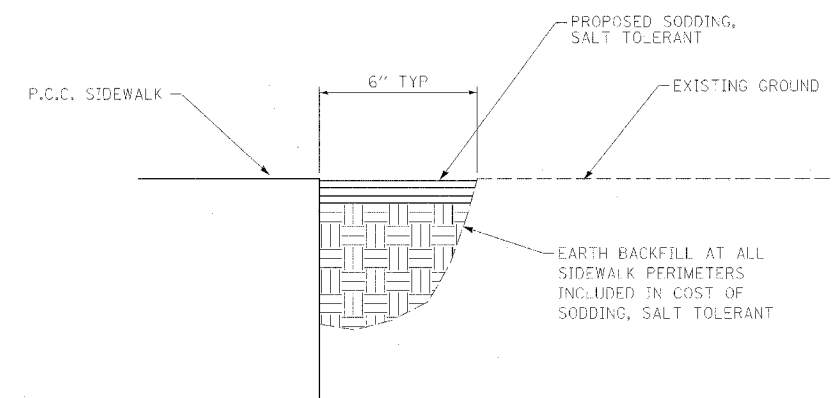
COMMITMENTS

There were no commitments made during the design phase of this project.

Mixture Uses(s):	Bit Mix Complete		
PG:	PG 58-22		
RAP%: (Max)	15%		
Design Air Voids	3.0% @ N50		
Mixture Composition (Gradation Mixture)	3/8" OR 1/2"		
Friction Aggregate	C		
20 Year ESAL			



EARTH SLOPES AT SIDEWALKS



EARTH BACKFILL AT SIDEWALKS

PLOT DATE = 8/12/05
FILE NAME = 2139906EN.dgn
PLOT SCALE = AS SHOWN
REFERENCE = REF#

ILLINOIS DEPARTMENT OF TRANSPORTATION

GENERAL NOTES

REVISIONS	
NAME	DATE

SCALE: VERT.
 HORIZ.

DRAWN BY SAM
CHECKED BY RJA