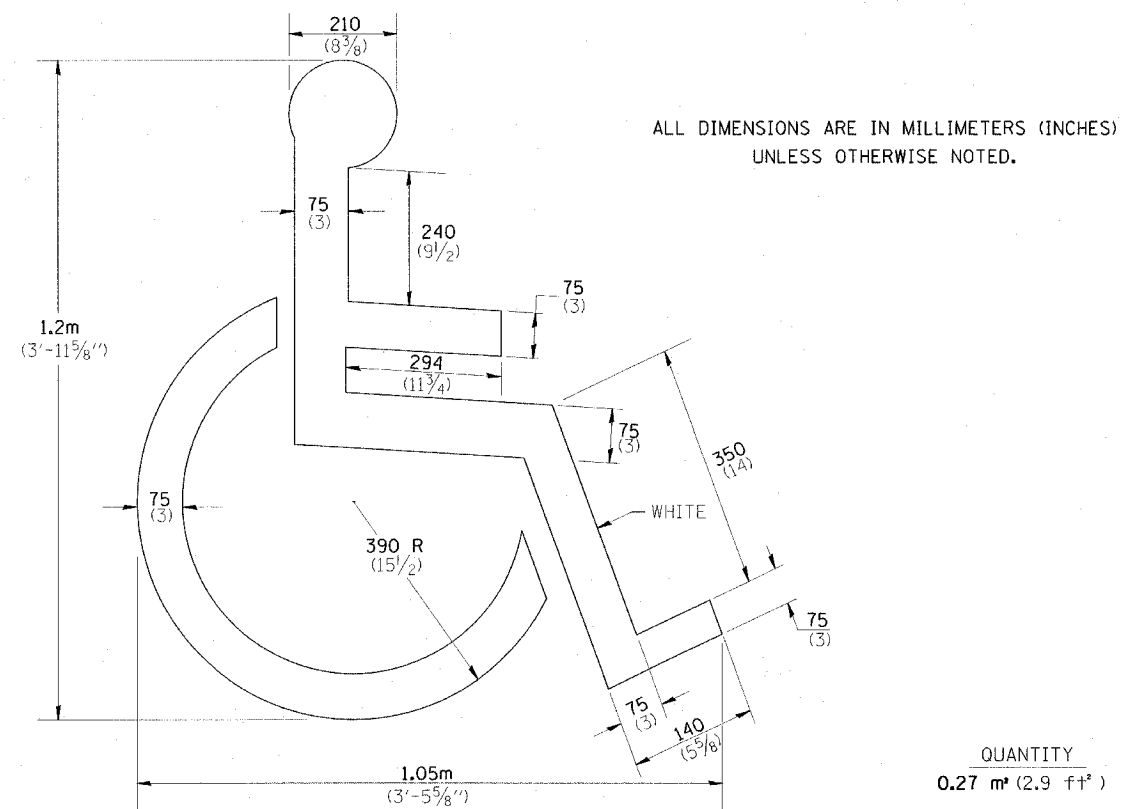
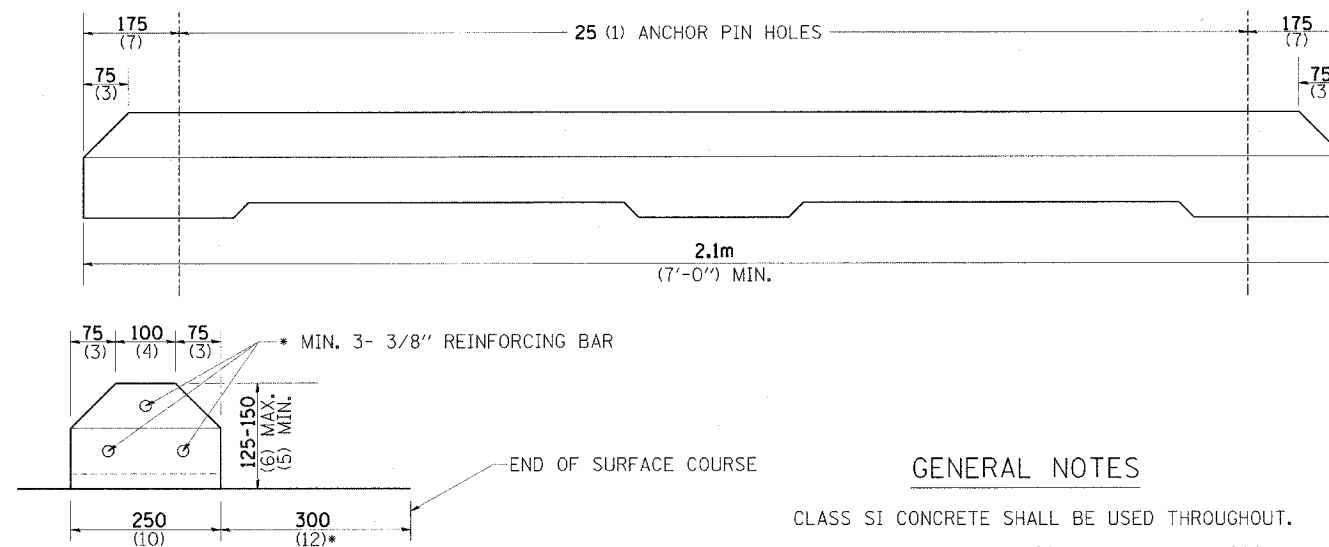


F.A.P. RTE.	SECTION	COUNTY	TOTAL SHEETS	SHEET NO.
301	28-50-M	JO DAVIESS	27	14
STA.		TO STA.		
FED. ROAD DIST. NO.	ILLINOIS	FED. AID PROJECT		



**DISABLED SYMBOL**

QUANTITY  
0.27 m<sup>2</sup> (2.9 ft<sup>2</sup>)

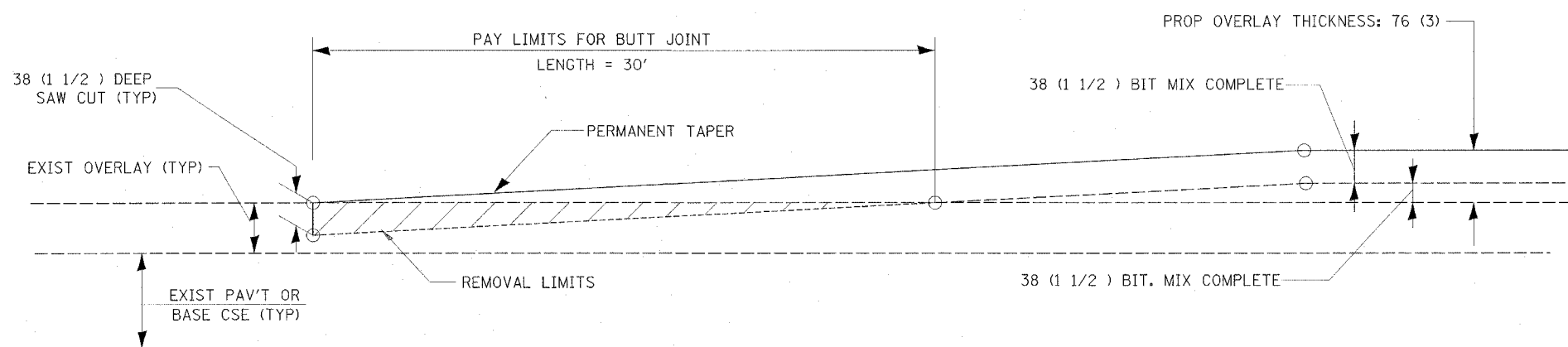


\* OR AS DIRECTED BY THE ENGINEER.

**GENERAL NOTES**

- CLASS SI CONCRETE SHALL BE USED THROUGHOUT.
- ANCHOR PINS SHALL BE 20 (3/4) DIAMETER, 900 (36) LONG.
- THE COST OF THE MATERIAL, LABOR AND EQUIPMENT NECESSARY TO INSTALL THE PARKING BLOCKS WITH ANCHOR PINS SHALL BE INCLUDED IN THE CONTRACT UNIT PRICE PER EACH FOR PARKING BLOCKS.
- ALL DIMENSIONS ARE IN MILLIMETERS (INCHES) UNLESS OTHERWISE NOTED.

**PARKING BLOCKS**



**BUTT JOINT DETAIL**

**GENERAL NOTES**

- THE WORK SHALL BE DONE IN ACCORDANCE WITH ARTICLE 406.18
- THE SAW CUT JOINTS SHALL BE PRIMED JUST PRIOR TO THE PLACING OF BITUMINOUS MATERIAL. THE WORK WILL BE IN ACCORDANCE WITH THE APPLICABLE PORTIONS OF ARTICLE 406.06.

PLOT DATE = #DTE#  
FILE NAME = #FILE#  
PLOT SCALE = #SCALE#  
REFERENCE = #REF#

ILLINOIS DEPARTMENT OF TRANSPORTATION

**CONSTRUCTION DETAILS**

REVISIONS	
NAME	DATE

SCALE: VERT.  
HORIZ.  
DATE

DRAWN BY  
CHECKED BY RJA