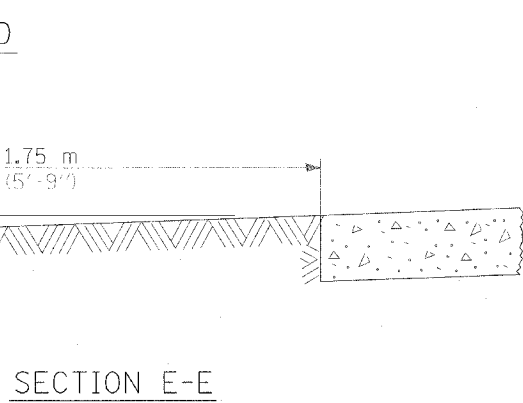
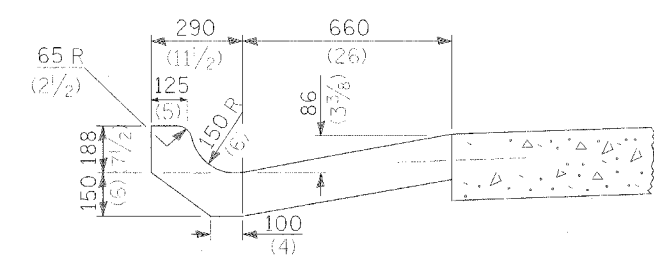
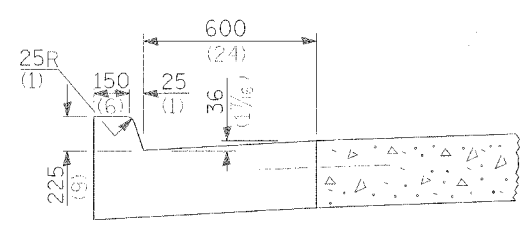
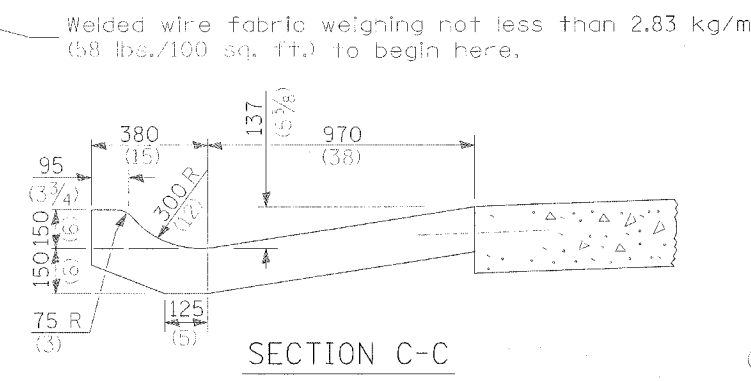
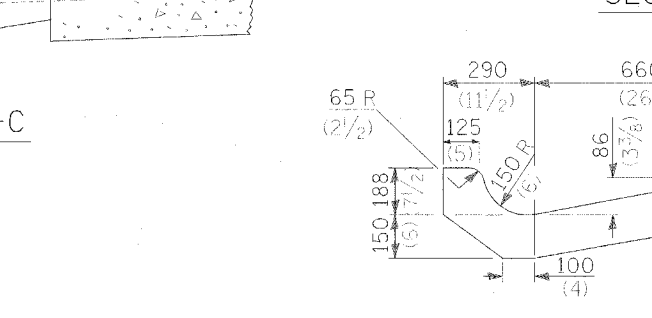
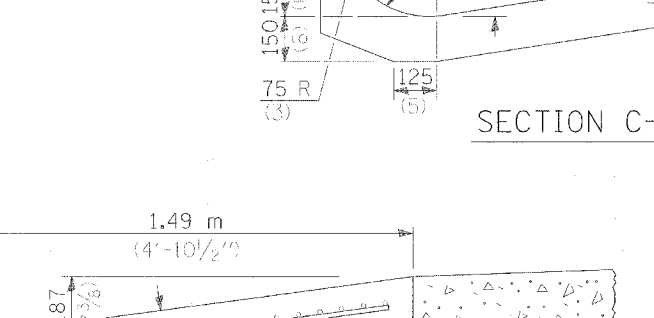
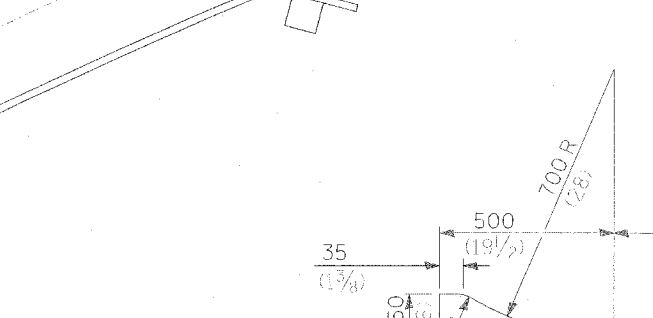
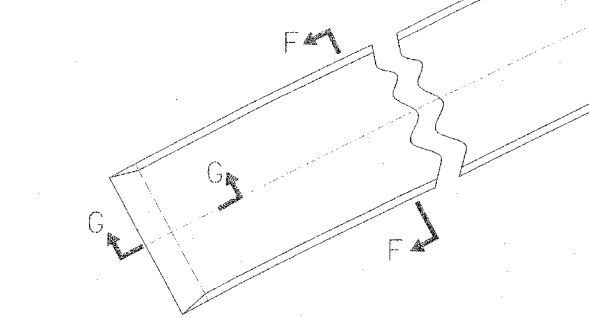
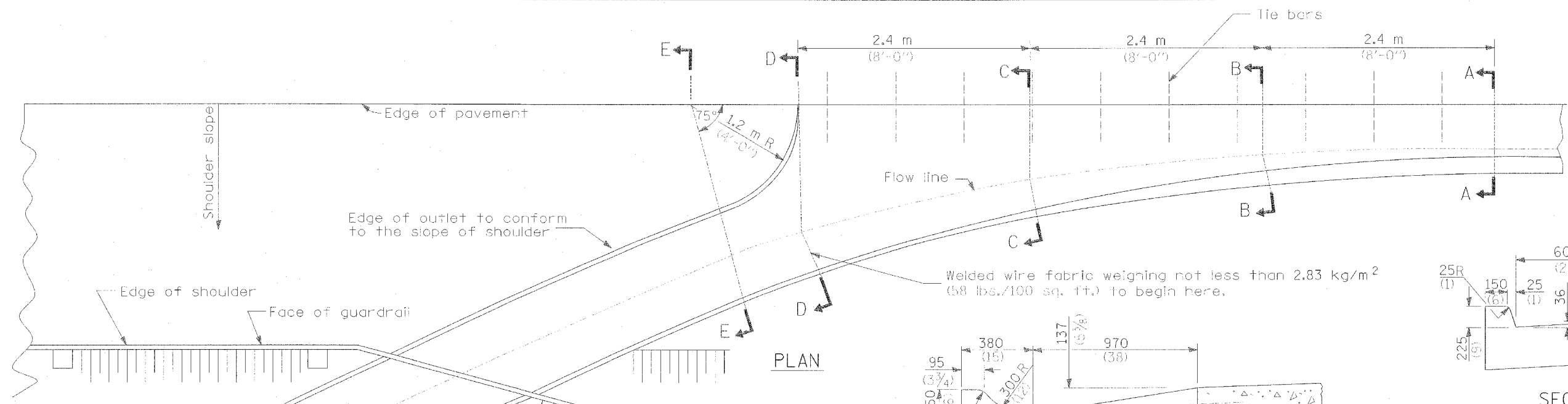


F.A.P. RTE.	SECTION	COUNTY	TOTAL SHEETS	SHEET NO.
301	28-SO-M	JO DAVIESS	27	16
STA.	TO STA.			
FED. ROAD DIST. NO.	ILLINOIS	FED. AID PROJECT		



QUANTITIES

For Section A-A to E-E and curtain wall =

1.82 m³ (2.38 cu. yds.) concrete for (225 (9) pav't.)

1.84 m³ (2.41 cu. yds.) concrete for (250 (10) pav't.)

For Section F-F =

.17 m³ (0.069 cu. yds.) concrete per m (ft.)

OUTLETS FOR CONC. CURB AND GUTTER TYPE B-9.24

GENERAL NOTES

- Tie bars shall be No. 20 (No. 6) at 600 mm (24") centers unless otherwise shown.
- Gutter outlet shall be tied to the pavement in accordance with details for longitudinal construction joint shown on Standard 420001.
- If the average grade of pavement for the distance from Section A-A to D-D exceeds 2%, this distance shall be increased 1.8 m (6 feet) for each 1% increase in grade.
- All dimensions are in millimeters (inches) unless otherwise shown.

REVISIONS	
NAME	DATE

ILLINOIS DEPARTMENT OF TRANSPORTATION

CONSTRUCTION DETAILS

SCALE: VERT. _____
 HORIZ. _____
 DATE _____

DRAWN BY: SAM
 CHECKED BY: RJA

PLOT DATE = 8/12/2006
 FILE NAME = REFLETS
 PLOT SCALE = 1:1
 REFERENCE = REF