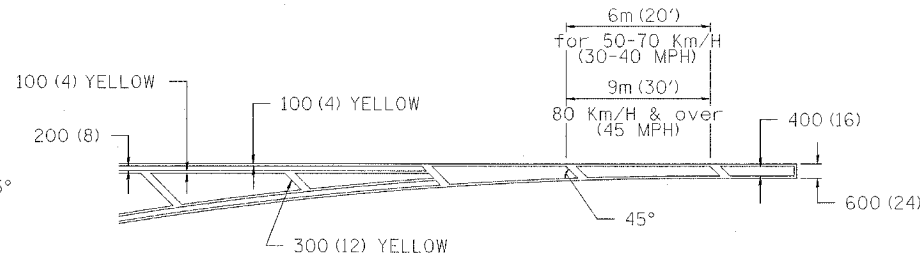
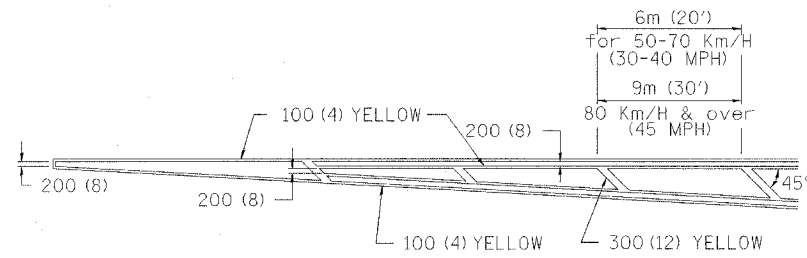
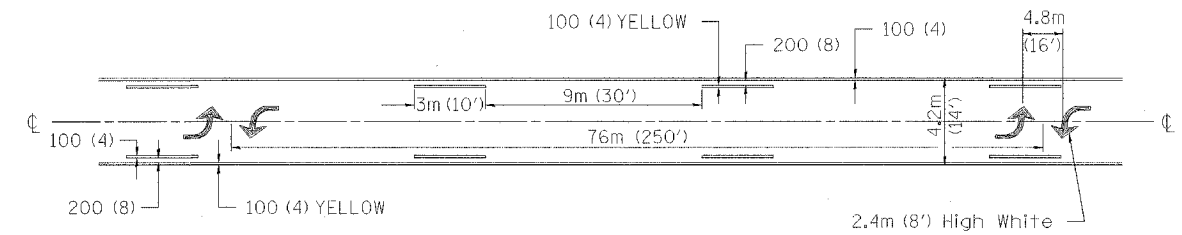


F.A.P. RTE.	SECTION	COUNTY	TOTAL SHEETS	SHEET NO.
301	28-S0-M	JO DAVIESS	27	18
STA.	TO STA.			
FED. ROAD DIST. NO.	ILLINOIS	FED. AID PROJECT		

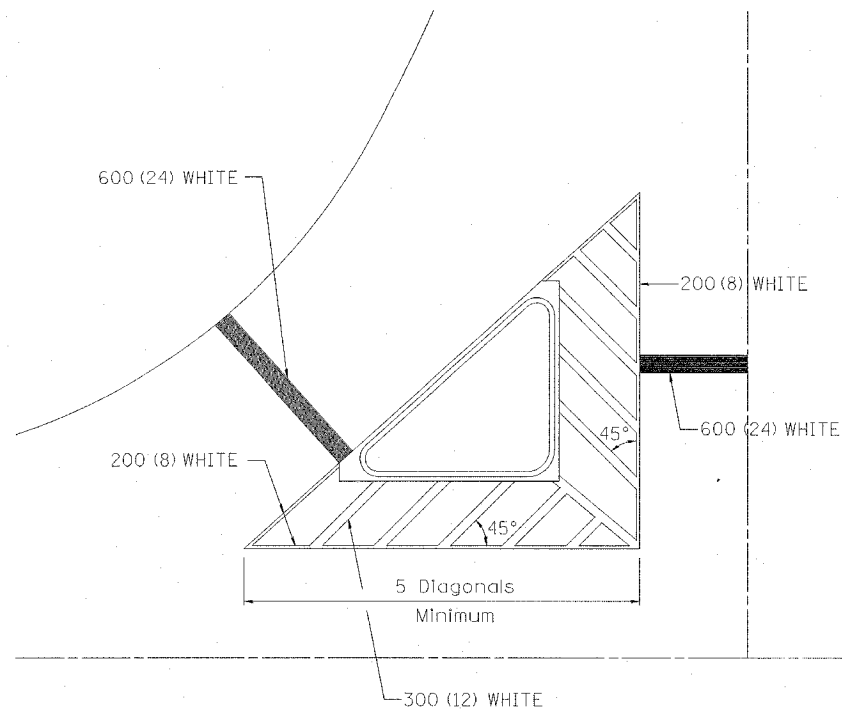
TYPICAL PAVEMENT MARKING FOR FLUSH MEDIAN



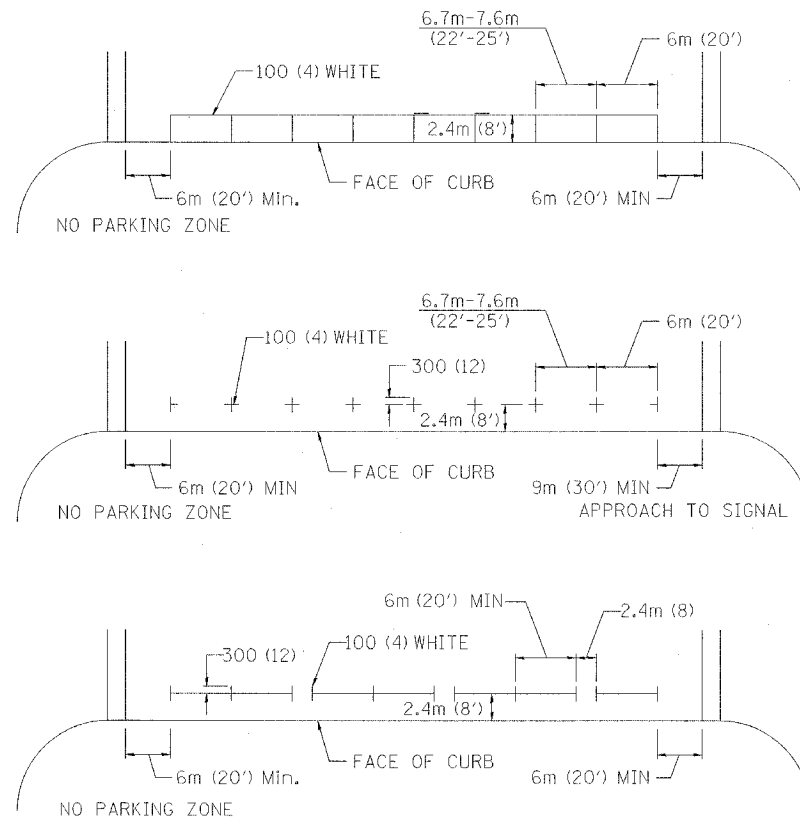
MEDIAN PAVEMENT MARKING



TYPICAL ISLAND OFFSET SHOULDER WIDTH

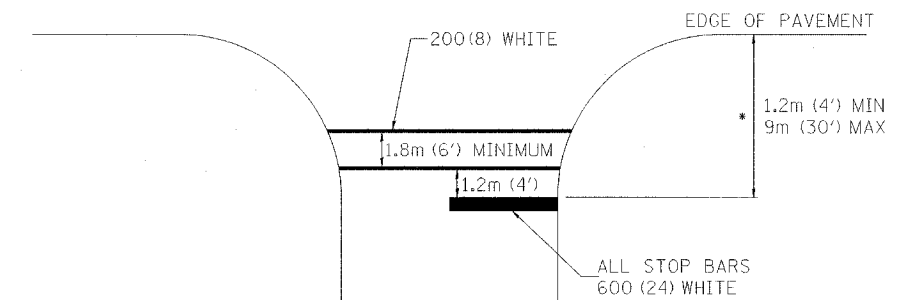


TYPICAL PARKING SPACING



** ALL DIMENSIONS ARE IN MILLIMETERS (INCHES) UNLESS OTHERWISE NOTED.

STANDARD CROSSWALK MARKING
SEE PLANS FOR LOCATIONS



* DISTANCE TO THE NEAREST EDGE OF THE INTERSECTING ROADWAY IN THE ABSENCE OF MARKED CROSSWALK.

TYPICAL PAVEMENT MARKINGS

PLOT DATE = 8/12/05
FILE NAME = 28-S0-M
PLOT SCALE = AS SHOWN
REFERENCE = 28-S0-M

ILLINOIS DEPARTMENT OF TRANSPORTATION

CONSTRUCTION
DETAILS

REVISIONS	
NAME	DATE

SCALE: VERT.
HORIZ.
DATE

DRAWN BY
CHECKED BY
RJA