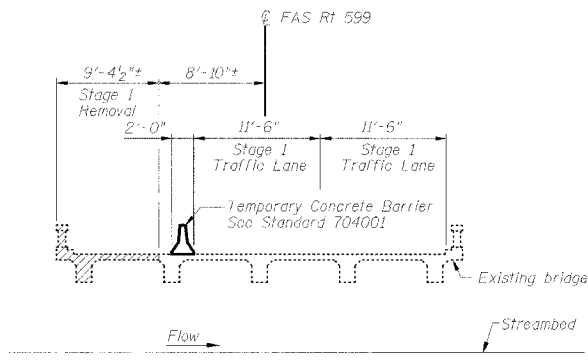


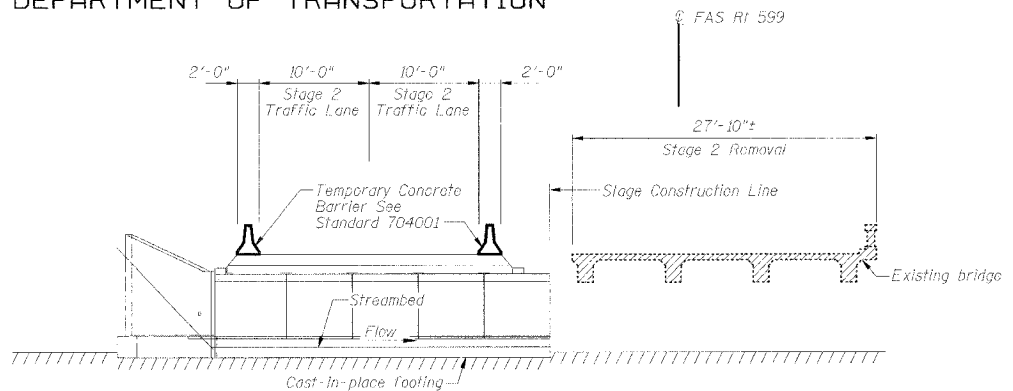
STATE OF ILLINOIS
DEPARTMENT OF TRANSPORTATION

Sheet No. 2
of 7 Sheets

ROUTE NO.	SECTION	COUNTY	TOTAL SHEETS	SHEET NO.
FAP 599	42	ROCK ISLAND	90	36
FED. ROAD DIST. NO.	ILLINOIS PROJECT	CONTRACT NO. 64641		
*42 MFT-BR				

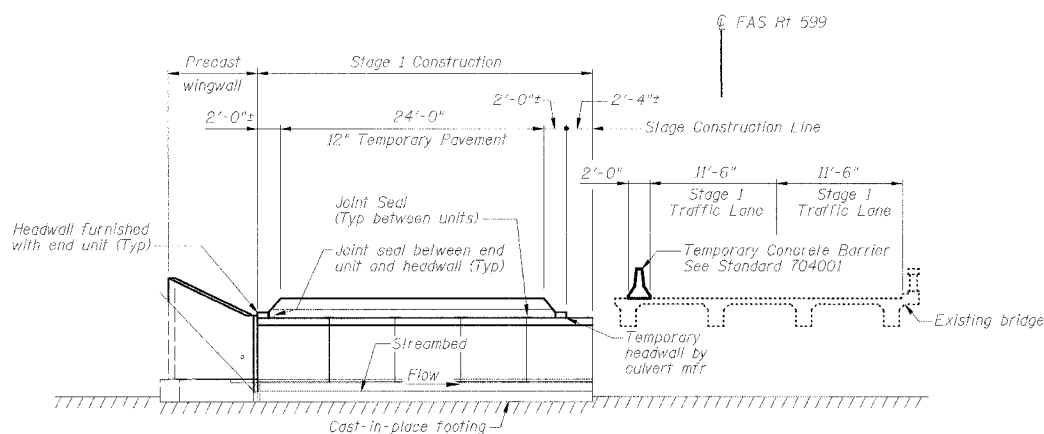


STAGE 1 REMOVAL
(Looking Upstation)

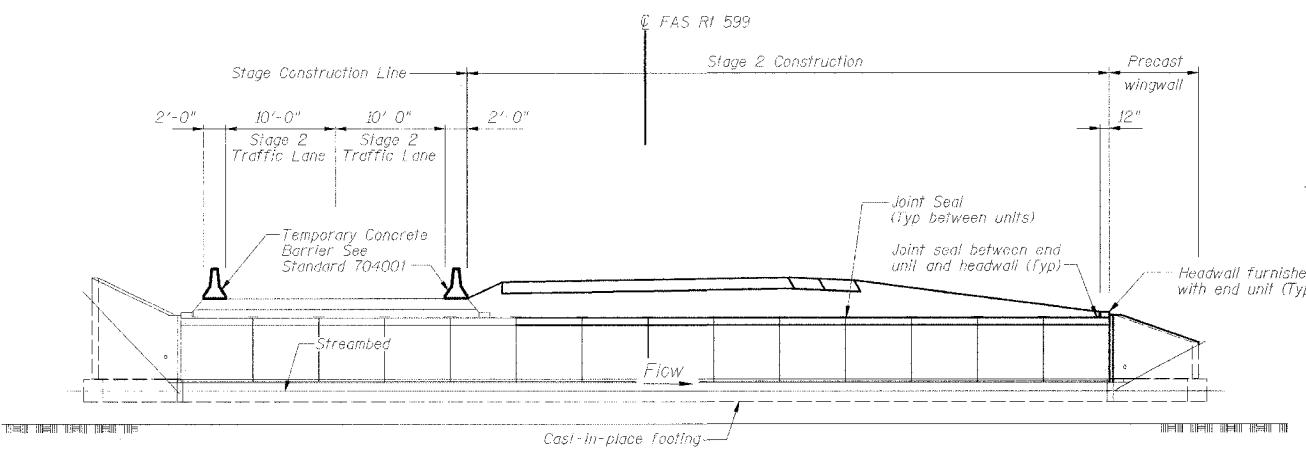


STAGE 2 REMOVAL
(Looking Upstation)

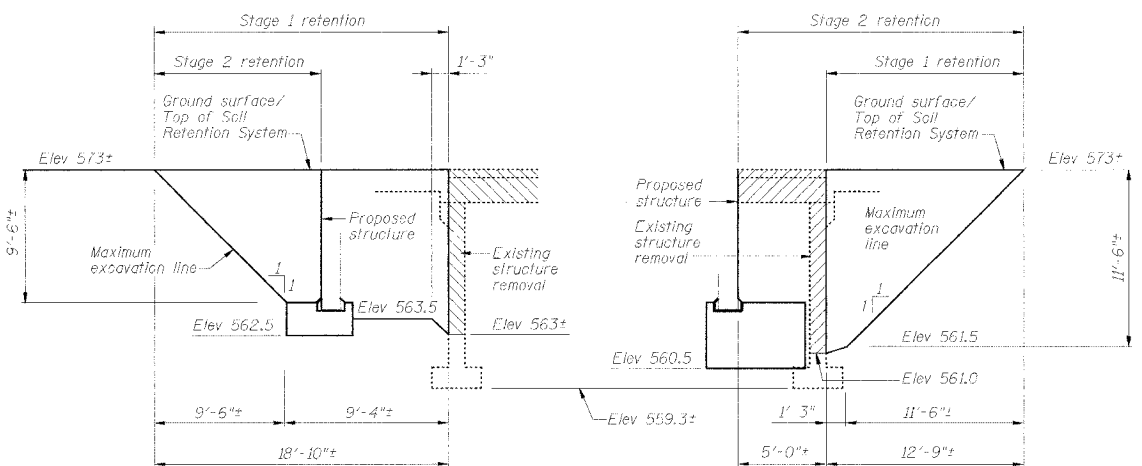
- NOTES**
1. For quantity and location of Temporary Concrete Barrier see Roadway Plans.
 2. Hatched area indicates Removal of Existing Structure.
 3. Horizontal dimensions are at right angles to \odot Roadway.
 4. Stage 3 omitted. No work performed at structure during Stage 3. See Maintenance of Traffic Plans for Stage 3 details.



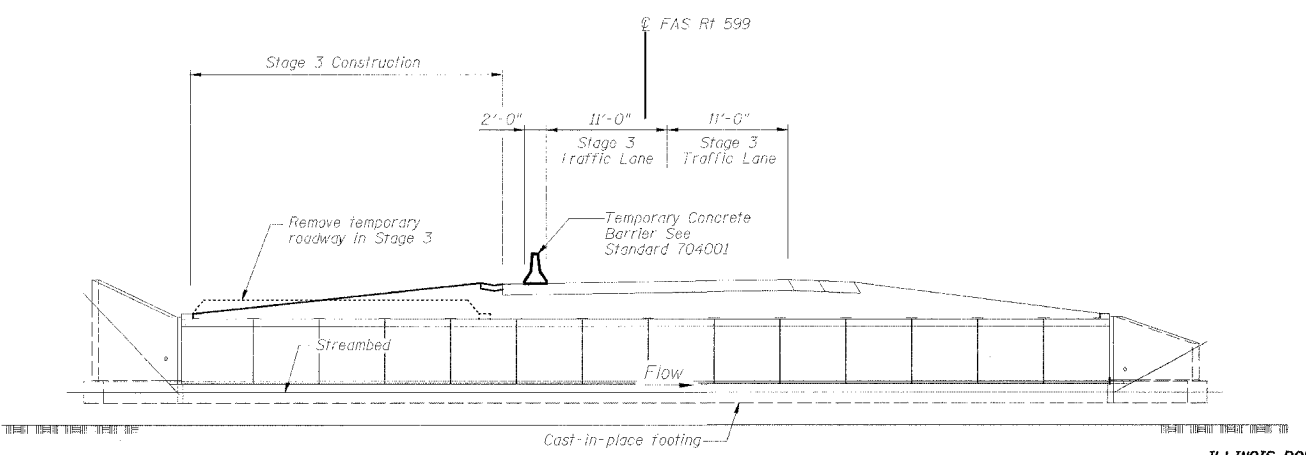
STAGE 1 CONSTRUCTION
(Looking Upstation)



STAGE 2 CONSTRUCTION
(Looking Upstation)



TEMPORARY SOIL RETENTION DETAILS
(Slope and horizontal dimensions are measured parallel to \odot Roadway)
A cantilevered sheet piling design does not appear feasible and additional members or other retention systems may be necessary. The Contractor shall submit a temporary soil retention system design including plan details and calculations for review and approval by the Engineer. Approval requires 4 to 6 weeks.



STAGE 4 CONSTRUCTION
(Looking Upstation)

ILLINOIS ROUTE 92 OVER AN UNNAMED DITCH

CONSTRUCTION STAGING

REVISIONS	STATE OF ILLINOIS DEPARTMENT OF TRANSPORTATION DIVISION OF HIGHWAYS	DRAWN BY R King 2/05
NO. DATE INITIALS	FAP ROUTE 599 SECTION 42 MFT-BR	CHECKED BY DATE DWP 2/05
1	STA 408+41.00 ROCK ISLAND COUNTY	DATE BY DATE CWC 2/05
2		BOOK NUMBER
3		PROJECT NO. 4858-4
4		SHEET NO.
5		
6		
7		
8		
9		
10		
11		
12		

HOMER L. CHASTAIN & ASSOCIATES, LLP
CONSULTING ENGINEERS
184-00397