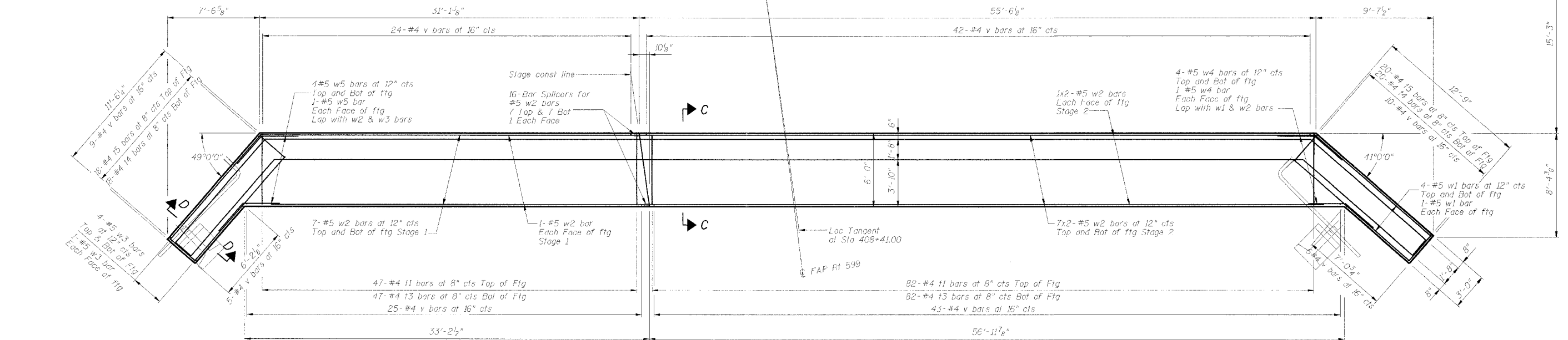
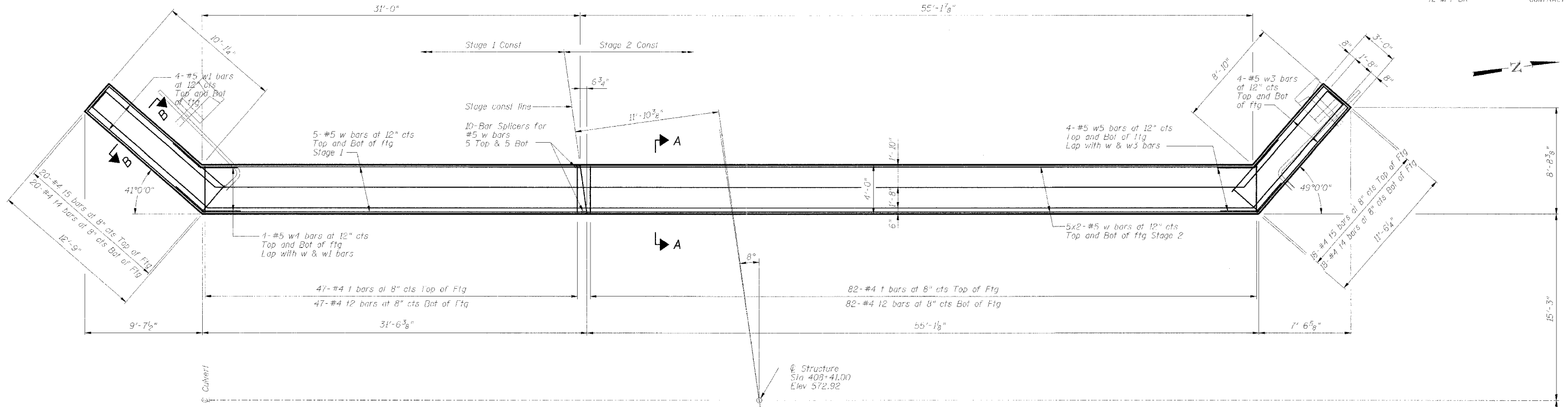


STATE OF ILLINOIS
DEPARTMENT OF TRANSPORTATION

Sheet No. 4
of 7 Sheets

ROUTE NO.	SECTION	COUNTY	TOTAL SHEETS	SHEET NO.
FAP 599	*	ROCK ISLAND	50	39
FEEDBACK DISTAL	ILLINOIS	PROJECT		
*42 MFT-BR		CONTRACT NO. 64641		



FOOTING PLAN

MAXIMUM BEARING PRESSURE
Applied = 8.6 ksf (at West footing)
Applied = 6.2 ksf (at East footing)
Applied = 3 ksf estimated (at Wingwall)

MIN BAR LAP
#5 bars = 2'-2"

NOTES
Structure footing is to be poured monolithically with wingwall footing.
The new footings shall be set 6" minimum into sound rock. The thickness of the footings shall be increased if required to maintain this embedment.

ILLINOIS ROUTE 92 OVER AN UNNAMED DITCH

FOOTING DETAILS

REVISIONS NO. DATE INITIALS 1 2 3 4 5 6 7 8 9 10 11 12		STATE OF ILLINOIS DEPARTMENT OF TRANSPORTATION DIVISION OF HIGHWAYS FAP ROUTE 599 SECTION 42 MFT-BR SN 081-1009 STA 408+41.00 ROCK ISLAND COUNTY HOMER L. CHASTAIN & ASSOCIATES, LLP CONSULTING ENGINEERS 184-001397	DRAWN BY DATE R King 2/05 CHECKED BY DATE CWP 2/05 DESIGNED BY DATE CWC 2/05 BOOK NUMBER PROJECT NO. 4858-4 SHEET NO.
---	--	--	---