

STATE OF ILLINOIS
DEPARTMENT OF TRANSPORTATION

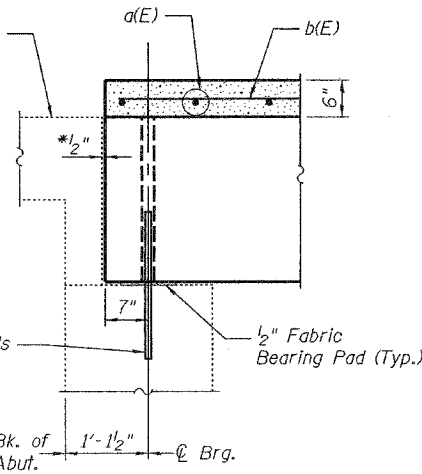
ROUTE NO.	SECTION	COUNTY	TOTAL SHEETS	SHEET NO.	SHEET NO. 2 5 SHEETS
		Rock Island	90	51	
FED. ROAD DIST. NO. 7		ILLINOIS		FED. AID PROJECT-	

Contract Number: 64641

Note:
After beams have been erected, holes shall be drilled into substructure and anchor dowels placed 1'-3" minimum into existing caps. Dowel holes shall be filled with non-shrink grout to top of beam and allowed to cure a minimum of 24 hours prior to grouting the shear keys.

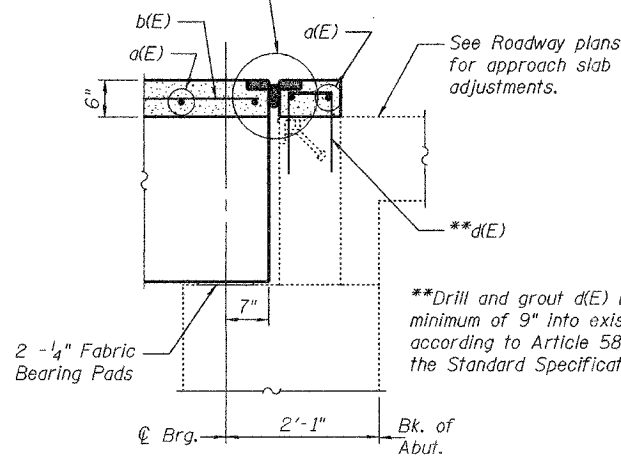
*Joint shall be filled with non-shrink grout. This dimension may vary plus or minus to accommodate tolerance in beam lengths.

See Roadway plans for approach slab adjustments.



SECTION AT EAST ABUTMENT
(Dimensions at Rt. L's)

See Detail A

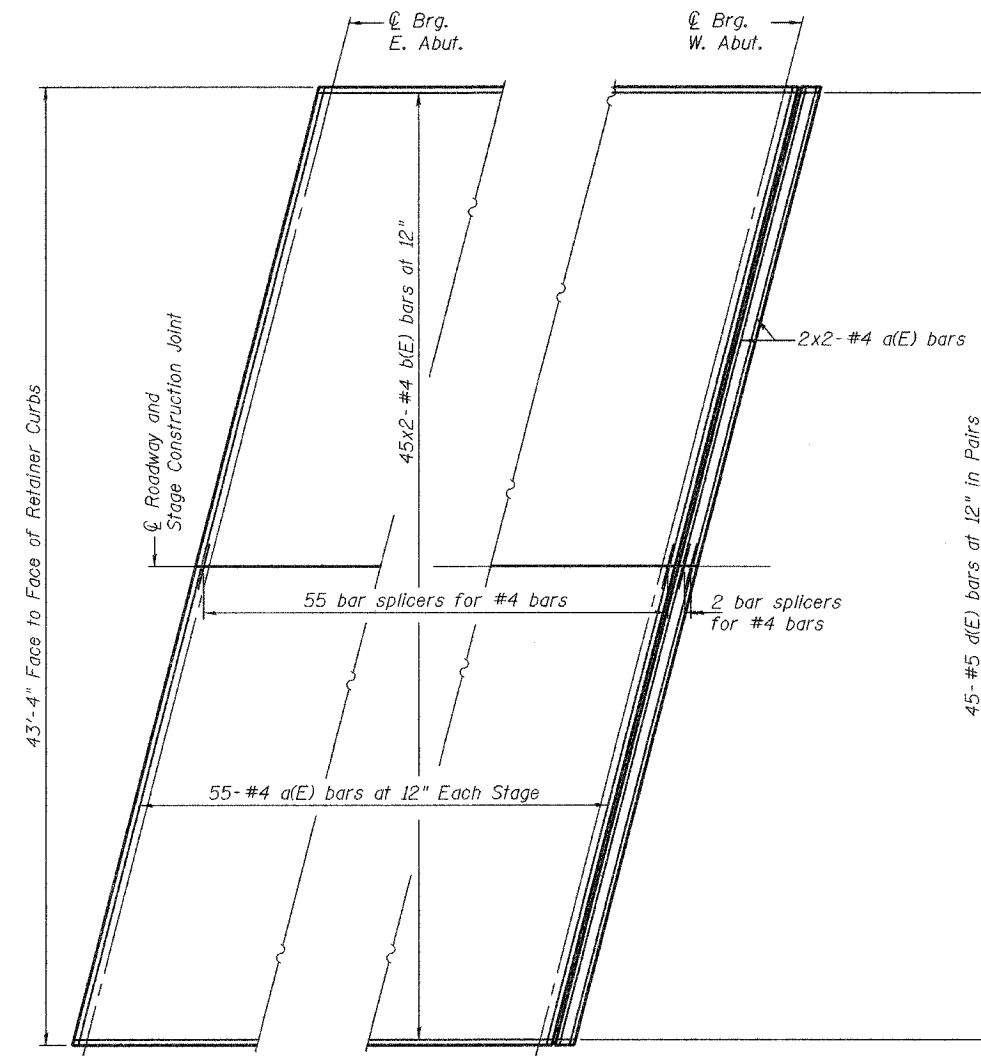


SECTION AT WEST ABUTMENT
(Dimensions at Rt. L's)

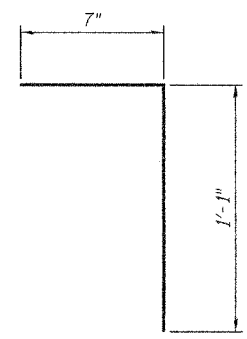
1" ϕ x 2'-6" dowel rods in 1 1/2" ϕ holes drilled and grouted into cap. (Typ.)

Bk. of Abut. 1'-1 1/2" ϕ Brg.

**Drill and grout d(E) bars a minimum of 9" into existing according to Article 584 of the Standard Specifications.



CONCRETE OVERLAY PARTIAL PLAN AND HATCH BLOCK EXTENSION PLAN



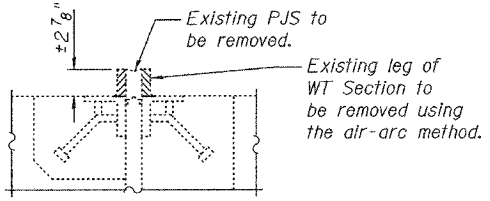
BAR d(E)

BILL OF MATERIAL

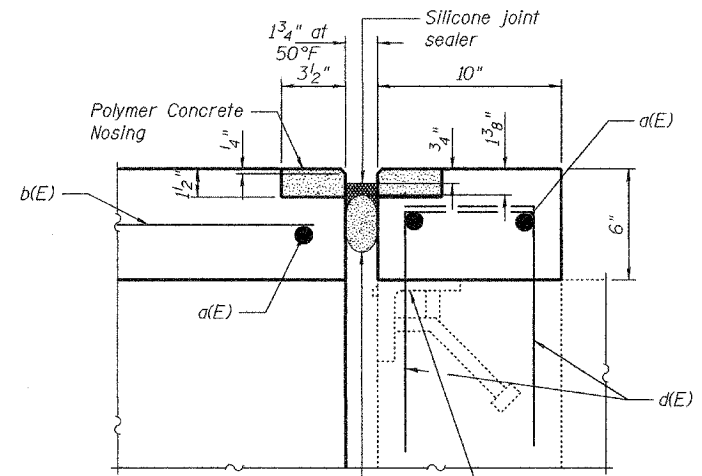
Bar	No.	Size	Length	Shape
a(E)	114	#4	22'-3"	—
b(E)	90	#4	27'-11"	—
d(E)	90	#5	1'-8"	L
Reinforcement Bars, Epoxy Coated			Lbs.	3,530

Reinforcement bars designated (E) shall be epoxy coated.
Bars indicated thus 1 x 2-#5 etc. indicates 1 line of bars with 2 lengths per line.

MIN BAR LAP
#4 = 1'-4"

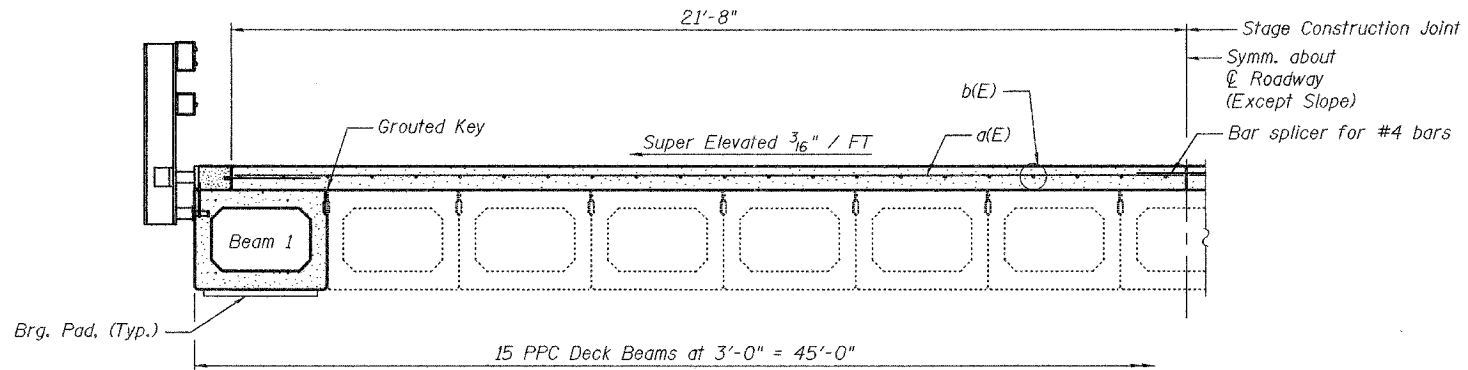


TYPICAL SECTION AT EXISTING JOINT AT WEST ABUTMENT
(Dimensions at Rt. L's)



DETAIL A
(Dimensions at Rt. L's)

Backer rod having a diameter 25% greater than joint opening at the time of installation.
Drill hole thru exist. armor angle.



HALF CROSS SECTION
(Looking West)

DESIGNED	V.H.V.
CHECKED	M.J.T.
DRAWN	Drew Christopher
CHECKED	V.H.V. M.J.T.

September 23, 2005
EXAMINED *John A. Morris*
ENGINEER OF STRUCTURAL SERVICES
PASSED *Ralph E. Anderson*
ENGINEER OF BRIDGES AND STRUCTURES

OVERLAY AND JOINT DETAILS
IL 92
ROCK ISLAND COUNTY
SN 081-0076