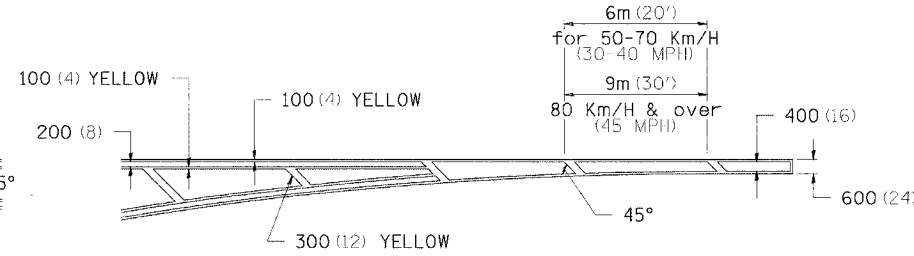
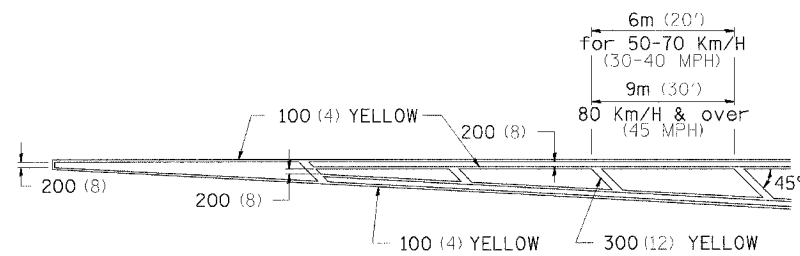


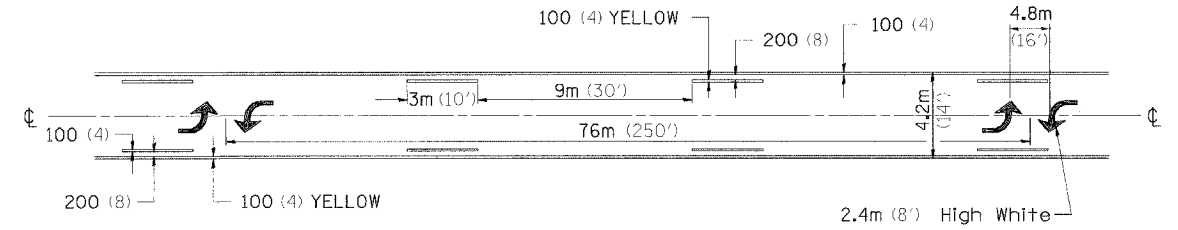
# TYPICAL PAVEMENT MARKINGS

F.A.P. RITE	SECTION	COUNTY	TOTAL SHEETS	SHEET NO.
599	42MFT-BR & 42MFT-T	ROCK ISLAND	90	58
STA. 404+30 & 326+50		TO STA. 411+46 + S 326+10		
FED. ROAD DIST. NO.		ILLINOIS	FED. AID PROJECT	

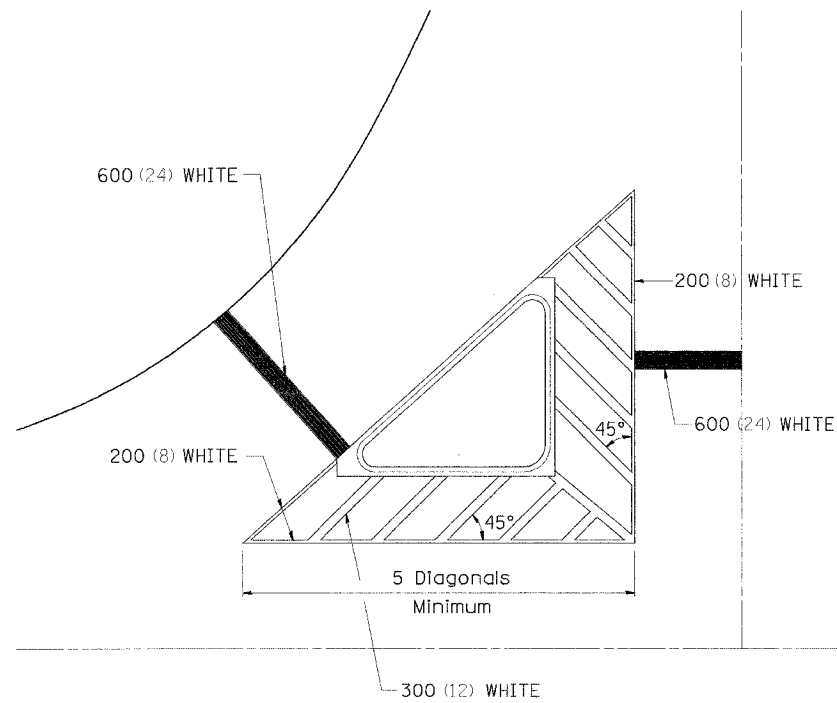
TYPICAL PAVEMENT MARKING FOR FLUSH MEDIAN



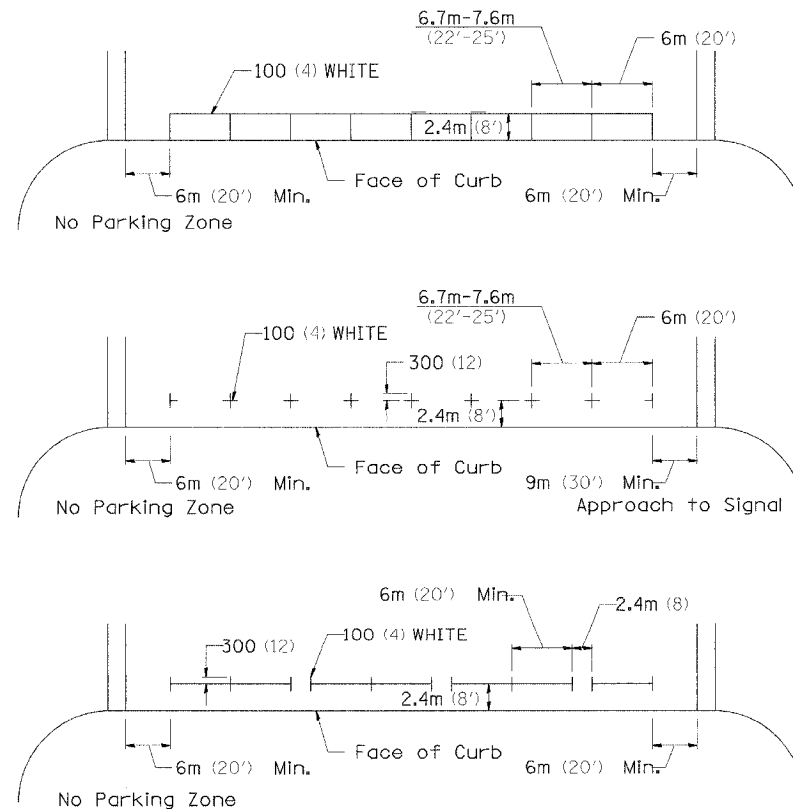
MEDIAN PAVEMENT MARKING



TYPICAL ISLAND OFFSET SHOULDER WIDTH

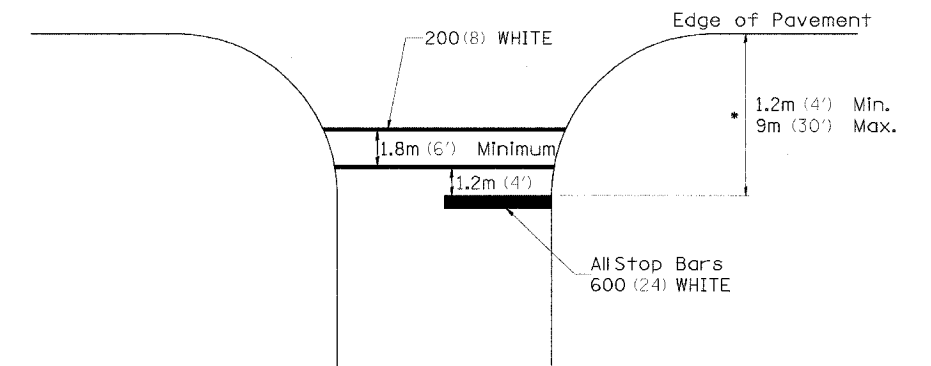


TYPICAL PARKING SPACING



\*\* ALL DIMENSIONS ARE IN MILLIMETERS (INCHES) UNLESS OTHERWISE NOTED.

STANDARD CROSSWALK MARKING  
See Schedules for Locations



\* Distance to the nearest edge of the intersecting roadway in the absence of a marked crosswalk.

CHECKED BY:

DRAWN BY:

DESIGNED BY:

Thu, Feb 12, 11:04:43, 2004  
c:\p\project\812\812m\812p11.dgn