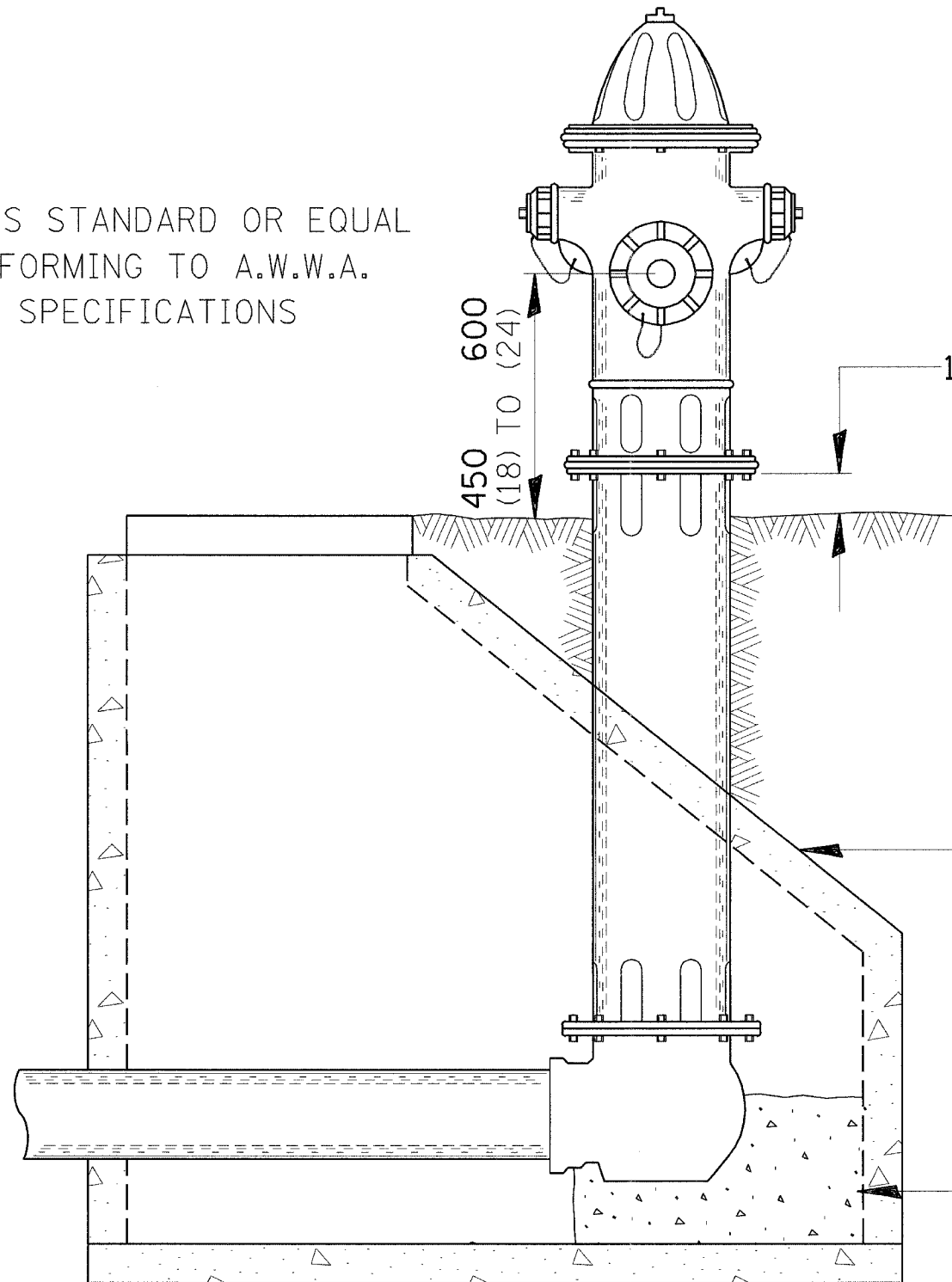


TYPICAL HYDRANT INSTALLATION

ROUTE NO.	SEC.	COUNTY	TOTAL SHEETS	SHEET NO.
599	42MFT-BR & 42MFT-T	ROCK ISLAND	90	67
FED. ROAD DIST. NO. 7		ILLINOIS	PROJECT	

ALL DIMENSIONS ARE IN MILLIMETERS (INCHES)
UNLESS OTHERWISE NOTED.

OWNER'S STANDARD OR EQUAL
CONFORMING TO A.W.W.A.
SPECIFICATIONS



150 (6) OR CONFORM TO
MANUFACTURER'S
SPECIFICATIONS

MANHOLES; TYPE A, 5' DIAMETER,
TYPE 1 FRAME, CLOSED LID
(SEE HIGHWAY STANDARD 1527 USE
ECCENTRIC ELEVATION)

PROVIDE CONCRETE THRUST
BLOCKING AGAINST MANHOLE.