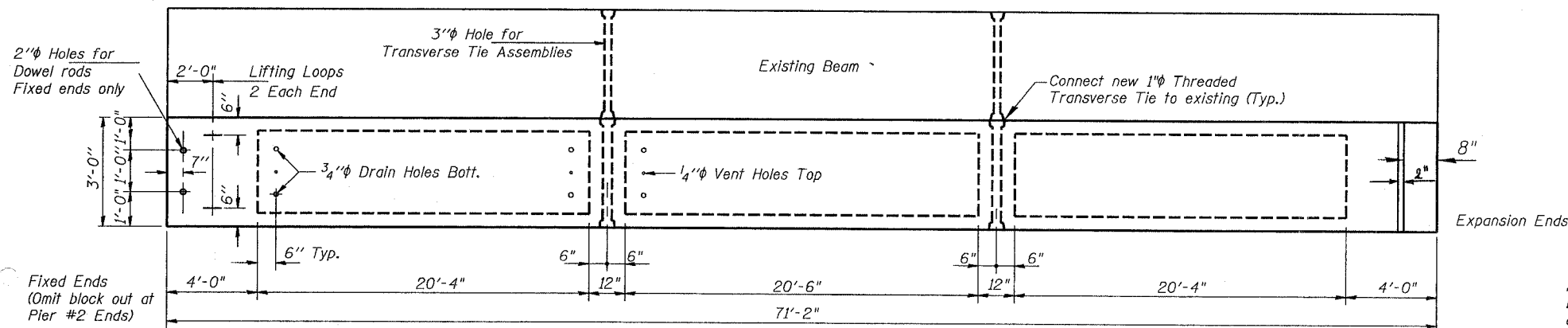


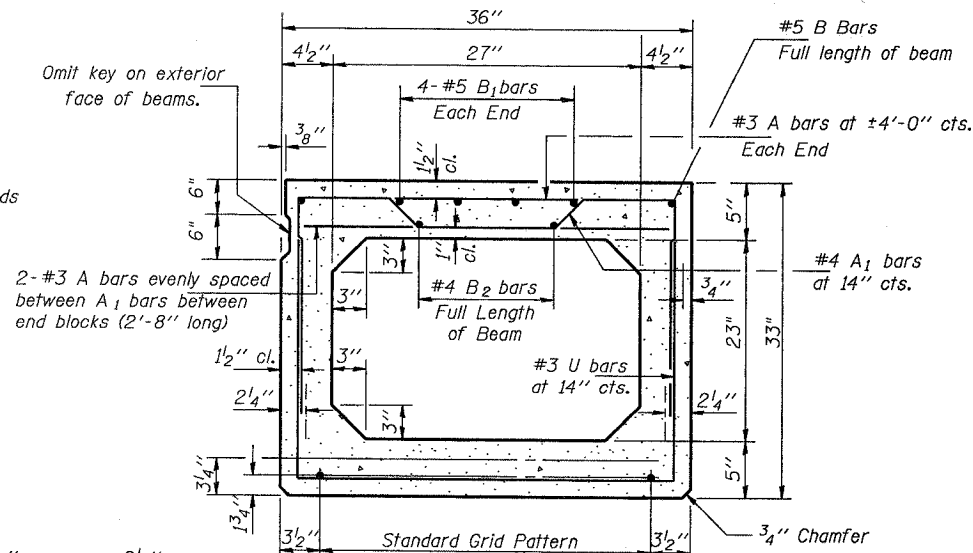
STATE OF ILLINOIS
DEPARTMENT OF TRANSPORTATION

ROUTE NO.	SECTION	COUNTY	TOTAL SHEETS	SHEET NO.	SHEET NO.
S.B.L.	*	Henry	26	12	8 SHEETS
F.A.U.					
FED. ROAD DIST. NO. 7	ILLINOIS	FED. AID PROJECT			

* Section 2BR-1 Contract #64B10



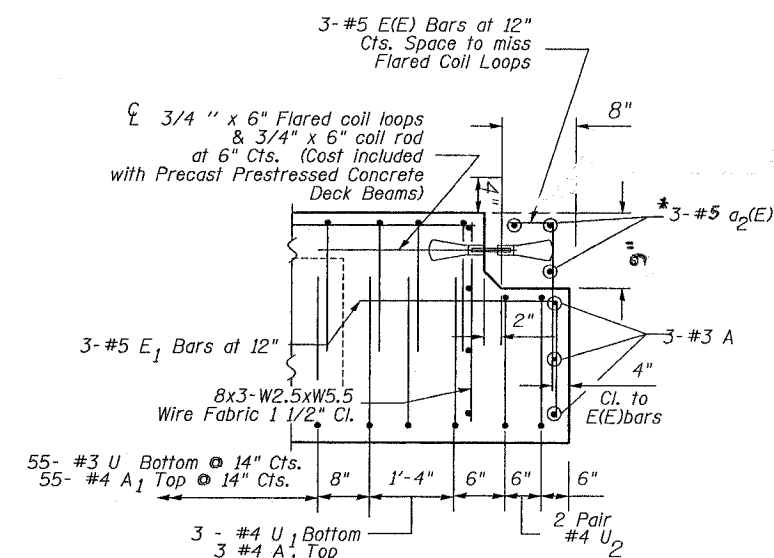
PLAN



TYPICAL SECTION

16-1/2" Strands Each Strand Stressed to 30,900 Lbs.
8-Strands 1 3/4" up, 6-Strands 3/4" up
2-Strands 9" up

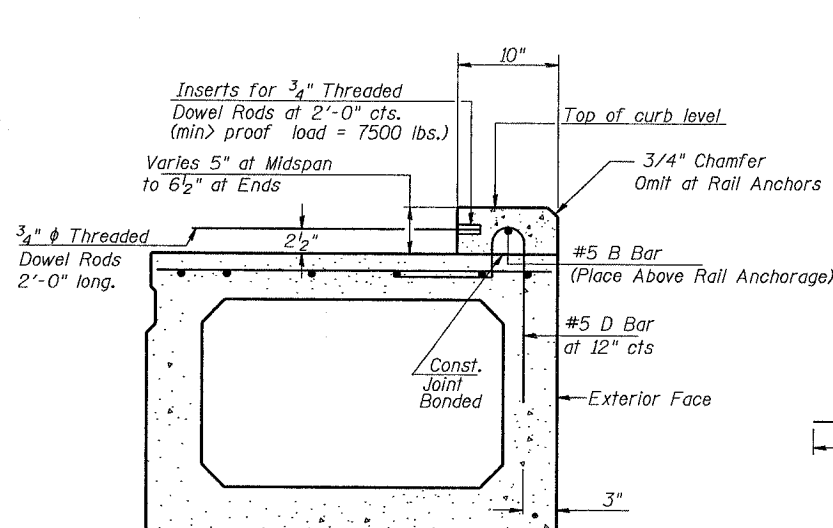
Note: Place strands symmetrically about center of beam.



BEAM END ELEVATION

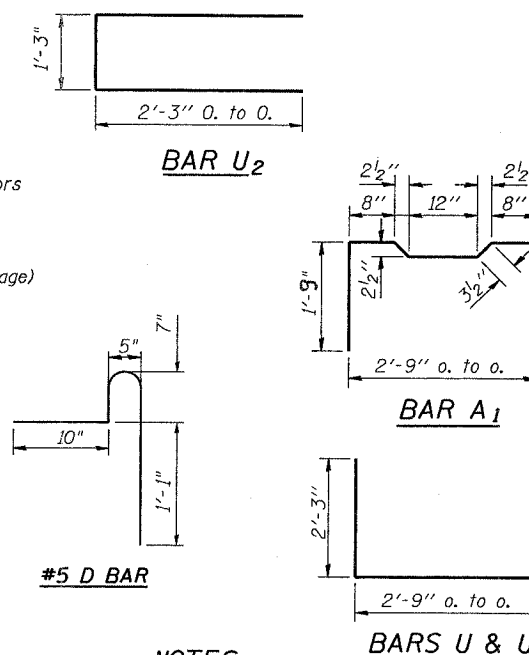
(ABUTMENTS AND PIER #1 ENDS)

* (E) Bars included with Deck Quantities



SECTION THRU EXTERIOR BEAMS

Showing Precast Curb



NOTES

Prestressing steel shall be uncoated high strength, low relaxation 7-wire strand, Grade 270. The nominal diameter shall be 1/2" and the nominal cross-sectional area shall be 0.153 sq. in. Lifting loops shall be 2 - 1/2" Dia.-270 ksi strands, as shown.

The 1" Dia. rods in the transverse tie assembly shall be tightened to a snug fit and the threads set. Pockets that receive transverse tie bar on outside shall be filled with grout after transverse tie assembly is in place.

Non prestressing steel shall conform to AASHTO M-31, or M-322 Grade 60.

The bearing seat surfaces shall be adjusted by shimming to assure firm and even bearing. Two 1/8" fabric adjusting shims of the dimensions of the Exterior Bearing Pad shall be provided for each bearing.

Keyway surfaces shall be cleaned to remove form oil or other bond breaking material prior to shipment of the beams. Cleaning shall be done by sandblasting the keyway areas between top of the beam and the bottom edge of the key.

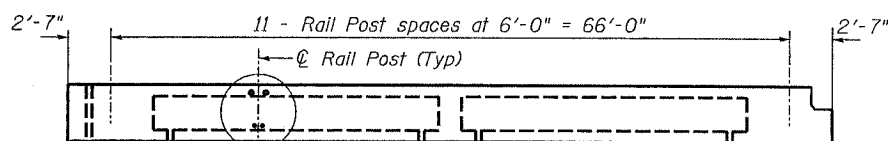
Corrosion Inhibitor, as covered in the Special Provisions, shall be used in the concrete for precast prestressed concrete deck beams.

Required Release Strength, f'ci, shall be 4000 p.s.i.

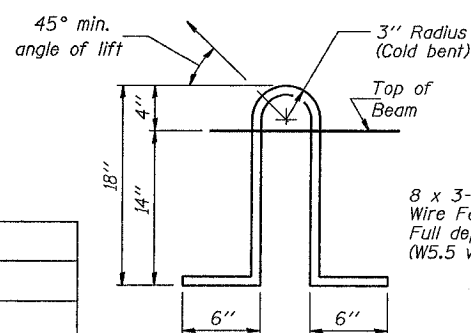
Bridge rail inserts shall be cast into the precast beams and curbs. Curbs shall be cast by the precast prestressed concrete fabricator after the strands have been released and prior to shipping the beams. The concrete used in the curb shall meet the requirements specified for the beams. The curbs including all concrete and reinforcement will not be paid for separately but included with Precast Prestressed Concrete Deck Beams.

The curb inserts and threaded dowel rods may be either epoxy coated or galvanized and the cost shall be considered included with Precast Prestressed Concrete Deck Beams (33" Depth).

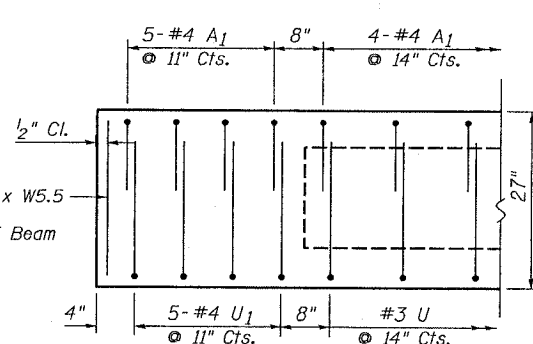
The cut strands at each beam end shall be given two coats of zinc dust spray or paint meeting the requirements of ASTM A 780. The zinc dust spray or paint shall be applied before corrosion appears and allowed to dry according to the manufacturer's specifications prior to another coat of zinc. A concrete sealer meeting the requirements of Section 587 of the Standard Specifications shall be applied to the exterior face and 9" in on the underside of the fascia beams. The sealer shall be applied after visible crack growth has subsided. This work shall be performed by the producer and included with the cost of the beam.



OUTSIDE BEAM ELEVATION



LIFTING LOOP DETAIL



FIXED END ELEVATION

(PIER 2 ENDS ONLY)

BILL OF MATERIAL

ITEM	UNIT	TOTAL
Precast Prestressed Conc. Deck Bms.	Sq. Ft.	7046

Reinforcement bars designated (E) shall be epoxy coated.
*Exterior Beams Only

SUPERSTRUCTURE
F.A.U. 5862 (POPPY GARDEN RD)
OVER GREEN RIVER
SECTION 2BR-1
HENRY COUNTY
STR. NO. 037-0127

DESIGNED	SB
CHECKED	RB
DRAWN	DB, BS
CHECKED	SB

PD-5-S 3-1-94