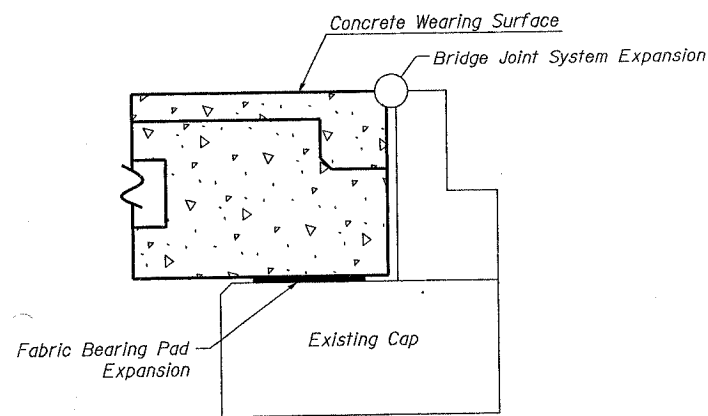


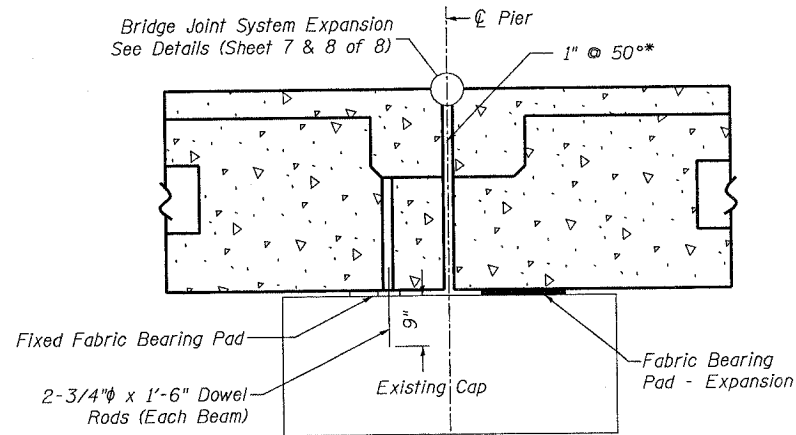
STATE OF ILLINOIS  
DEPARTMENT OF TRANSPORTATION

ROUTE NO.	SECTION	COUNTY	JOB#	SHEET	SHEET NO.
	*	Henry	26	13	8
F.A.U.					
FED. ROAD DIST. NO. 7					
ILLINOIS FED. AID PROJECT-					

\* Section 2BR-1 Contract #64B10

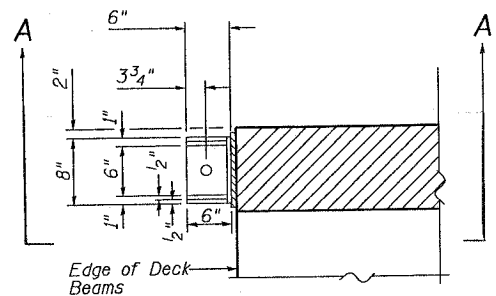
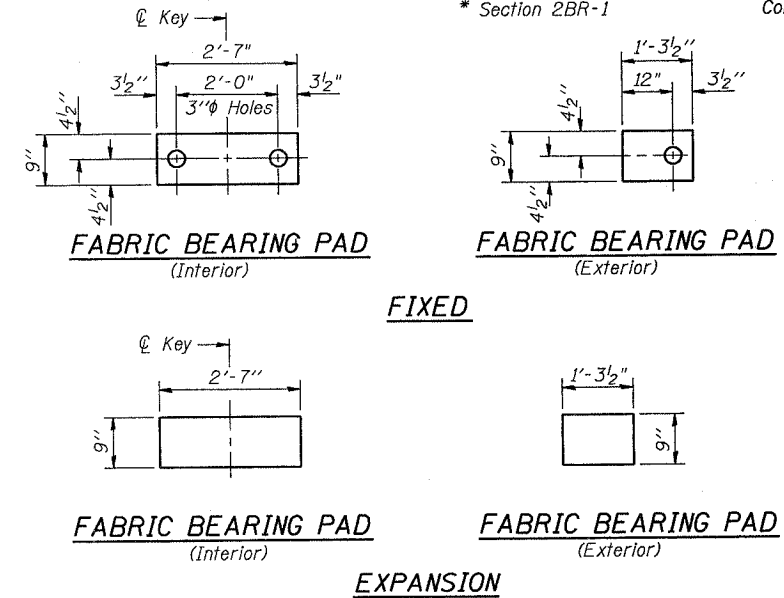


**SECTION THRU ABUTMENT**



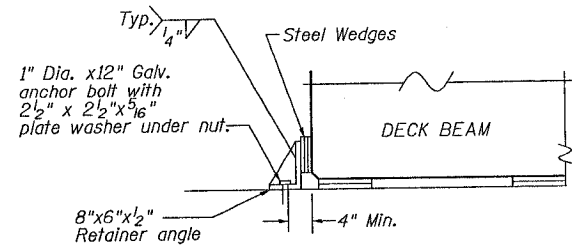
**SECTION THRU PIER #1**

\* 1" Dimension may vary to accommodate tolerance on beam lengths



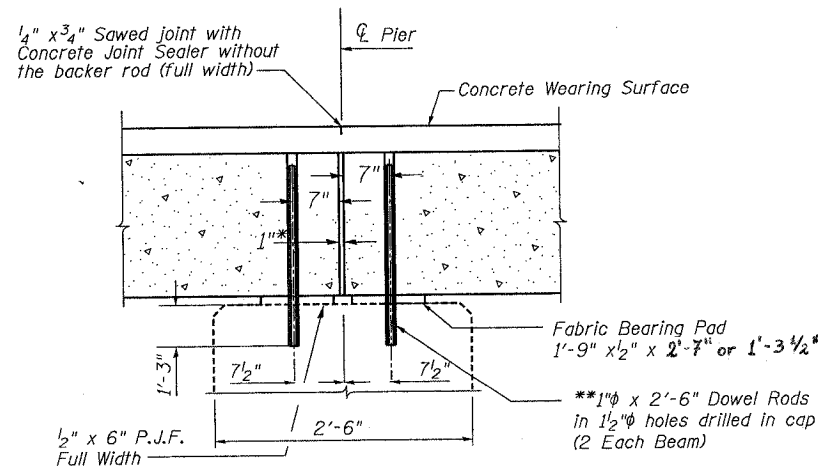
**PLAN @ EXPANSION ENDS  
TEMPORARY SIDE RETAINER  
DETAIL**

(6 Required - Cost Included With  
Precast Prestressed Deck Beams)



**SECTION A-A**

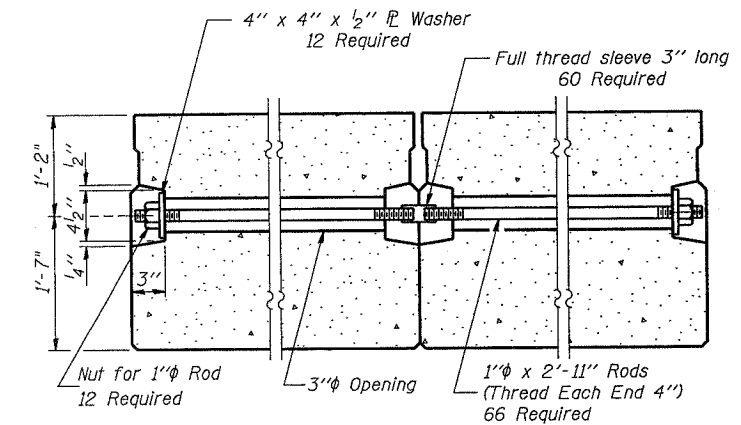
Note: After block-outs are poured and cured the retainer angles shall be removed. Anchor bolts may be left in place.



**SECTION THRU PIER #2**

(Dimension at Rt. L's)

\* 1" Jt. shall be filled with non-shrink grout. 1" dimension may vary to accommodate tolerance in beams lengths.



**TYPICAL TRANSVERSE TIE ASSEMBLY**

DESIGNED	SB
CHECKED	RB
DRAWN	DB, BS
CHECKED	SB

SUPERSTRUCTURE DETAILS  
F.A.U. 5862 (POPPY GARDEN RD)  
OVER GREEN RIVER  
SECTION 2BR-1  
HENRY COUNTY  
STR. NO. 037-0127