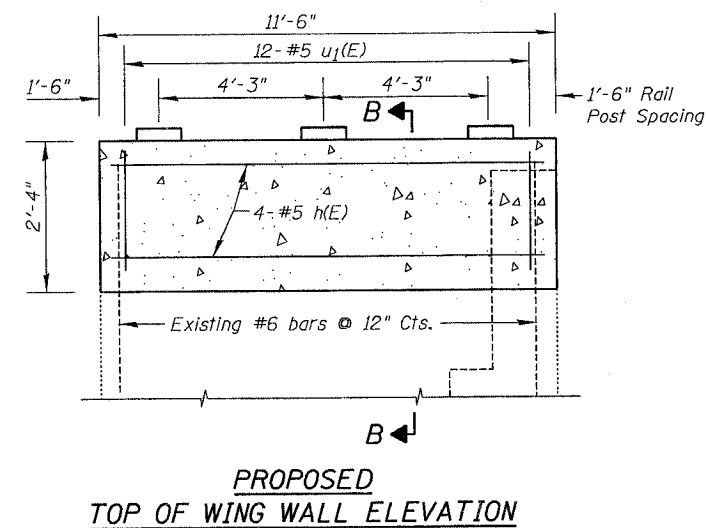
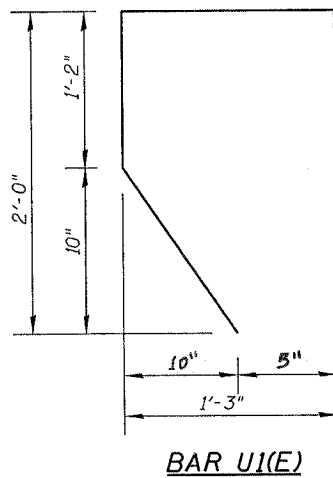
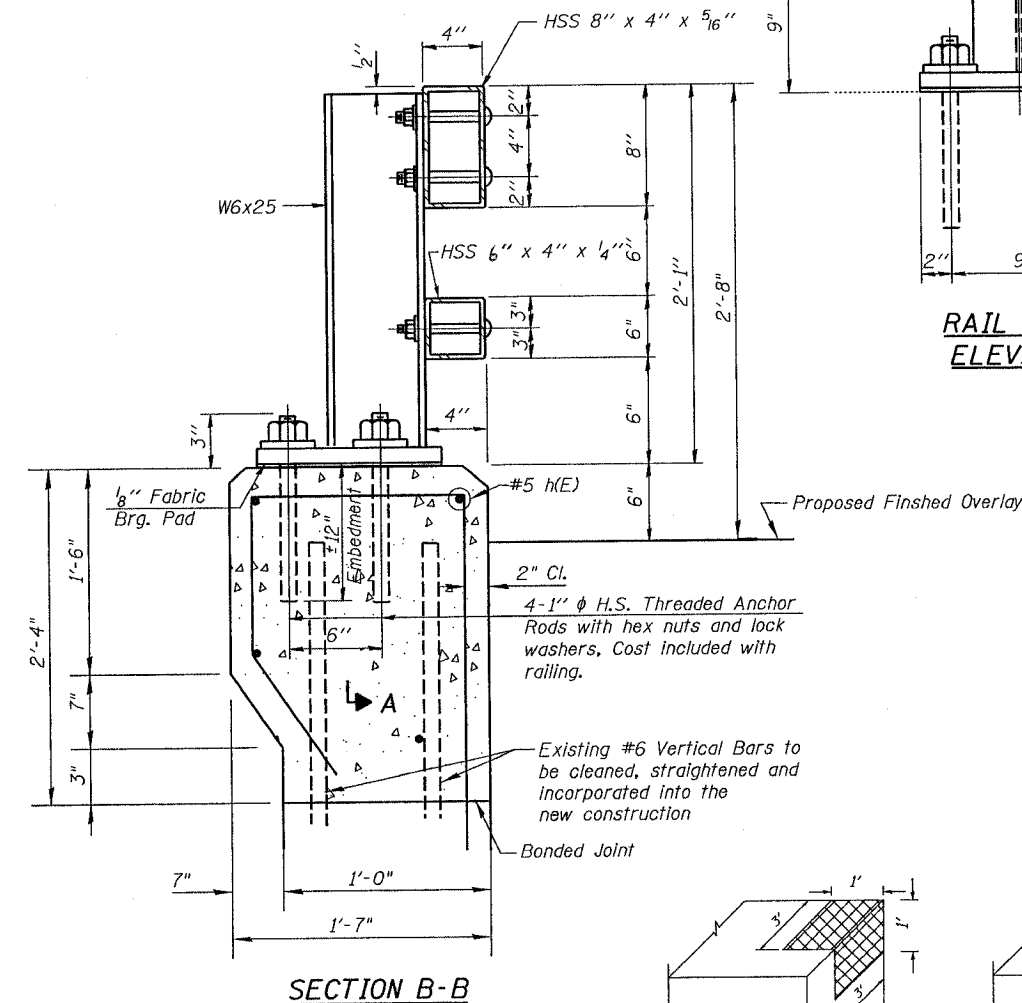
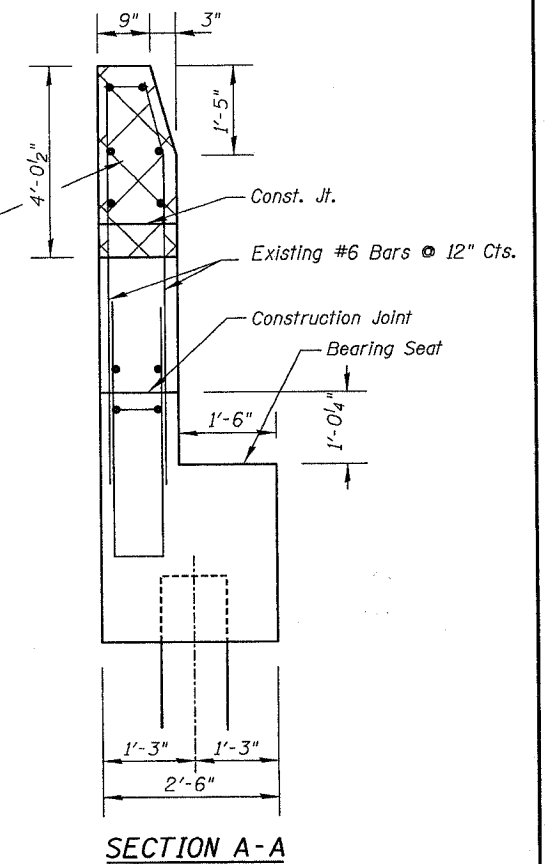
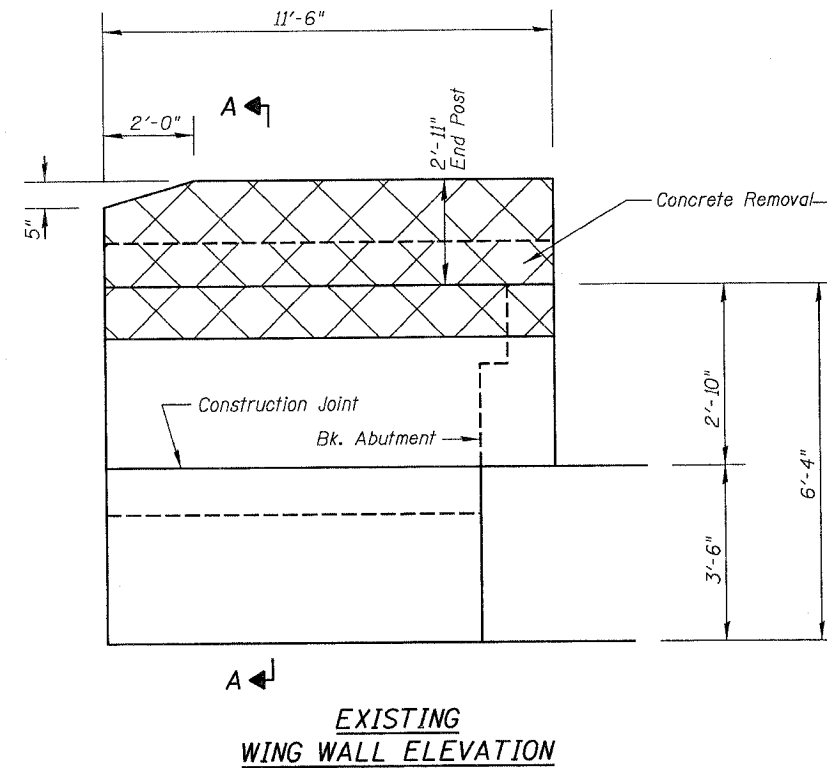
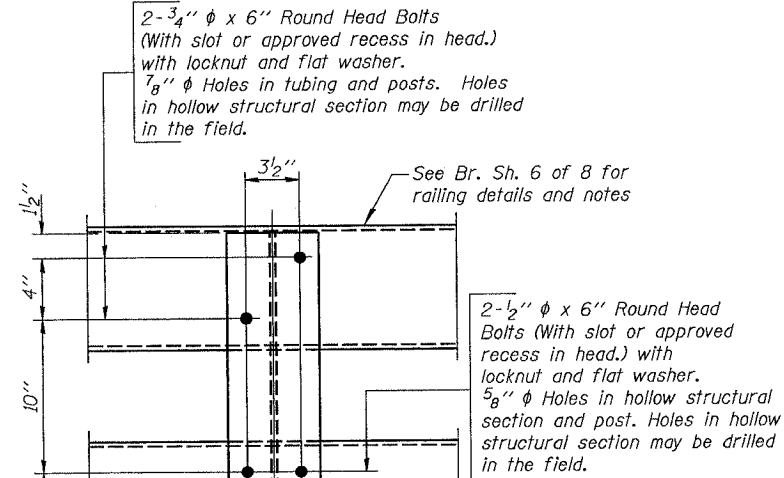
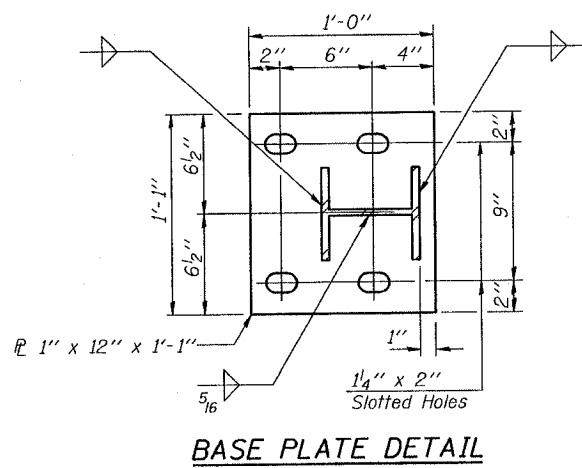


STATE OF ILLINOIS
DEPARTMENT OF TRANSPORTATION

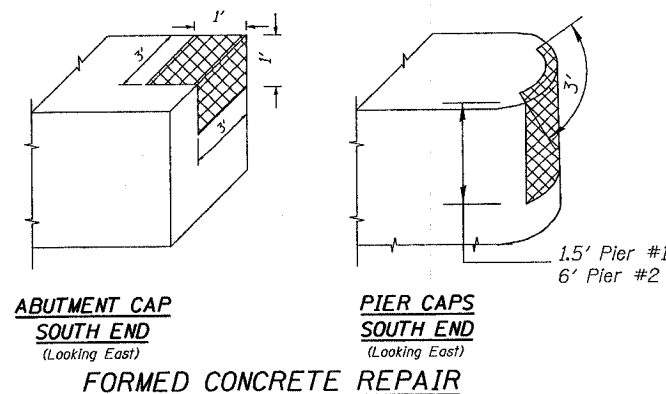
ROUTE NO.	SECTION	COUNTY	SHEET	SHEET NO.
26	14	Henry	26	14
SHEETS				
* Section 2BR-1 Contract #64B10				



BILL OF MATERIAL - ABUTMENTS

Bar	Size	Number	Length	Shape
* a ₁ (E)	#6	4	32'-9"	—
* u ₁ (E)	#5	62	3'-5"	□
h(E)	#5	16	1'-3"	—
u ₁ (E)	#5	48	5'-7"	□
ITEM		UNIT	TOTAL	
Concrete Removal		Cu Yd	9.2	
Reinforcement Bars (Epoxy Coated)		Pound	880	
*Concrete Superstructures		Cu Yd	9.7	
Formed Concrete Repair (Depth Equal to or Less Than 5 Inches)		Sq Ft	30	

Reinforcement bars designated (E) shall be epoxy coated.
*See Joint Details Sheet 7 of 8



DESIGNED	SB
CHECKED	RB
DRAWN	DB, BS
CHECKED	SB

ABUTMENT DETAILS
F.A.U. 5862 (POPPY GARDEN RD)
OVER GREEN RIVER
SECTION 2BR-1
HENRY COUNTY
STR. NO. 037-0127