

STATE OF ILLINOIS
DEPARTMENT OF TRANSPORTATION

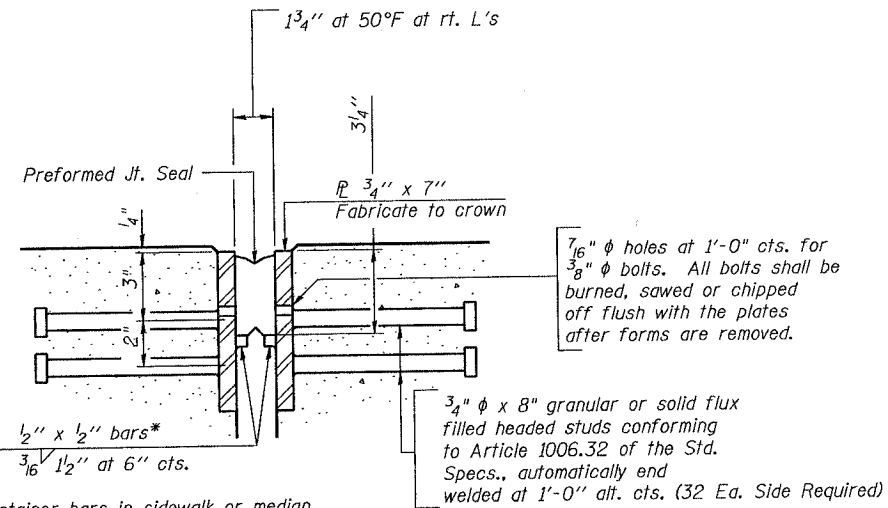
ROUTE NO.	SECTION	COUNTY	TOTAL SHEETS	SHEET NO.	SHEET NO. 7
S. B. I.	*	Henry	26	16	8 SHEETS
F. A. U.					
FED. ROAD DIST. NO. 7	ILLINOIS	FED. AID PROJECT-			

* Section 2BR-1 Contract #64B10

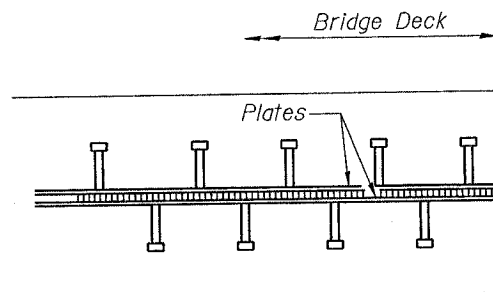
GENERAL NOTES

Furnish steel plates in segments of 20 feet maximum length. Maximum space between installed segments shall be $\frac{3}{16}$ ". Seal space with silicone sealant suitable for structural steel.

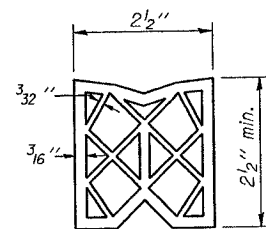
Bridge Joint System (Expansion)		
Design Movement	Required Preformed Joint Seal Size	Required Strip Seal Rated movement
1"	2 1/2"	1"



SECTION THRU EXPANSION JOINT
(2 1/2" and 4" joint seals)

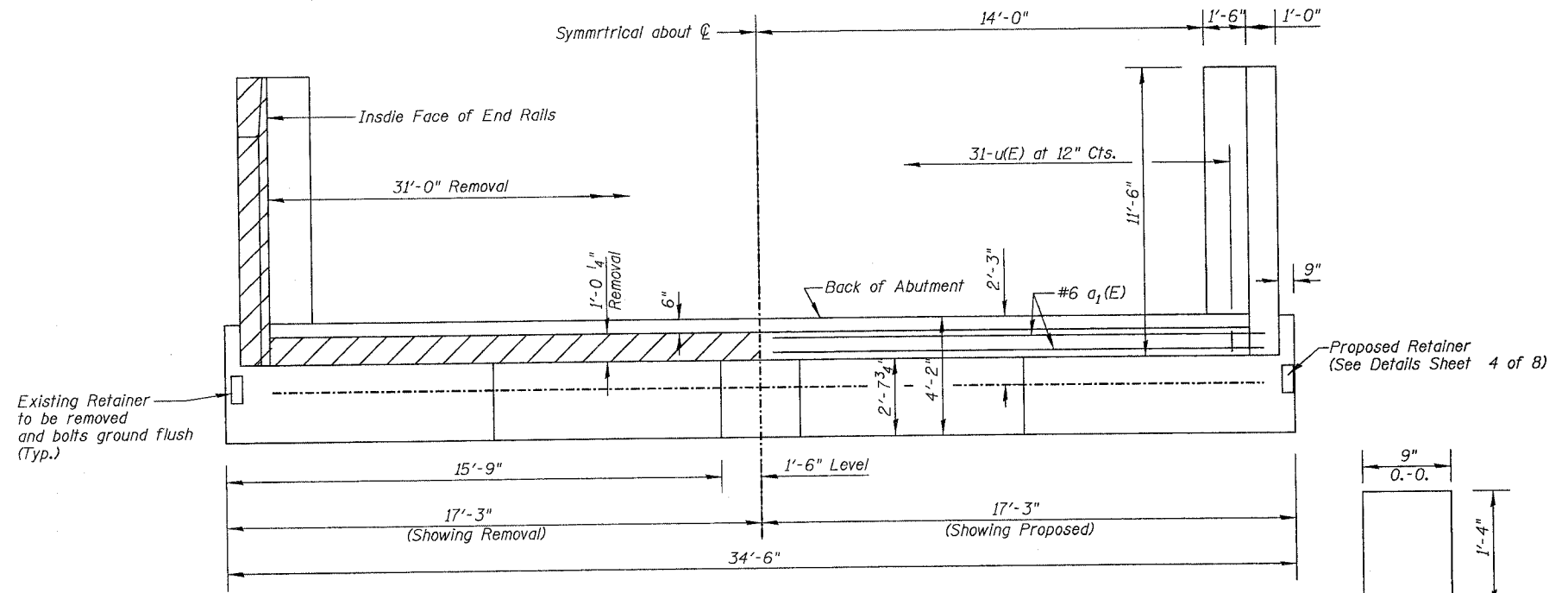


PLAN VIEW



PREFORMED JOINT SEAL

DESIGNED	SB
CHECKED	RB
DRAWN	DB, BS
CHECKED	SB



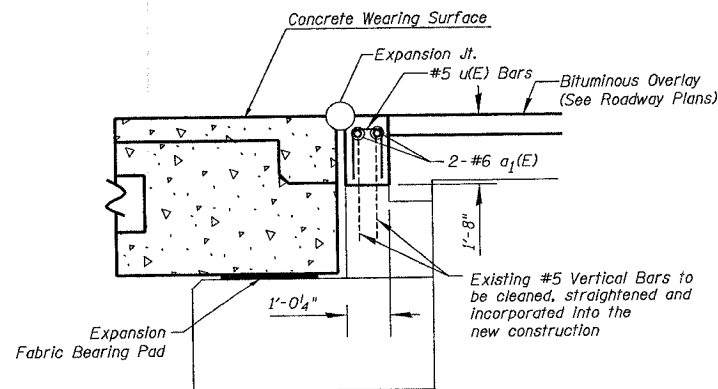
ABUTMENT TOP VIEW

BAR u(E)

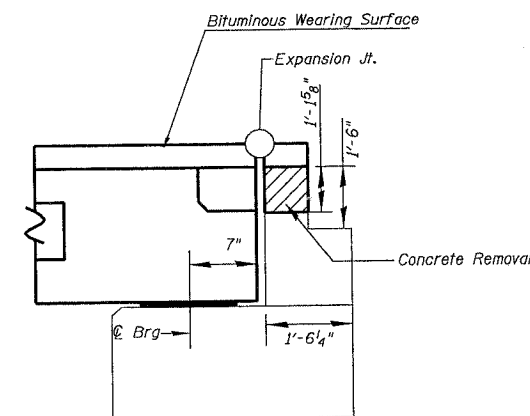
BILL OF MATERIAL

Item	Unit	Total
Bridge Joint System (Expansion)	foot	99

Pier #1 & Abutments



PROPOSED SECTION THRU ABUTMENT



EXISTING SECTION THRU ABUTMENT

(Sheet 1 of 2)
BRIDGE JOINT SYSTEM - EXPANSION (PREFORMED JOINT SEAL)
F.A.U. 5862 (POPPY GARDEN RD)
OVER GREEN RIVER
SECTION 2BR-1
HENRY COUNTY
STR. NO. 037-0127