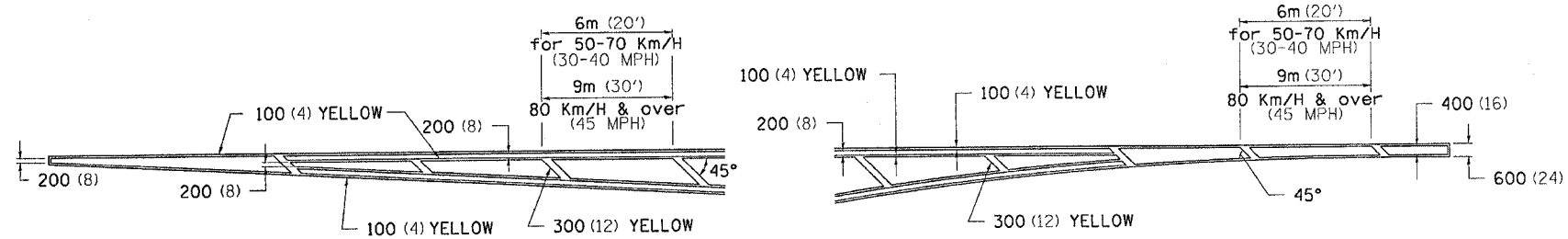


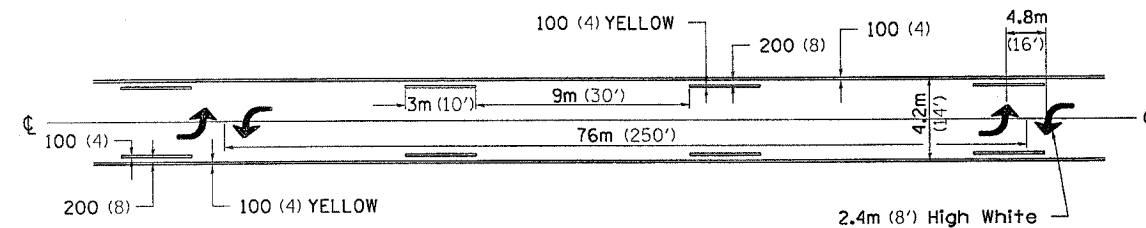
F.A.J. RTE.	SECTION	COUNTY	TOTAL SHEETS	SHEET NO.
5862	2BR-1	HENRY	26	20
STA.		TO STA.		
FED. ROAD DIST. NO.	ILLINOIS	FED. AID PROJECT		

TYPICAL PAVEMENT MARKINGS

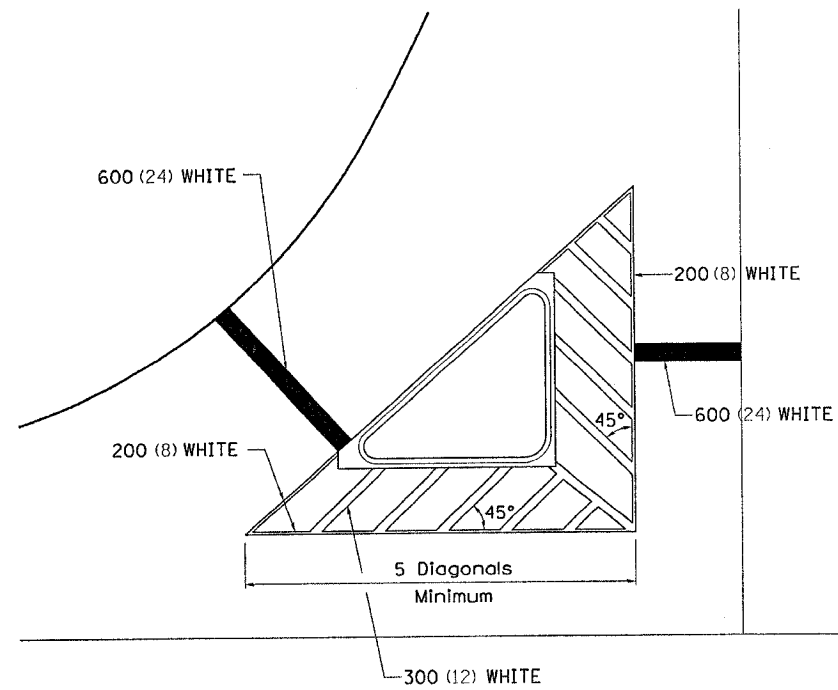
TYPICAL PAVEMENT MARKING FOR FLUSH MEDIAN



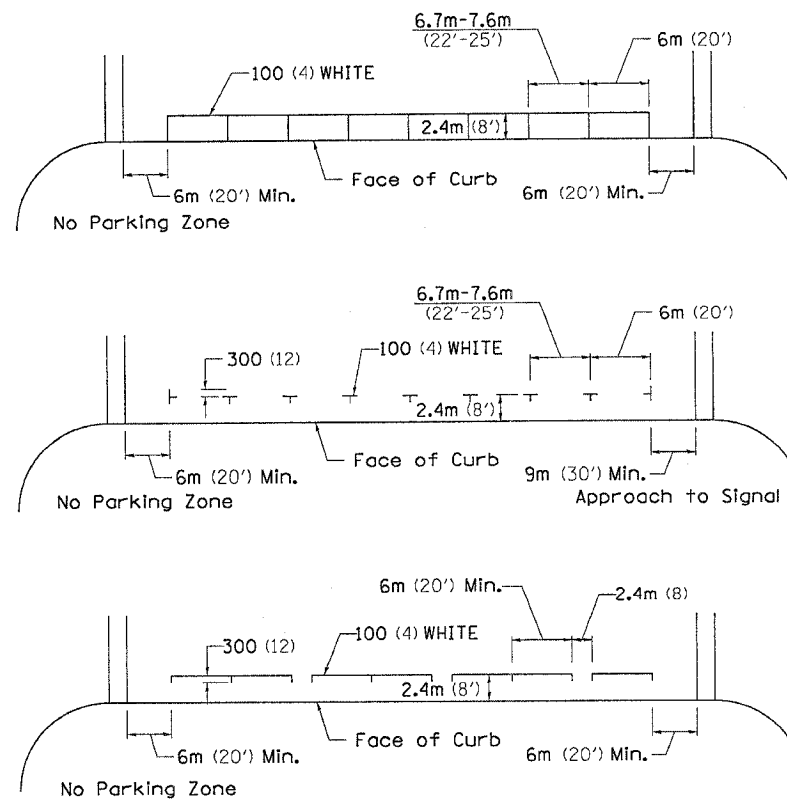
MEDIAN PAVEMENT MARKING



TYPICAL ISLAND OFFSET SHOULDER WIDTH

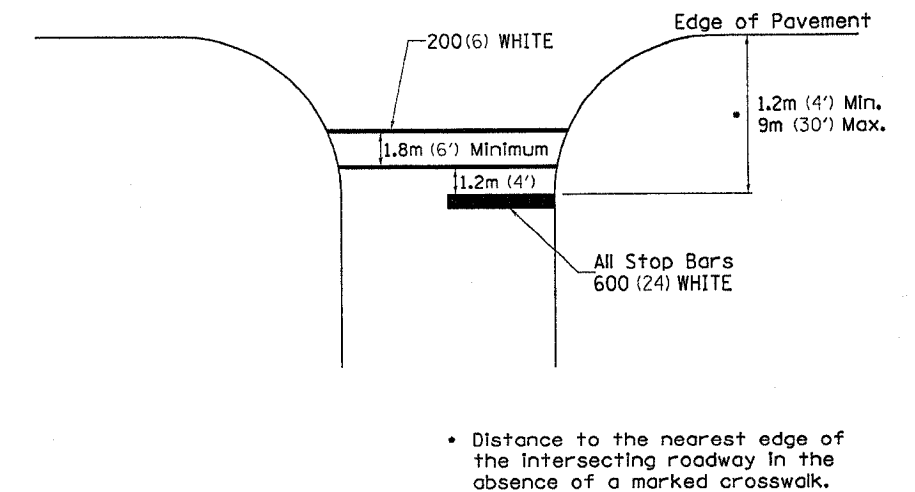


TYPICAL PARKING SPACING



•• ALL DIMENSIONS ARE IN MILLIMETERS (INCHES) UNLESS OTHERWISE NOTED.

STANDARD CROSSWALK MARKING
See Schedules for Locations



• Distance to the nearest edge of the intersecting roadway in the absence of a marked crosswalk.

PLOT DATE = Fri, Sep 02, 14:29:51, 2005
 FILE NAME = c:\pwork\meta\207285\207285.dgn
 PLOT SCALE = 50.00000 / 1 IN.
 REFERENCE = #REF#