

GENERAL NOTES

Fasteners shall be high strength bolts (AASHTO M 164, Type 3 in unpainted areas and mechanically galvanized AASHTO M 164, Type 1 or 2 in painted areas). Bolts $\frac{7}{8}$ " ϕ , open holes $\frac{15}{16}$ " ϕ , unless otherwise noted.

Calculated weight of Structural Steel = 38,470 Pound

All structural steel shall be AASHTO M 270 Grade 50W.

Field welding of construction accessories to beams will not be permitted.

Anchor bolts shall be set before bolting diaphragms over supports.

The main load carrying member components subject to tensile stress shall conform to the Supplemental Requirements for Notch Toughness Zone 2. These components are the wide flange beams and all splice plate material.

Reinforcement bars shall conform to the requirements of AASHTO M 31 or M 322 Grade 60.

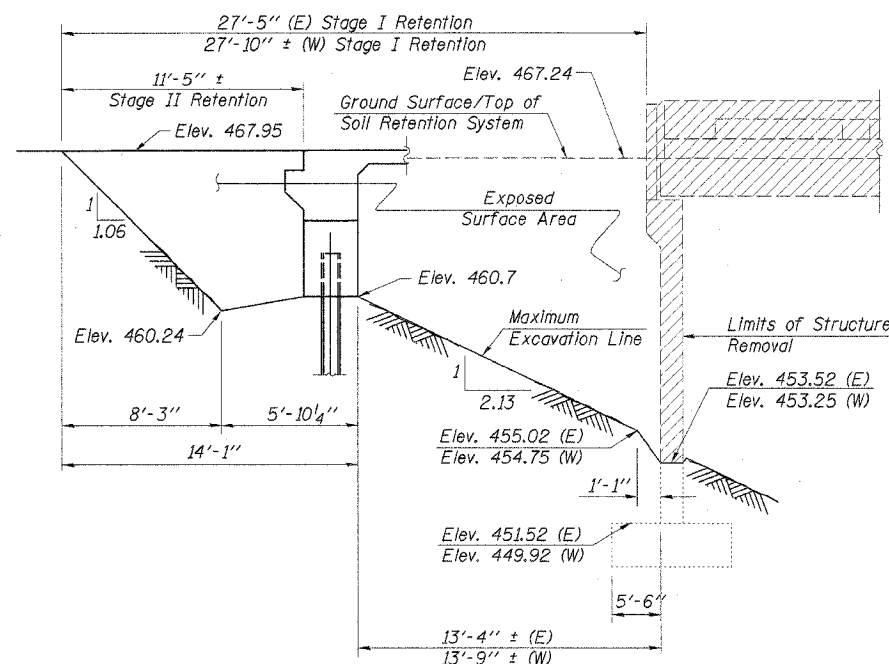
Layout of slope protection system may be varied in the field to suit ground conditions as directed by the Engineer.

Bearing seat surfaces shall be constructed and adjusted to the designed elevations within a tolerance of $\frac{1}{8}$ ". Adjustment shall be made either by grinding the surface or by shimming the bearing. Two $\frac{1}{8}$ " adjusting shims, of the dimensions of the bottom bearing plate, shall be provided for each bearing in addition to all other plates or shims.

AASHTO M 270 Grade 50W structural steel shall only be painted, at the ends of the beams, for a distance equal to the depth of embedment into the concrete cap plus 3 inches. Those areas shall be primed in the shop with an inorganic zinc rich primer per AASHTO M 300, Type 1. No field painting shall be required. All structural steel shall be cleaned as specified in the special provision for "Surface Preparation and Painting Requirements for Weathering Steel".

All Construction joints shall be bonded.

Excavation behind existing abutment walls shall be done before removing the existing superstructure. The Contractor shall sawcut the existing abutments at the stage removal line before stage I removal.



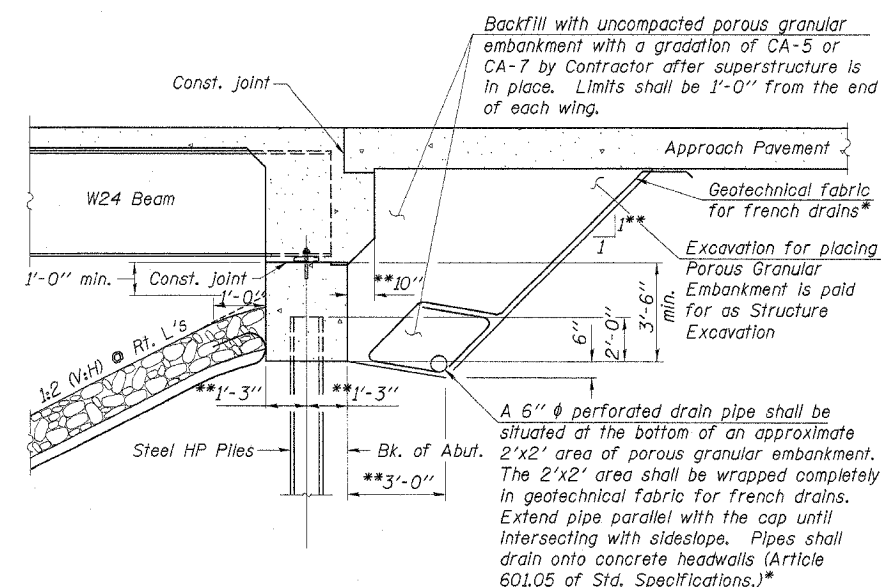
TEMPORARY SOIL RETENTION SYSTEM

(Slopes and distances shown along alignment of sheeting.)

A Cantilevered sheet piling design does not appear feasible and additional members or other retention systems may be necessary. The Contractor shall submit a temporary soil retention system design including plan details and calculations for review and acceptance by the Engineer.

STATION 14+08.00
BUILT 200_ BY
STATE OF ILLINOIS
F.A.P. RTE. 627-SEC IBR
LOADING HS20
STR. NO. 050-0244

LETTERING FOR NAME PLATE
SEE STD. 515001



SECTION THRU INTEGRAL ABUTMENT

*Included in cost of Porous Granular Embankment.
**At Rt. L's

TOTAL BILL OF MATERIAL

ITEM	UNIT	SUPER	SUB	TOTAL
Removal of Existing Structures	Each			1
Structure Excavation	Cu. Yd.		285	285
Furnishing Steel Piles HP10x42	Foot		216	216
Furnishing Steel Piles HP12x53	Foot		108	108
Setting Piles in Rock	Each		18	18
Concrete Structures	Cu. Yd.		65.6	65.6
Furnishing and Erecting Structural Steel	L. Sum	1		1
Reinforcement Bars, Epoxy Coated	Pound	22,450	7,740	30,190
Concrete Superstructure	Cu. Yd.	104.8		104.8
Name Plates	Each			1
Stone Riprap, Class A5	Sq. Yd.			385
Filter Fabric for Use with Riprap	Sq. Yd.			385
Bridge Deck Grooving	Sq. Yd.	294		294
Protective Coat	Sq. Yd.	360		360
Floor Drains	Each	4		4
Bar Splicers	Each	309	49	358
Porous Granular Embankment	Cu. Yd.		120	120
Underwater Structure Excavation	Each		1	1
Protection - Location 1	Each		1	1
Temporary Soil Retention System	Sq. Ft.		415	415
Stud Shear Connectors	Each	1,296		1,296

GENERAL NOTES, TOTAL BILL OF MATERIAL, & MISCELLANEOUS DETAILS

IL. RTE. 71 OVER UNNAMED STREAM
F.A.P. ROUTE 627 - SECTION IBR
LaSALLE COUNTY
STA. 14+08.00
STR. NO. 050-0244

4440 ASH GROVE SPRINGFIELD, IL 62711 (217) 793-8800 oastinc@famvid.com	OZYURT AND STONE, INC. CONSULTING ENGINEERS	JOB NO.: 0306.4 FILE: gn01.dgn DATE: 08-31-04
---	---	---

DESIGNED	P.S.L.
CHECKED	A.R.K. & F.J.S.
DRAWN	K.T.R.
CHECKED	P.S.L. & A.R.K.