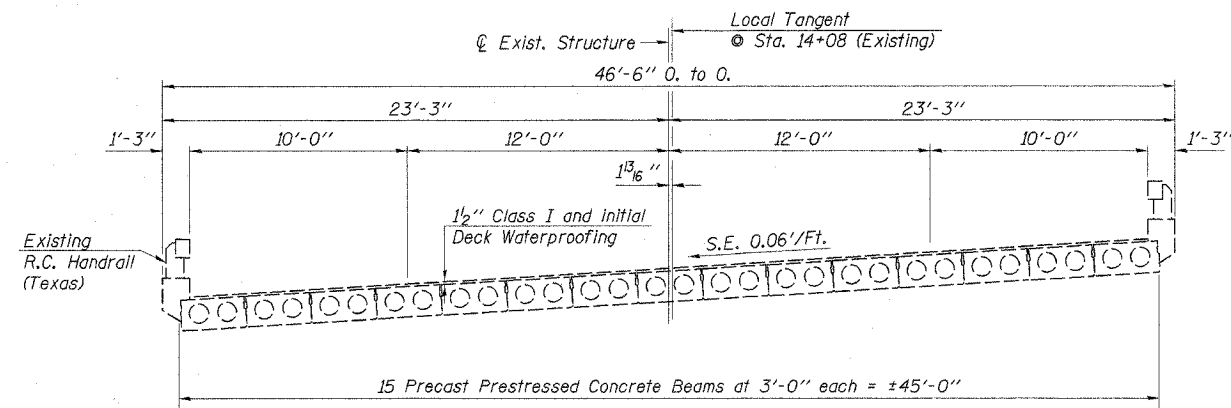
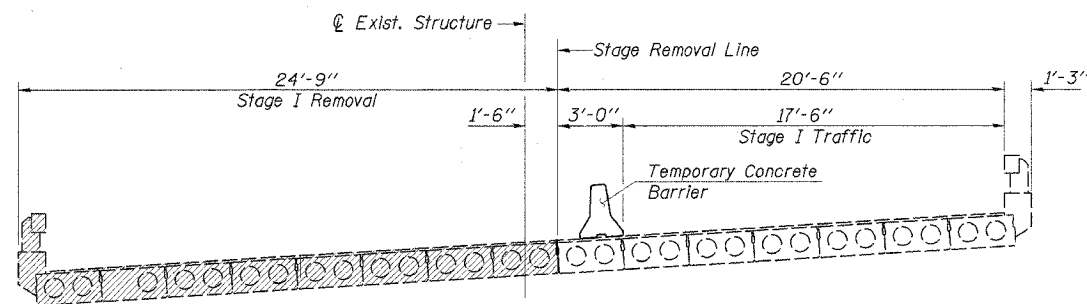


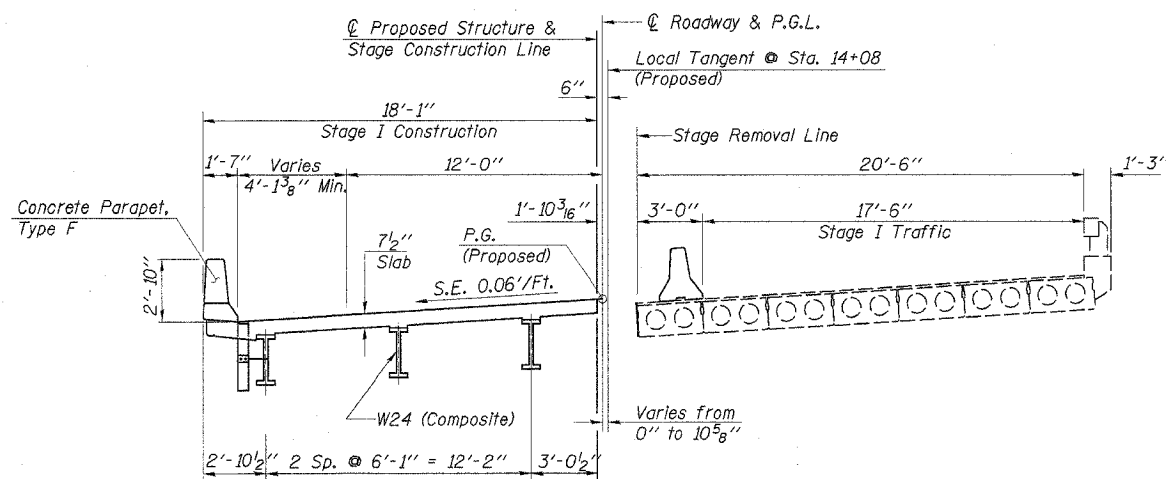
ROUTE NO.	SECTION	COUNTY	TOTAL SHEETS	SHEET NO.
F.A.P. 627	1BR	LaSALLE	46	17
ILLINOIS			CONTRACT NO. 66364	
			Sheet 3 of 20	



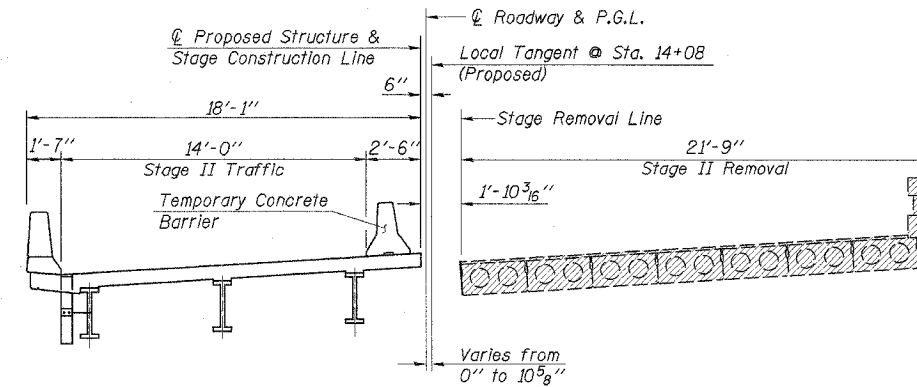
EXISTING CROSS SECTION



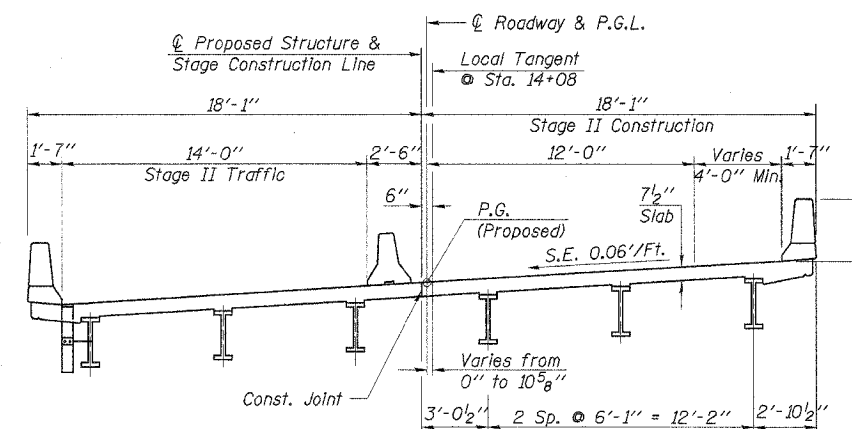
STAGE I REMOVAL



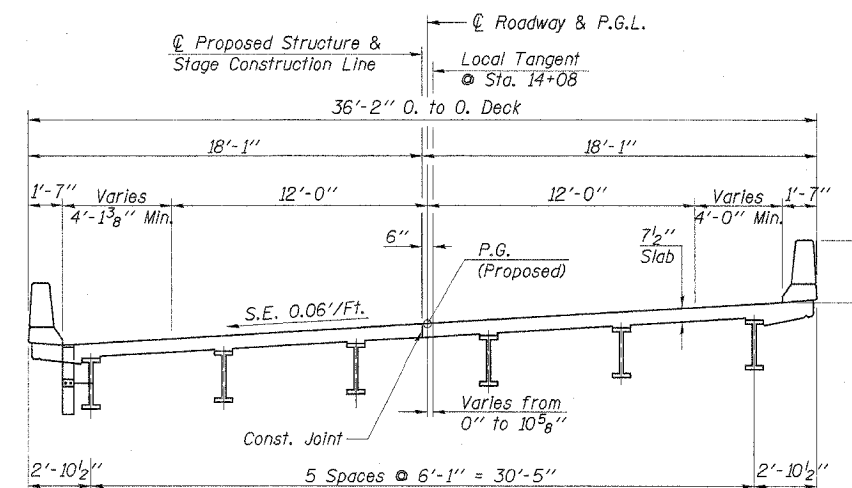
STAGE I CONSTRUCTION



STAGE II REMOVAL



STAGE II CONSTRUCTION



PROPOSED CROSS SECTION

Note: All Deck Cross Section Views are looking Northeast.

DESIGNED	P.S.L.
CHECKED	A.R.K. & F.J.S.
DRAWN	K.T.R.
CHECKED	P.S.L. & A.R.K.

STAGING DETAILS

IL. RTE. 71 OVER UNNAMED STREAM
 F.A.P. ROUTE 627 - SECTION 1BR
 LaSALLE COUNTY
 STA. 14+08.00
 STR. NO. 050-0244

4440 ASH GROVE
 SPRINGFIELD, IL, 62711
 (217) 793-8600
 oasinc@famvid.com

OZYURT AND STONE, INC.
 CONSULTING ENGINEERS

JOB NO.: 0306.4
 FILE: STAGING.DGN
 DATE: 08-31-04