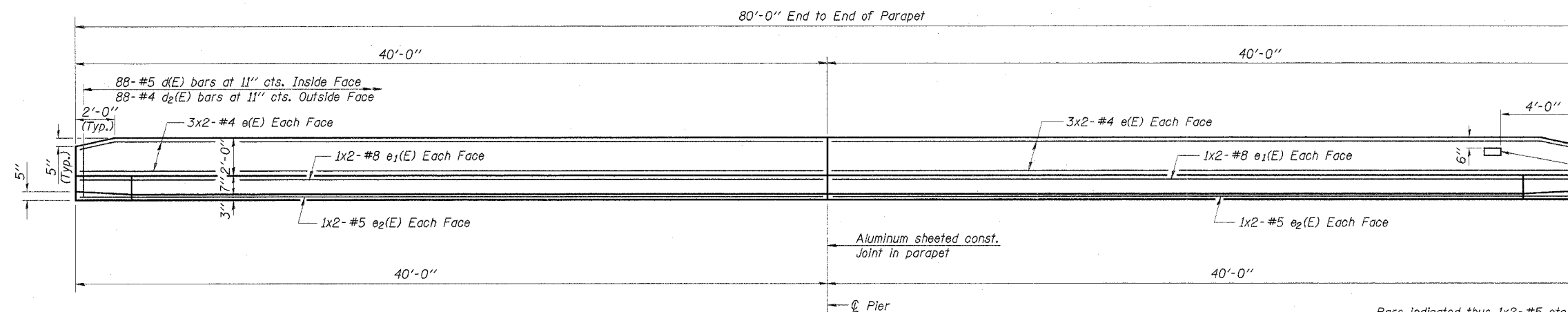


ROUTE NO.	SECTION	COUNTY	TOTAL SHEETS	SHEET NO.
F.A.P. 627	IBR	LaSALLE	46	22
ILLINOIS				

CONTRACT NO. 66364
Sheet 8 of 20



INSIDE ELEVATION OF PARAPET

Locate Name Plate on the Inside face of the West corner of the South Parapet.

Bars indicated thus 1x2-#5 etc. indicates 1 line of bars with 2 lengths per line.

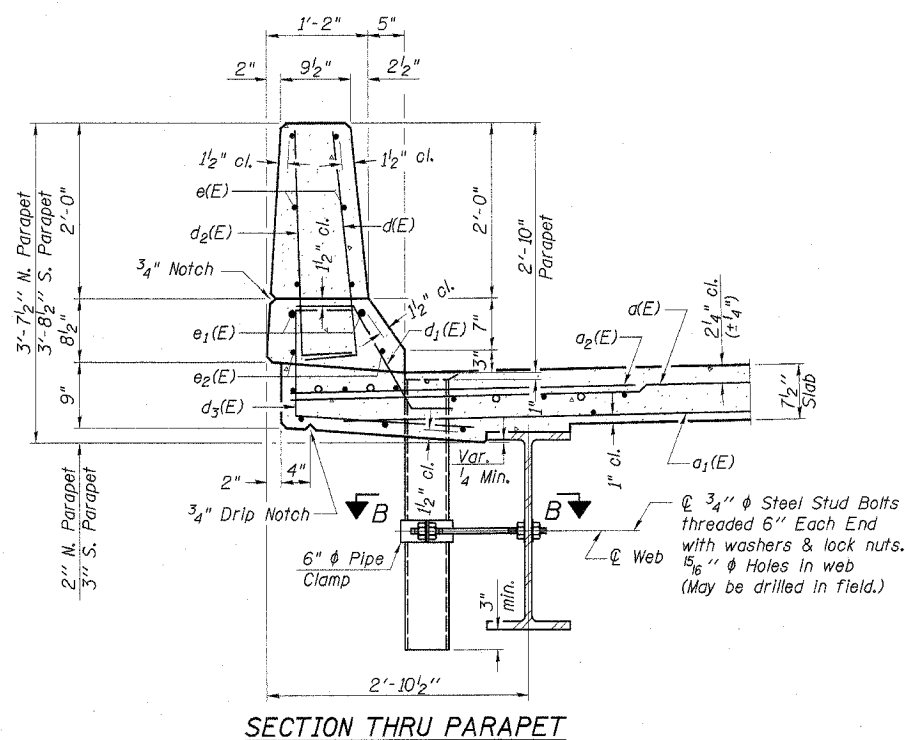
MIN. BAR LAPS

- #4 1'-4"
- #5 1'-8"
- #8 3'-5"

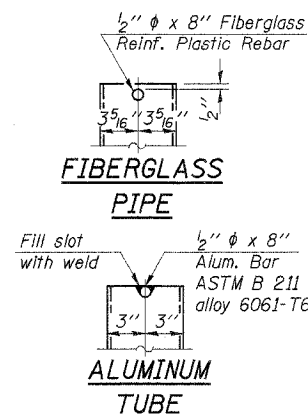
SUPERSTRUCTURE BILL OF MATERIAL

Bar	No.	Size	Length	Shape
a(E)	254	#5	17'-7"	—
a1(E)	190	#5	17'-0"	—
a2(E)	126	#6	4'-0"	—
a3(E)	8	#5	19'-0"	—
b(E)	120	#5	27'-8"	—
b1(E)	37	#6	26'-4"	—
b2(E)	124	#5	21'-3"	—
c(E)	176	#5	3'-0"	—
c1(E)	162	#5	2'-7"	—
c2(E)	176	#4	3'-0"	—
c3(E)	176	#4	4'-0"	—
c4(E)	12	#5	2'-6"	—
d(E)	48	#4	20'-7"	—
d1(E)	16	#8	21'-9"	—
d2(E)	16	#5	20'-9"	—
m(E)	8	#6	18'-0"	—
m1(E)	20	#6	19'-0"	—
m2(E)	8	#6	6'-0"	—
m3(E)	4	#6	2'-10"	—
s(E)	82	#5	5'-9"	—
s1(E)	72	#4	8'-4"	—
v(E)	74	#5	3'-1"	—
Reinforcement Bars, Epoxy Coated			Pound	22,450
Concrete Superstructure			Cu. Yds.	104.8
Protective Coat			Sq. Yd.	360
Bar Splicers			Each	309
Floor Drains			Each	4
Name Plates			Each	1
Bridge Deck Grooving			Sq. Yd.	294

Reinforcement bars designated (E) shall be epoxy coated.

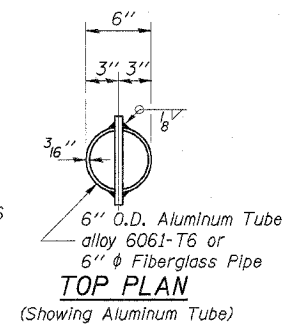


SECTION THRU PARAPET



FIBERGLASS PIPE

ALUMINUM TUBE



TOP PLAN
(Showing Aluminum Tube)

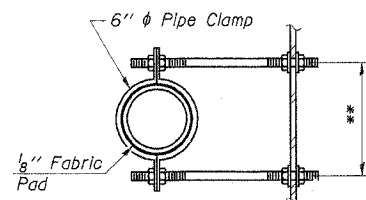
BARS d(E) & d2(E)

BAR d1(E)

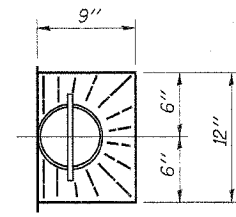
BAR d3(E)

BAR d4(E)

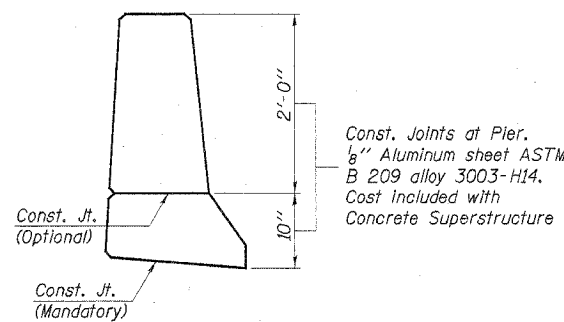
**Dimension as required by Pipe Clamp



SECTION B-B



TOP PLAN



PARAPET JOINT DETAILS

Notes:
Fiberglass pipe shall conform to ASTM D 2996, with short-time rupture strength hoop tensile stress of 30,000 p.s.i. minimum.

Work this sheet with Sheets 6 and 7 of 20.

DESIGNED	P.S.L.
CHECKED	A.R.K. & F.J.S.
DRAWN	K.T.R.
CHECKED	P.S.L. & A.R.K.
S-2-D	9-01-03

4440 ASH GROVE SPRINGFIELD, IL 62711 (217) 793-6800 oasinc@famvid.com	OZYURT AND STONE, INC. CONSULTING ENGINEERS	JOB NO.: 0306.4 FILE: SUPER03.DGN DATE: 08-31-04
--------------------------------------------------------------------------------	-------------------------------------------------------	--------------------------------------------------------

SUPERSTRUCTURE DETAILS
IL. RTE. 71 OVER UNNAMED STREAM
F.A.P. ROUTE 627 - SECTION 1BR
LaSALLE COUNTY
STA. 14+08.00
STR. NO. 050-0244