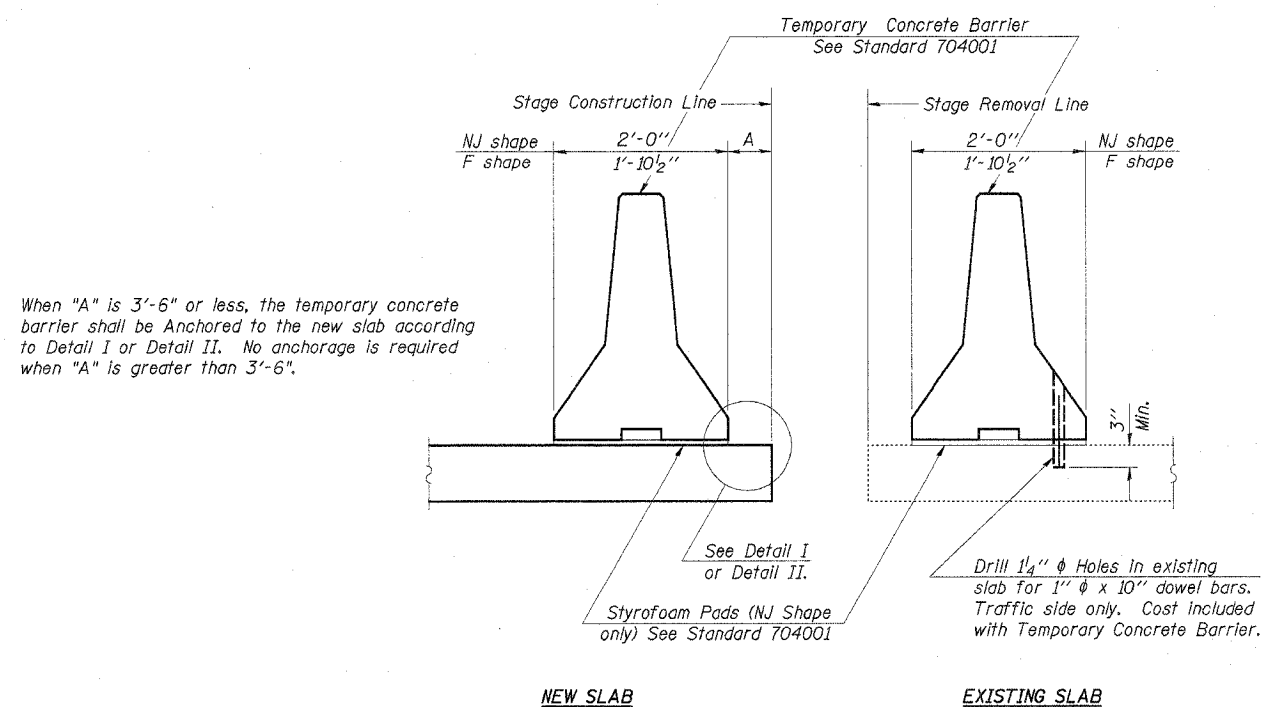


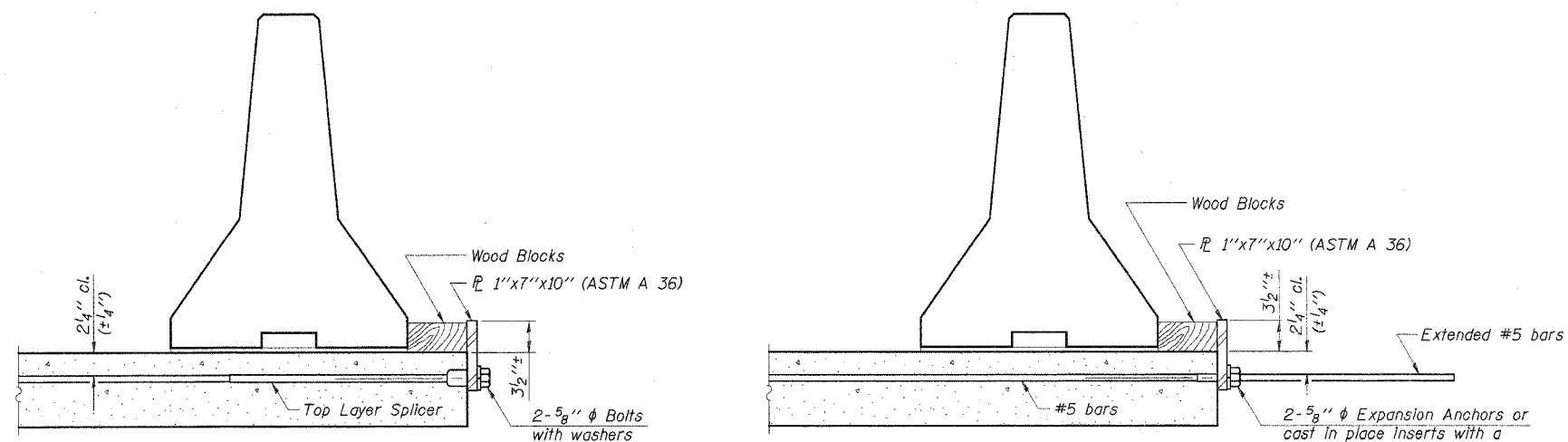
ROUTE NO.	SECTION	COUNTY	TOTAL SHEETS	SHEET NO.
F.A.P. 627	IBR	LaSALLE	46	31

ILLINOIS
CONTRACT NO. 66364
Sheet 17 of 20



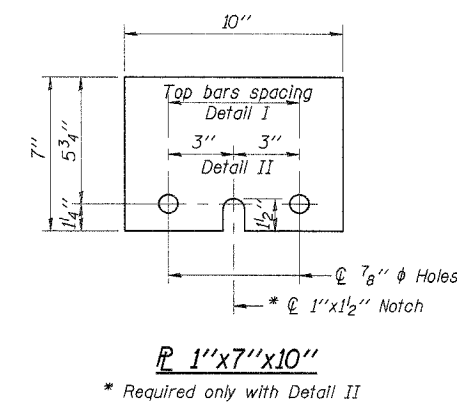
NOTES

- Detail I - With Bar Splicer or Couplers:
Connect one (1) 1"x7"x10" steel \bar{P} to the top layer of couplers with 2-5/8" ϕ bolts screwed to coupler at approximate \bar{C} of each barrier panel.
- Detail II - With Extended Reinforcement Bars:
Connect one (1) 1"x7"x10" steel \bar{P} to the concrete slab with 2-5/8" ϕ Expansion Anchors or cast in place inserts spaced between the top layer of reinforcement at approximate \bar{C} of each barrier panel.
Cost of anchorage is included with Temporary Concrete Barrier.



DETAIL I
The 1"x7"x10" Plate shall not be removed until Stage II Construction forms and reinforcement bars are in place.

DETAIL II
The 1"x7"x10" Plate shall not be removed until Stage II Construction forms and all reinforcement bars are in place and the concrete is ready to be placed.



DESIGNED	P.S.L.
CHECKED	A.R.K. & F.J.S.
DRAWN	K.T.R.
CHECKED	P.S.L. & A.R.K.
R-27	10-31-02

TEMPORARY CONCRETE BARRIER FOR STAGE CONSTRUCTION
IL. RTE. 71 OVER UNNAMED STREAM
F.A.P. ROUTE 627 - SECTION 1BR
LaSALLE COUNTY
STA. 14+08.00
STR. NO. 050-0244

4440 ASH GROVE SPRINGFIELD, IL 62711 (217) 993-8600 oasinc@famvid.com	OZYURT AND STONE, INC. CONSULTING ENGINEERS	JOB NO.: 0306.4 FILE: BARRIER.DGN DATE: 08-31-04
--	---	--