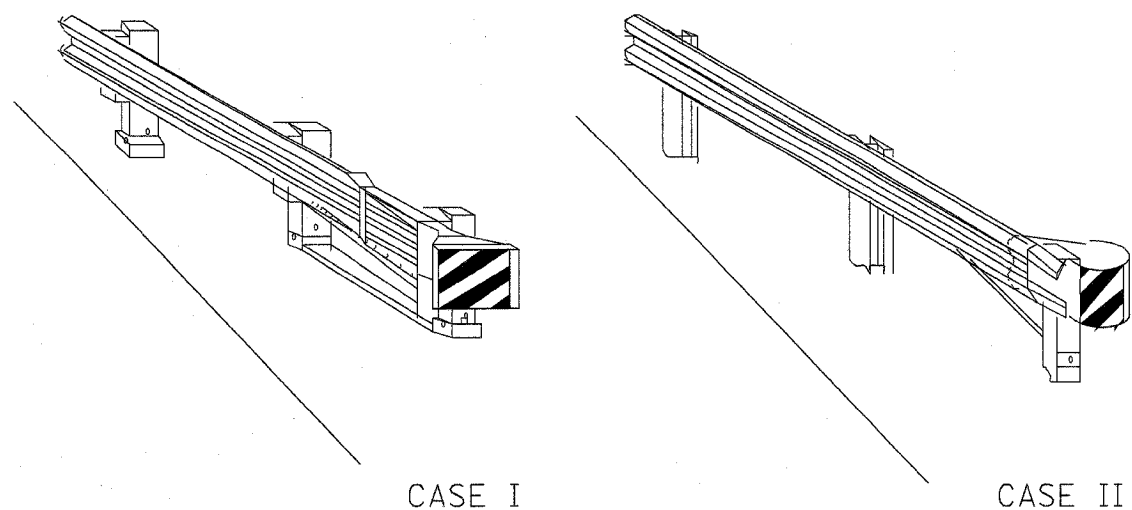


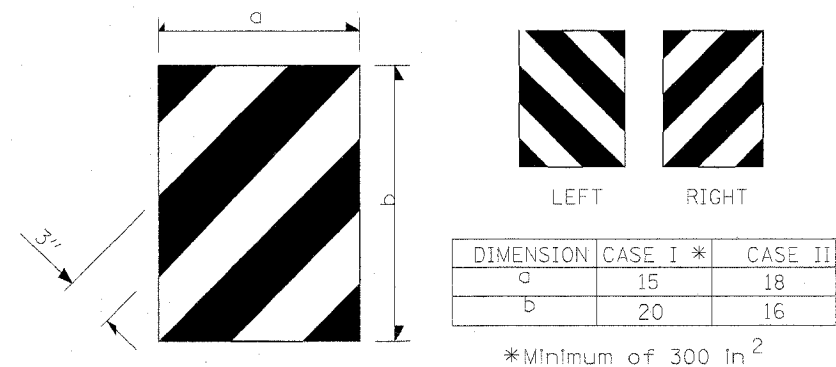
ROUTE NO.	SECTION	COUNTY	TOTAL SHEETS	SHEET NO.
FAP 627	1 BR	LaSALLE	46	42
ILLINOIS				

CONTRACT NO. 66364



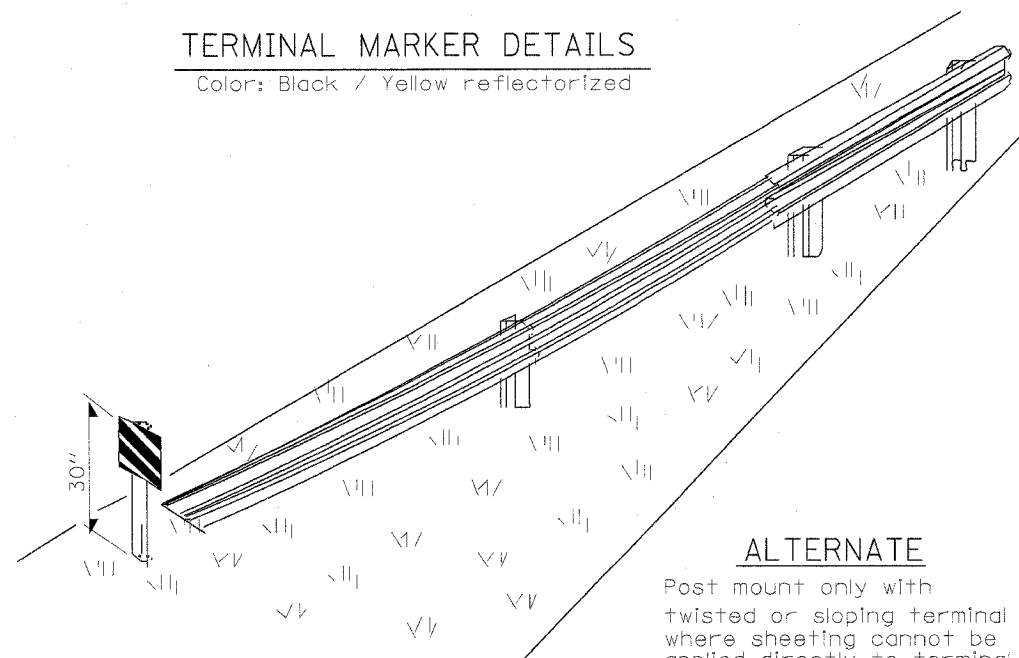
CASE I

CASE II



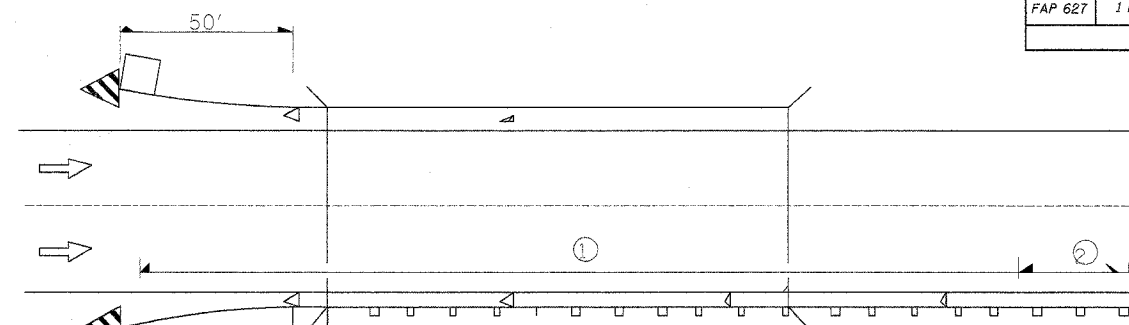
**TERMINAL MARKER DETAILS**

Color: Black / Yellow reflectorized



**ALTERNATE**

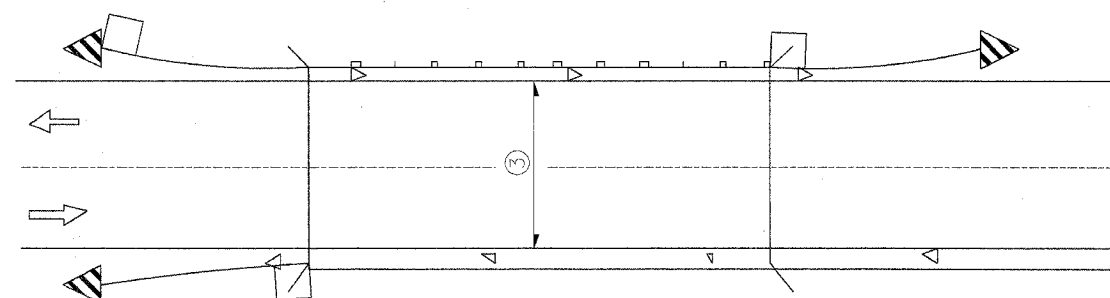
Post mount only with twisted or sloping terminal where sheeting cannot be applied directly to terminal.



① Spacing 80 ft max. for first 400 ft or curve spacing shown in Standard 635001, whichever is less (min. 4 reflectors regardless of length).

② After 400 ft, transition to normal delineator spacing shown in Standard 635001, and continue as required.

ONE-WAY TRAFFIC

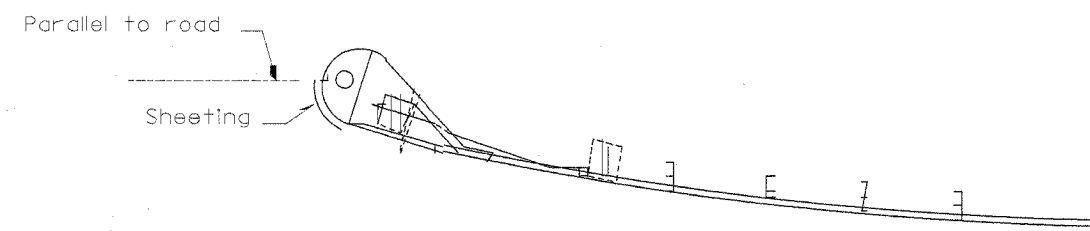


③ Bidirectional silver/silver should be used in lieu of monodirectional silver on both sides of two-lane bridges where the pavement is less than 24" wider than the pavement approaching the bridge.

- ◁ Monodirectional silver
- ◄ Monodirectional amber
- ▤ Terminal Marker - Black/Yellow Left or Right as appropriate

TWO-WAY TRAFFIC

**GUARDRAIL / BARRIER WALL / BRIDGE RAIL REFLECTORS**



SHEETING POSITION: CASE II

**REFLECTOR AND TERMINAL MARKER PLACEMENT**

635-1

**MISCELLANEOUS DETAILS**

IL. RTE. 71 OVER UNNAMED STREAM  
 F.A.P. RTE. 627 - SECTION 1BR  
 LaSALLE COUNTY  
 STA. 14+08.00  
 STR. NO. 050-0244

4440 ASH GROVE  
 SPRINGFIELD, IL 62707  
 (217) 793-8600  
 oasinc@tamvid.com

**OZYURT AND STONE, INC.**  
 CONSULTING ENGINEERS

JOB NO.: 0306.4  
 FILE: DET04.DGN  
 DATE: 07-20-05