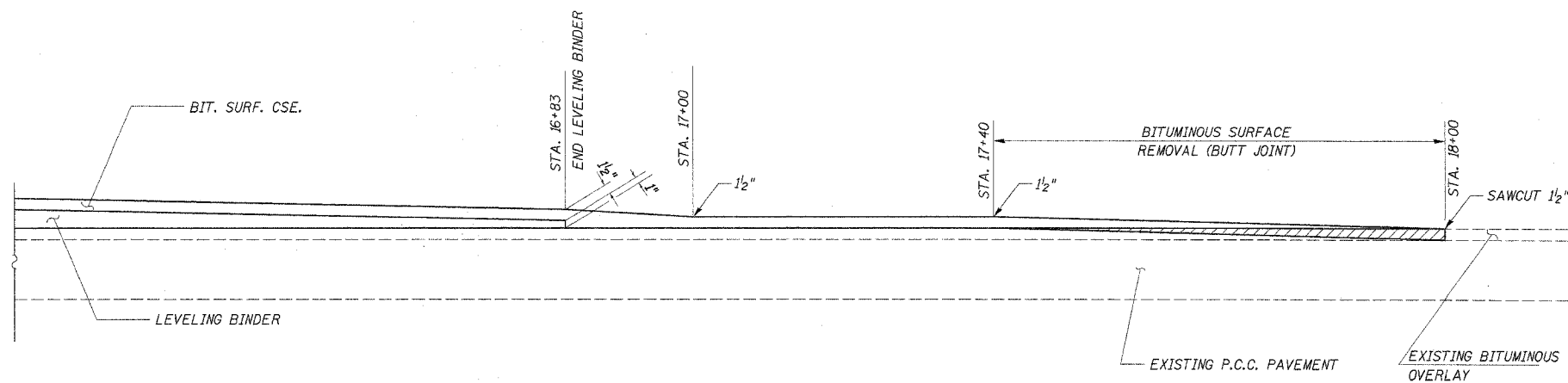
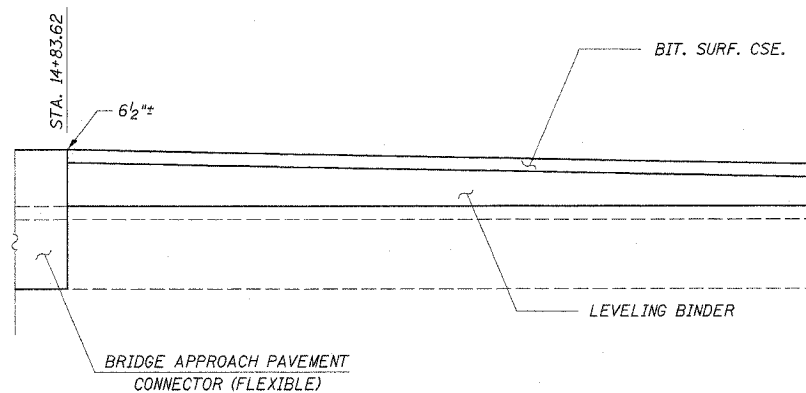
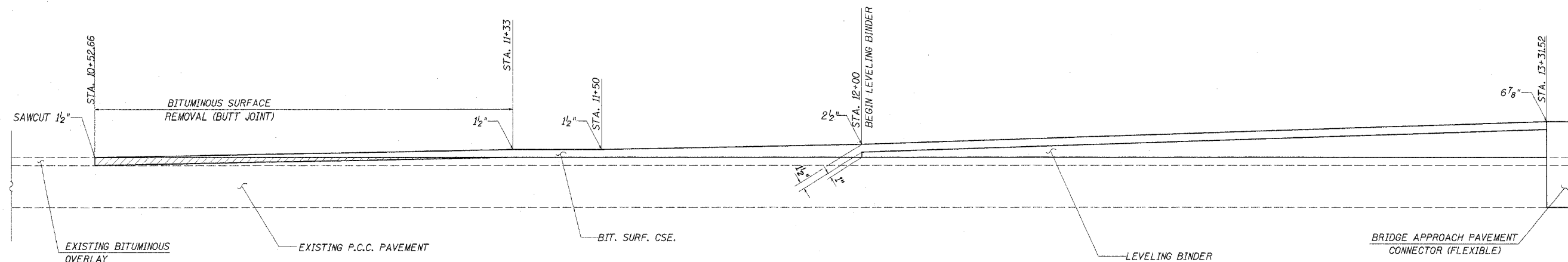


ROUTE NO.	SECTION	COUNTY	TOTAL SHEETS	SHEET NO.
FAP 627	1 BR	LoSALLE	46	43

ILLINOIS
CONTRACT NO. 66364



RESURFACING DETAILS
 IL. RTE. 71 OVER UNNAMED STREAM
 F.A.P. RTE. 627 - SECTION 1BR
 LoSALLE COUNTY
 STA. 14+08.00
 STR. NO. 050-0244

4440 ASH GROVE
 SPRINGFIELD, IL 62707
 (217) 793-8600
 oasinc@famvid.com

OZYURT AND STONE, INC.
 CONSULTING ENGINEERS

JOB NO.: 0306.4
 FILE: det03.dgn
 DATE: 07-20-05