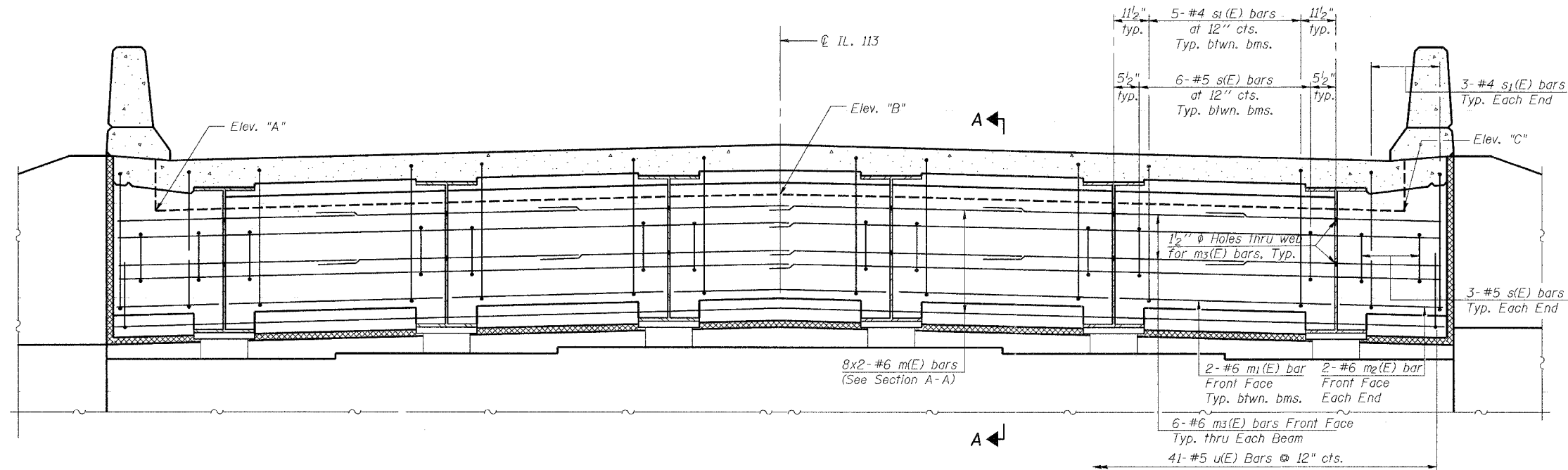


STATE OF ILLINOIS
DEPARTMENT OF TRANSPORTATION

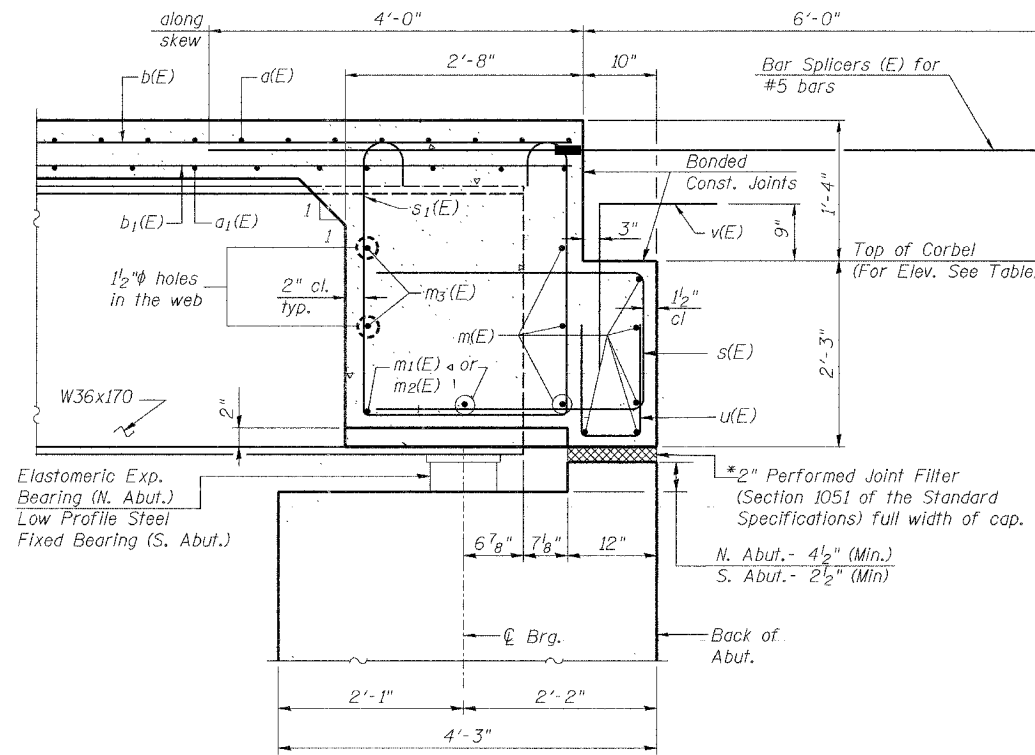
SECTION	COUNTY	TOTAL SHEETS	SHEET NO.	SHEET NO. 6
IL 113	109BR, N	KANKAKEE COUNTY	58	23
14 SHEETS				
FED. ROAD DIST. NO. 7	ILLINOIS	FED. AID PROJECT-		
CONTRACT # 66410				



DIAPHRAGM ELEVATION AT ABUTMENT
(Shown North Abutment, South Abutment Similar)

Notes:
Reinforcement bars in diaphragm are billed with superstructure on sheet 5 of 14.
Concrete in diaphragm is included with Concrete Superstructure on sheet 5 of 14.
For details of bars s(E) & s₁(E) see sheet 5 of 14.
The s(E) and s₁(E) bars shall be placed parallel to the beams. Spacing for these bars shall be at right angles to the beams.
For anchor bolt details see sheet 9 of 14.

MIN. BAR LAP
#6 bar = 2'-9"



SECTION A-A

Dimensions at right angles to abutment, except as shown.
* Cost included with Concrete Superstructure.

TOP OF CORBEL ELEVATION TABLE

Location	North Abutment	South Abutment
"A"	589.33	589.28
"B"	589.57	589.57
"C"	589.28	589.33

DESIGNED	M.R./R.A.
CHECKED	H.T.
DRAWN	J.S.
CHECKED	H.T./M.R.

DIAPHRAGM DETAILS
IL. 113 OVER WILEY CREEK (PUBLIC WATERS)
FAS ROUTE 1317 (IL 113), SECTION 109BR, N
KANKAKEE COUNTY
STATION 260+00.00
STRUCTURE NO. 046-0137

SCALE: NONE DATE: AUGUST, 2005
Soodan & Associates, Inc.
100 North LaSalle Street, Suite 1800
Chicago, Illinois 60602