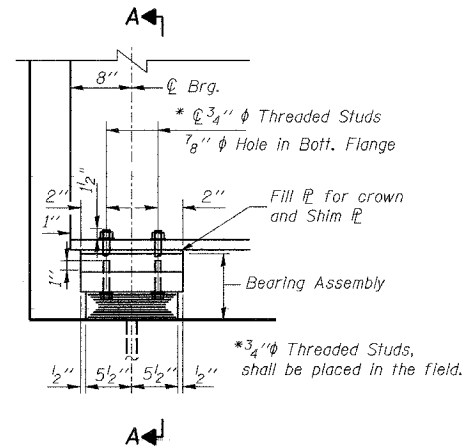


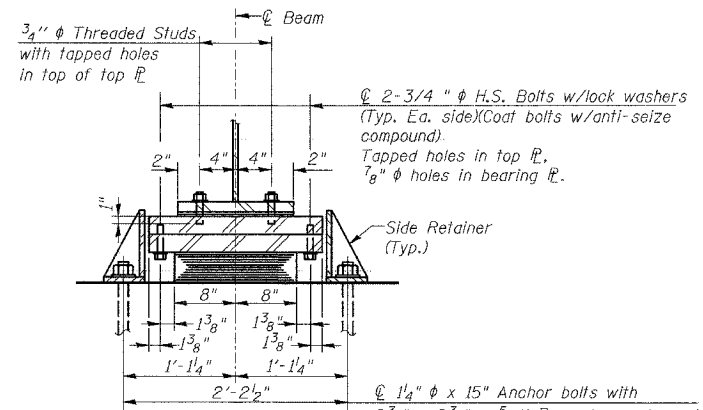
STATE OF ILLINOIS
DEPARTMENT OF TRANSPORTATION

SECTION	COUNTY	TOTAL SHEETS	SHEET NO.	SHEET NO. 8
IL 113	109BR, N	KANKAKEE COUNTY	58	25
FED. ROAD DIST. NO. 7	ILLINOIS	FED. AID PROJECT-		14 SHEETS

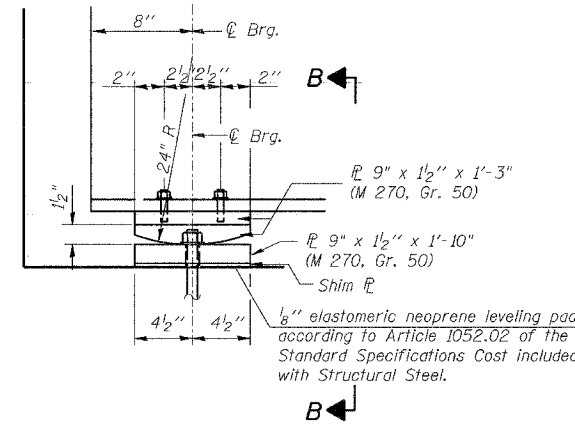
CONTRACT # 66410



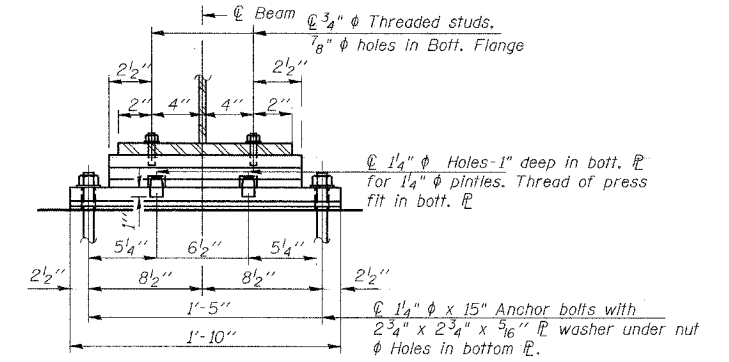
ELEVATION AT N. ABUT.



SECTION A-A



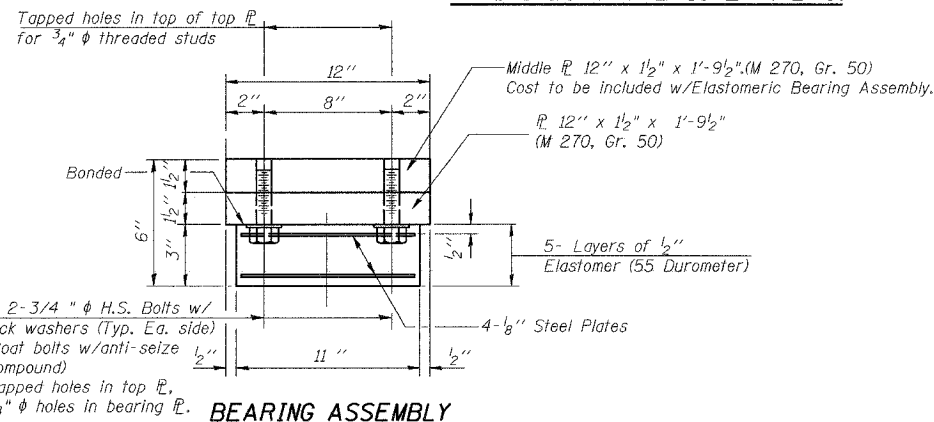
ELEVATION AT S. ABUT.



SECTION B-B

TYPE I ELASTOMERIC EXP. BRG.

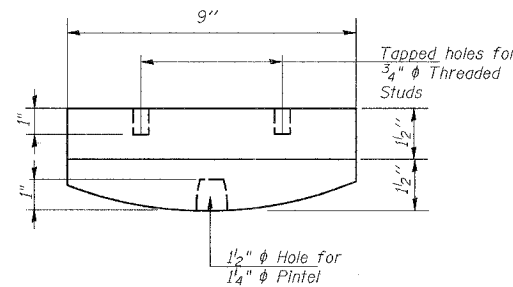
Notes:
Anchor bolts at fixed bearings may be built into the masonry.
See sheet 9 for Anchor Bolt installation.



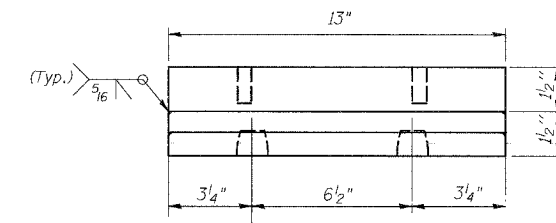
BEARING ASSEMBLY

Note: Shim plates shall not be placed under Bearing Assembly.

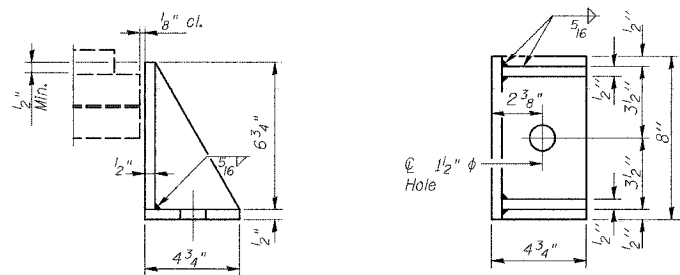
FIXED BEARING



ELEVATION OF STEEL EXTENSION

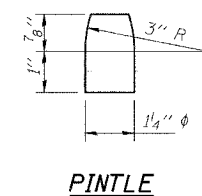


END VIEW STEEL EXTENSION



SIDE RETAINER AT ABUTMENT

Equivalent rolled angle with stiffeners will be allowed in lieu of welded plates.
Weight included with Structural Steel.



PINTLE

DESIGNED	M.R./R.A.
CHECKED	H.T.
DRAWN	J.S.
CHECKED	H.T./M.R.

BILL OF MATERIAL

Item	Unit	Total
Elastomeric Bearing Assembly Type I	Each	6

BEARING DETAILS

IL. 113 OVER WILEY CREEK (PUBLIC WATERS)
FAS ROUTE 1317 (IL 113), SECTION 109BR, N
KANKAKEE COUNTY
STATION 260+00.00
STRUCTURE NO. 046-0137

SCALE: NONE DATE: AUGUST, 2005

Soodan & Associates, Inc.
100 North LaSalle Street, Suite 1800
Chicago, Illinois 60602