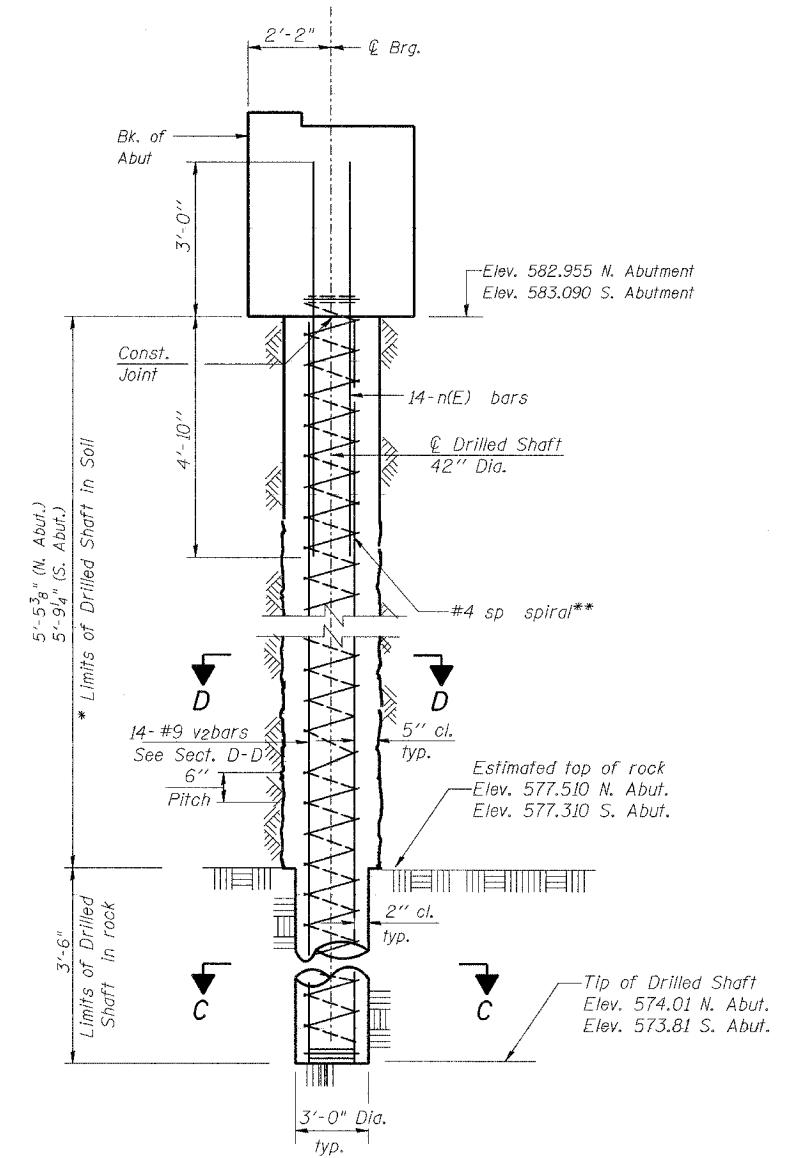
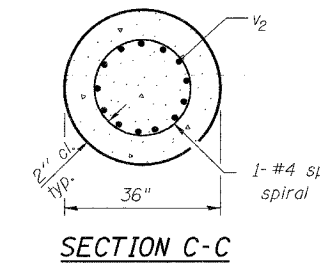
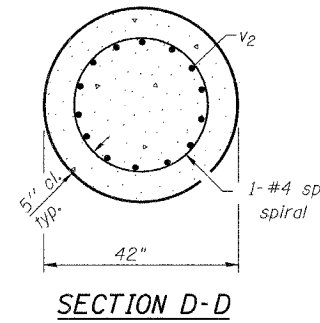
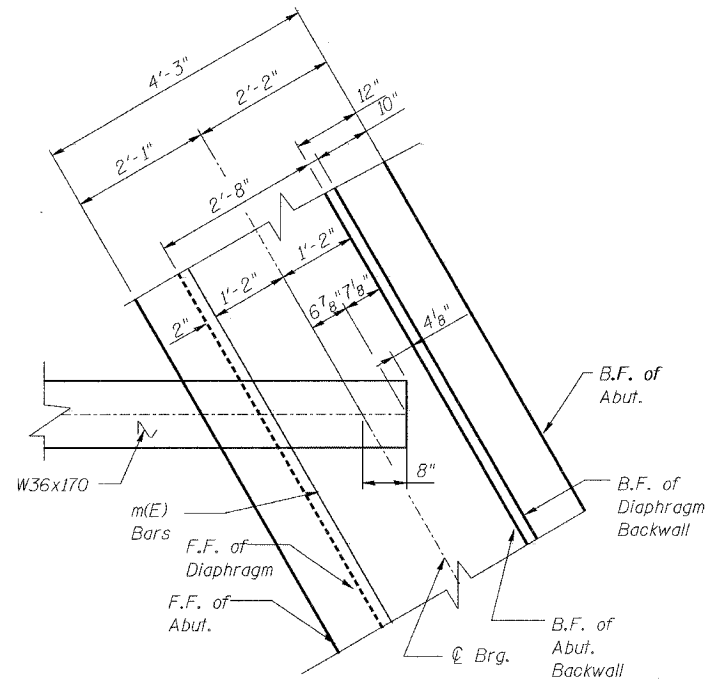
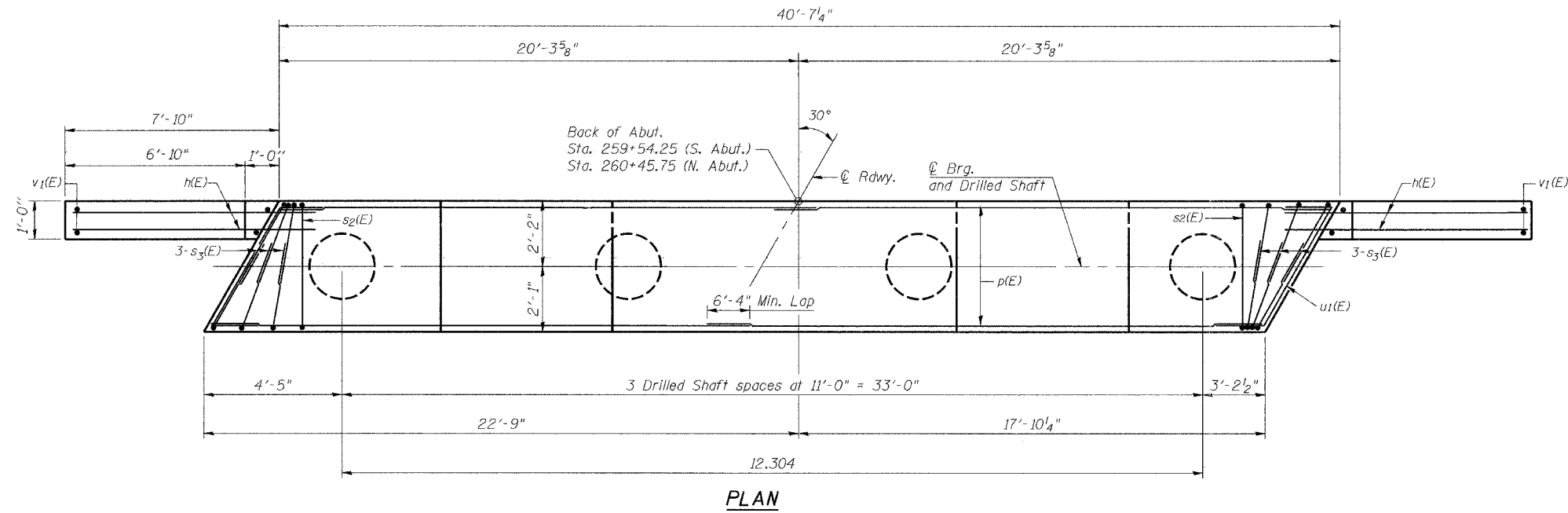


STATE OF ILLINOIS
DEPARTMENT OF TRANSPORTATION

SECTION	COUNTY	TOTAL SHEETS	SHEET NO.	SHEET NO. 11 14 SHEETS	
IL 113	109BR, N	KANKAKEE COUNTY	58		28
FED. ROAD DIST. NO. 7	ILLINOIS	FED. AID PROJECT-	CONTRACT # 66410		



Notes: * The quantities and detailing are based on the estimated elevations shown on the plans. The actual elevations may differ at each shaft and corresponding adjustments shall be made to the drilled shaft and reinforcement quantities and payment limits.
Reinforcement bars designated (E) shall be epoxy coated. Quantity of concrete in end post included with Concrete Superstructure on sheet 10 of 14.
** Provide 1/2 extra turns top and bottom of each drilled shaft. Extend spiral 2" into abutment or wingwall cap. Provide min. 4-#4 spacers or equivalent.
Min. lap for spirals = 1'-4"

DESIGNED	M.R./R.A.
CHECKED	H.T.
DRAWN	J.S.
CHECKED	H.T./M.R.

ABUTMENT DETAILS
IL. 113 OVER WILEY CREEK (PUBLIC WATERS)
FAS ROUTE 1317 (IL 113), SECTION 109BR, N
KANKAKEE COUNTY
STATION 260+00.00
STRUCTURE NO. 046-0137

SCALE: NONE DATE: AUGUST, 2005
Soodan & Associates, Inc.
100 North LaSalle Street, Suite 1800
Chicago, Illinois 60602