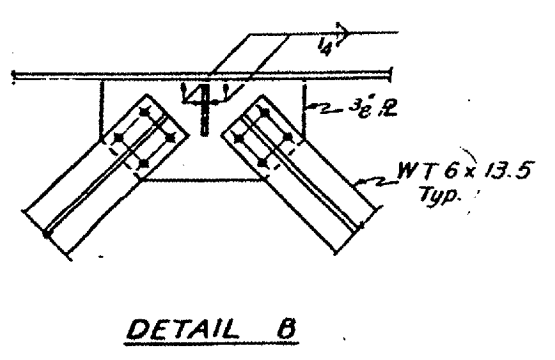
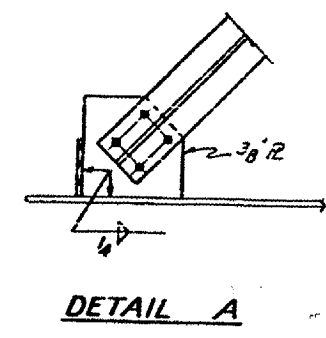
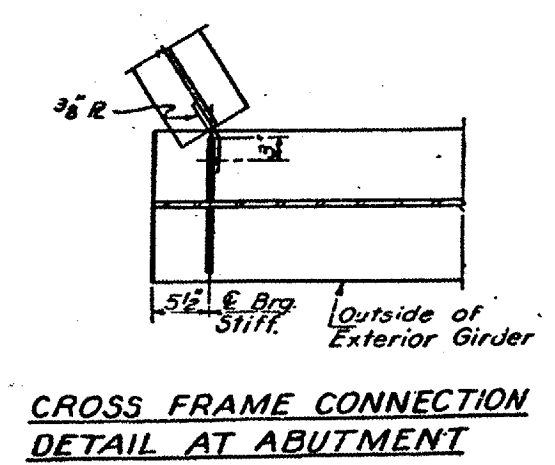
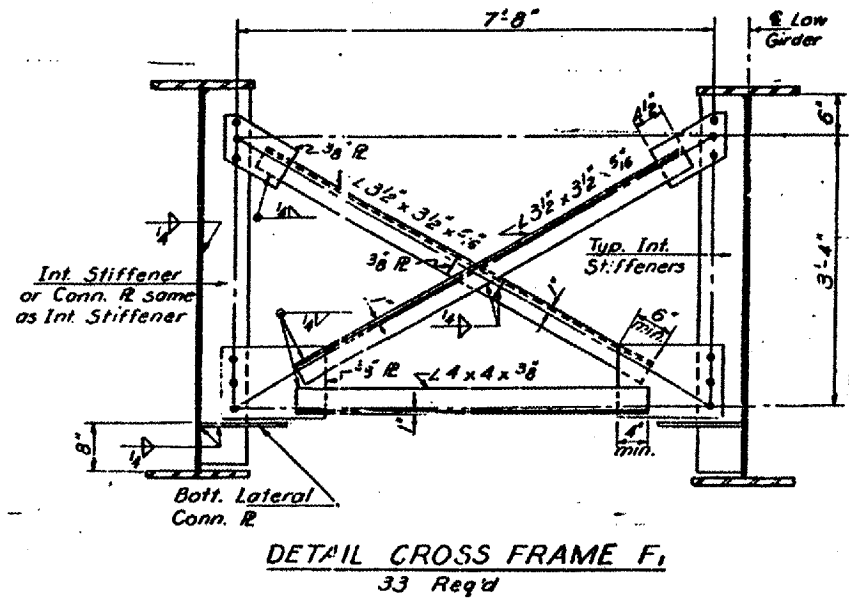
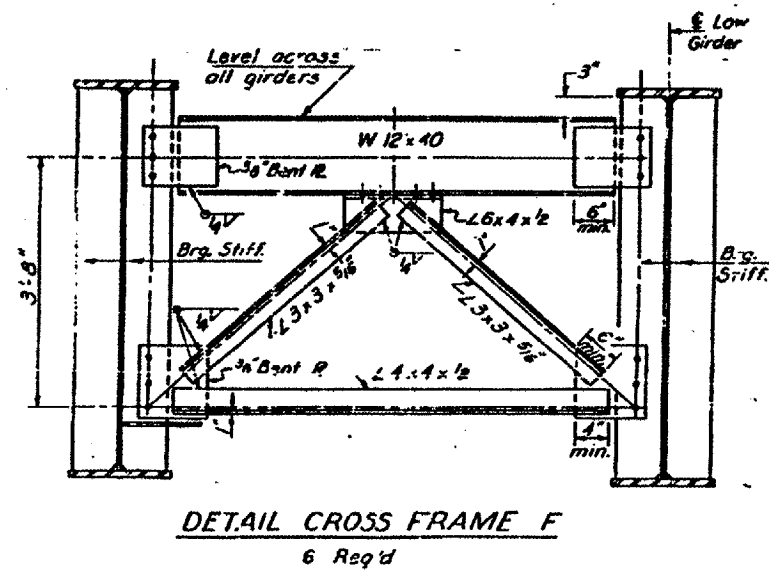
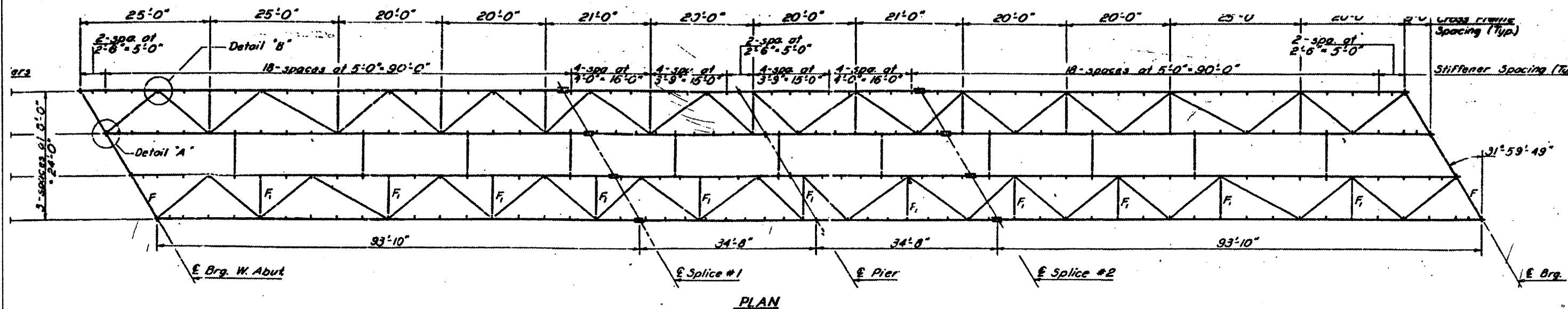


ROUTES	SECTION	COUNTY	TOTAL SHEETS	SHEET NO.
FAI 55 & FAP 673	D-3 BRIDGE PAINTING 2005-2	LIVINGSTON	17	12
ILLINOIS				



FOR INFORMATION ONLY

REVISIONS	
NAME	DATE

ILLINOIS DEPARTMENT OF TRANSPORTATION

EXISTING STRUCTURE

LOCATION #2

S.N. 053-0130

Date: 03/23/05
c:/projects/bridgepaint05/bp2005-2/details.dgn