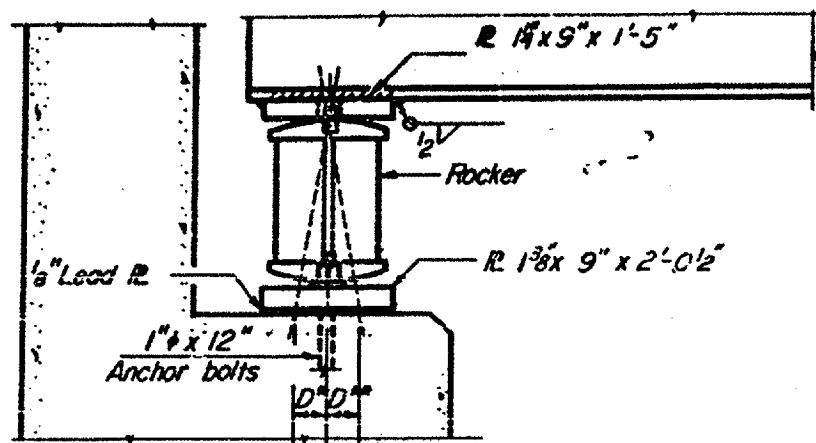
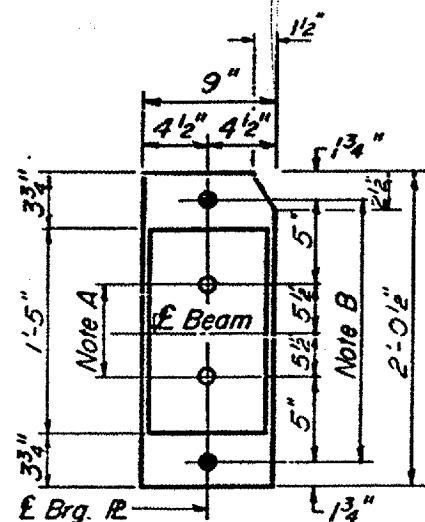


ROUTES	SECTION	COUNTY	TOTAL SHEETS	SHEET NO.
FAL 55 & FAP 673	D-3 BRIDGE PAINTING 2005-2	LIVINGSTON	17	13
ILLINOIS				



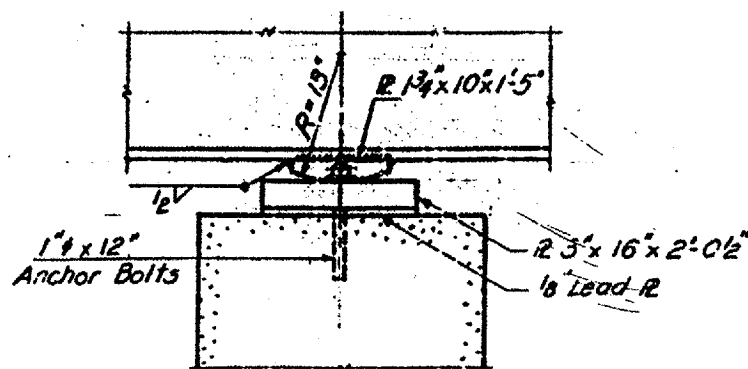
SECTION

Anchor bolts for steel erection at various temperatures

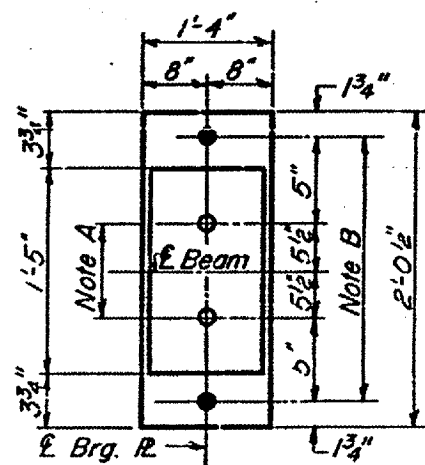


PLAN

AT ABUTMENT

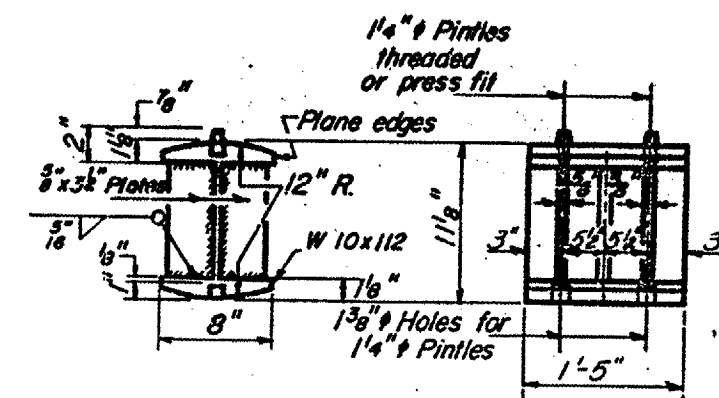


SECTION



PLAN

AT PIER



ROCKER

NOTE A
 1 3/8" Holes - 1" deep in top R.
 for pintles. Thread or press fit
 pintles into bottom R.

NOTE B
 1 1/2" Holes for 1" anchor bolts.
 16 x 2 1/2" x 2 1/2" R. Washers
 under nut.

BEARING ASSEMBLY DETAILS

REVISIONS	
NAME	DATE

ILLINOIS DEPARTMENT OF TRANSPORTATION
EXISTING STRUCTURE
LOCATION #2
S.N. 053-0130

FOR INFORMATION ONLY