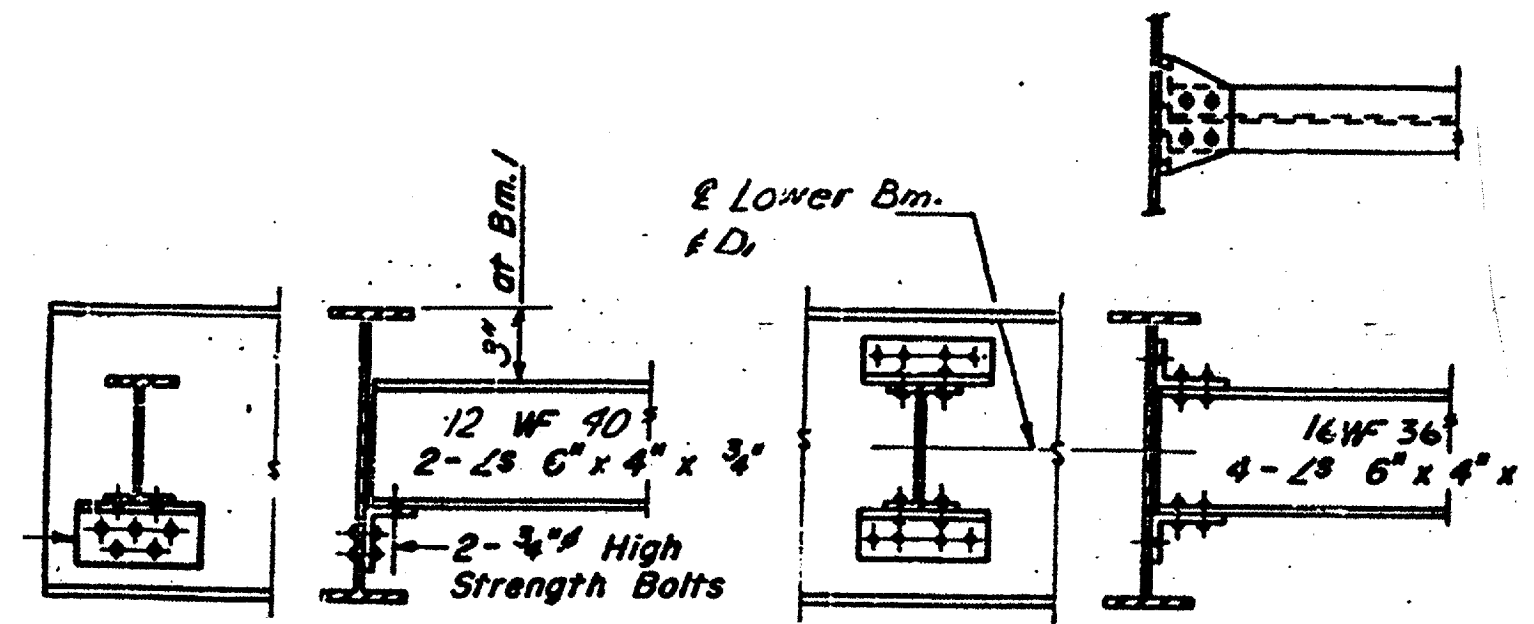
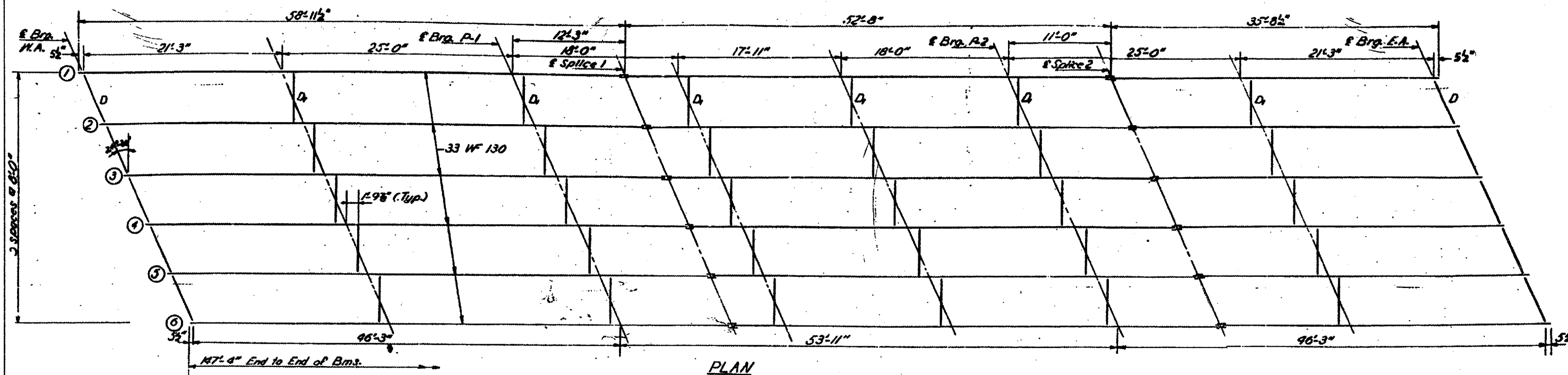


ROUTES	SECTION	COUNTY	TOTAL SHEETS	SHEET NO.
FAI 55 & FAP 673	D-3 BRIDGE PAINTING 2005-2	LIVINGSTON	17	16
ILLINOIS				



**DIAPHRAGM D**  
A) Required

**DIAPHRAGM D1**  
30 Required

**FOR INFORMATION ONLY**

REVISIONS	
NAME	DATE

ILLINOIS DEPARTMENT OF TRANSPORTATION  
**EXISTING STRUCTURE**  
**LOCATION #3**  
**S.N. 053-0065**

Date: 03/23/05  
C:\projects\bridgepoint05\bp2005-2\details.dgn