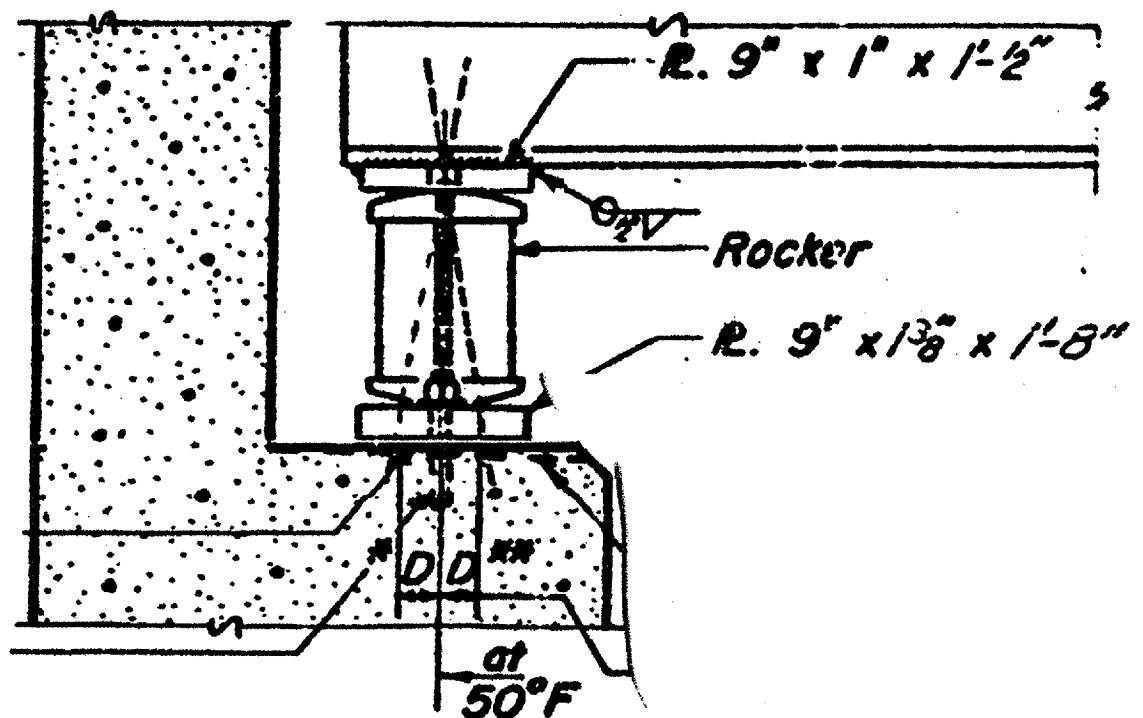
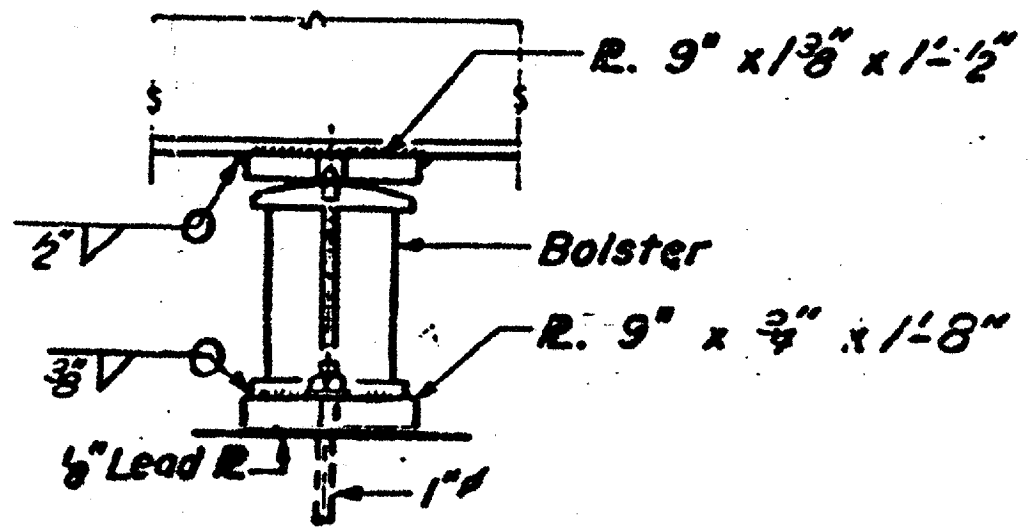
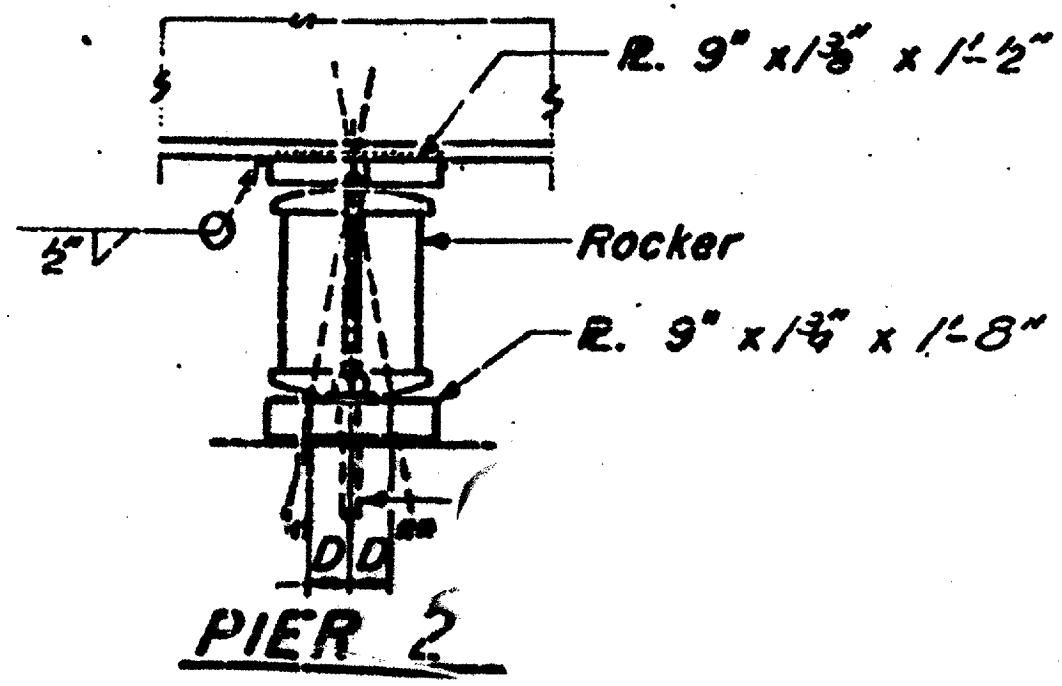


ROUTES	SECTION	COUNTY	TOTAL SHEETS	SHEET NO.
FAI 55 & FAP 673	D-3 BRIDGE PAINTING 2005-2	LIVINGSTON	17	17
ILLINOIS				



**SECTION AT ABUTMENT**



**PIER 1**

**FOR INFORMATION ONLY**

REVISIONS	
NAME	DATE

ILLINOIS DEPARTMENT OF TRANSPORTATION  
**EXISTING STRUCTURE**  
**LOCATION #3**  
**S.N. 053-0065**

Date: 03/23/05  
 c:\projects\bridgepaint\05\bp2005-2\details.dgn