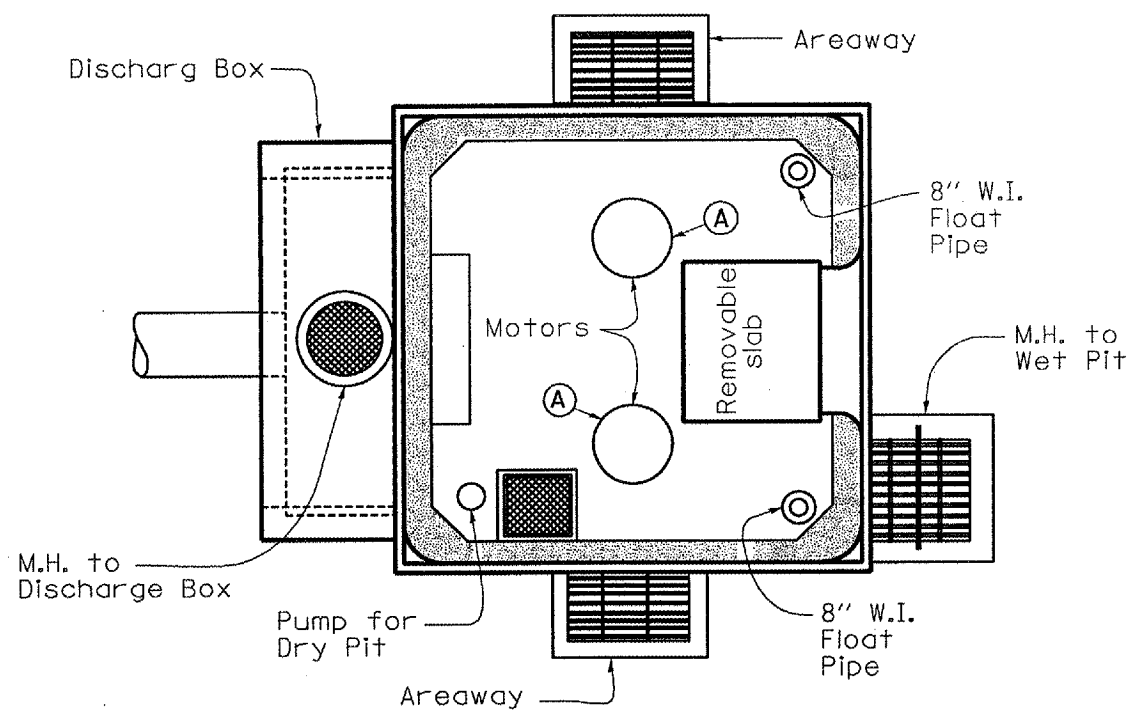
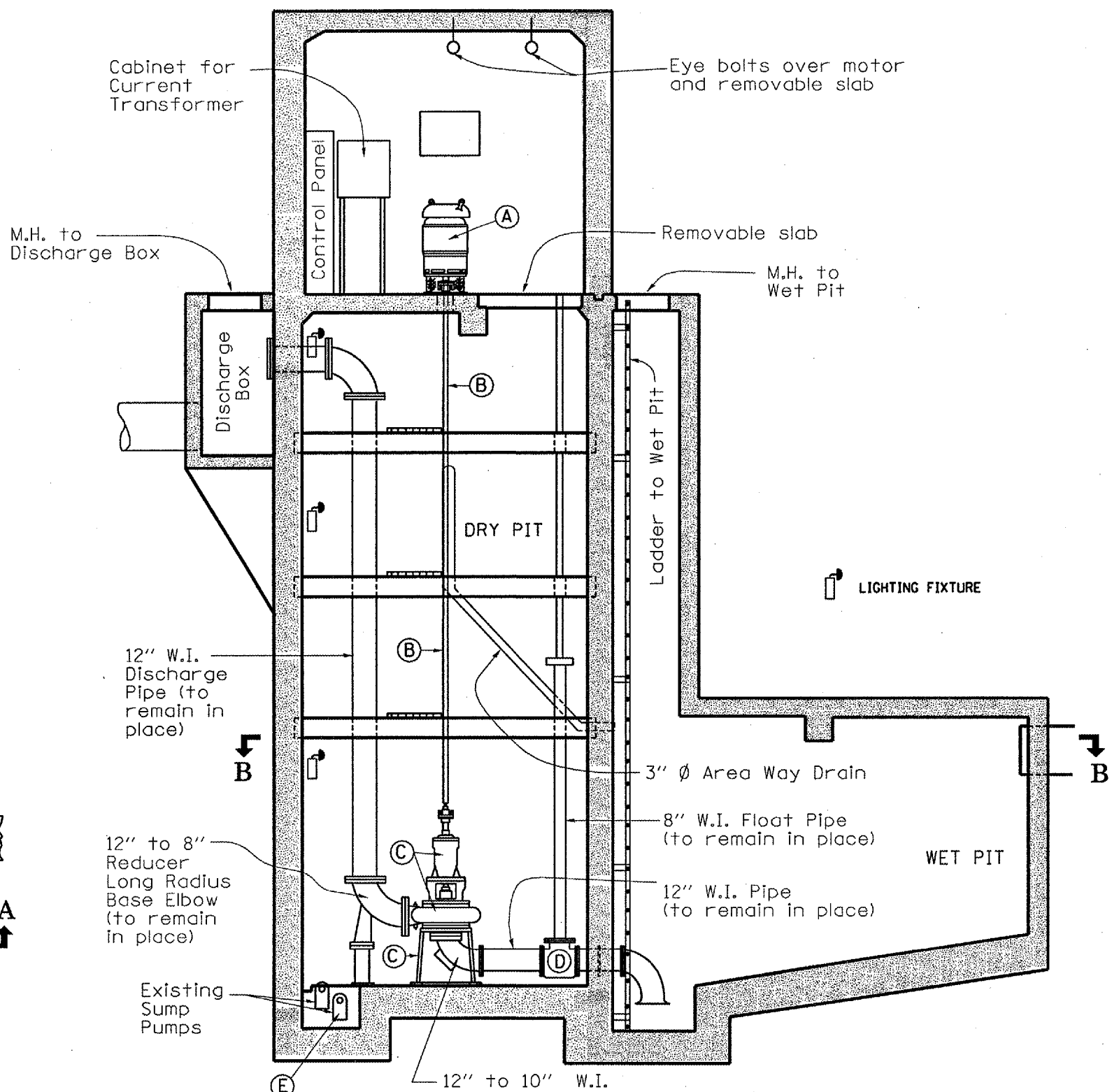


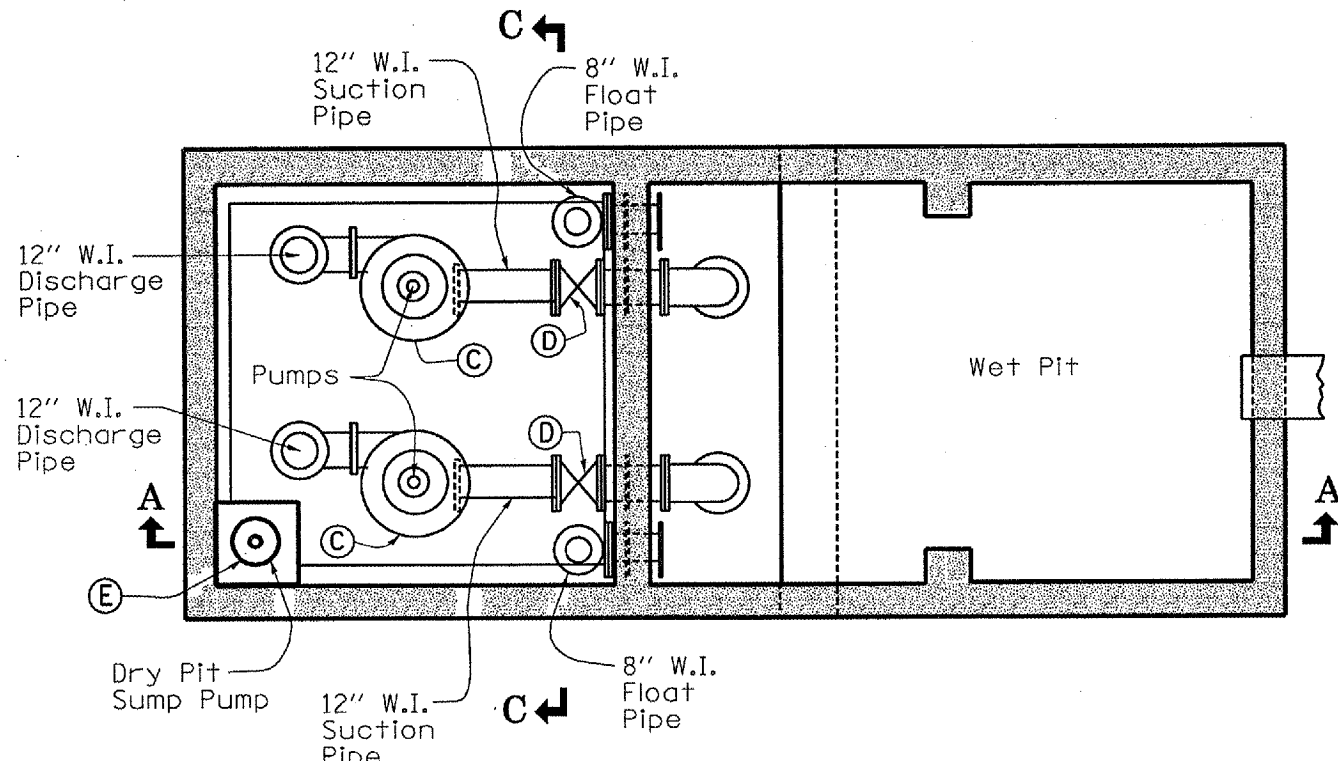
F.A.P. RTE.	SECTION	COUNTY	TOTAL SHEETS	SHEET NO.
649	(107)I-2	LIVINGSTON	7	5



PLAN



SECTION A-A



SECTION B-B

- (A) Remove and replace existing motor
- (B) Remove and replace shaft and bearing assemblies.
- (C) Remove and replace pump, bracket and accessories.
- (D) Remove and replace 12" gate valve.
- (E) Remove sump pump and associated piping.

REVISIONS	
NAME	DATE

ILLINOIS DEPARTMENT OF TRANSPORTATION
PUMP HOUSE DETAILS
 READING PUMPING STATION
 FAP 649
 SECTION (107)I-2
 LIVINGSTON COUNTY
 SCALE: VERT. _____
 HORIZ. _____
 DATE: 08/12/2005
 DRAWN BY: RW
 CHECKED BY: _____

DATE: JULY 29, 2005
 FILE: c:/projects/cmain06/cm319/details.dgn