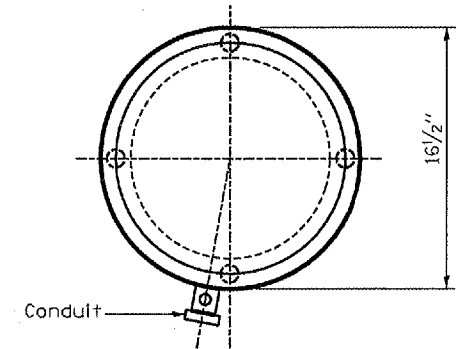
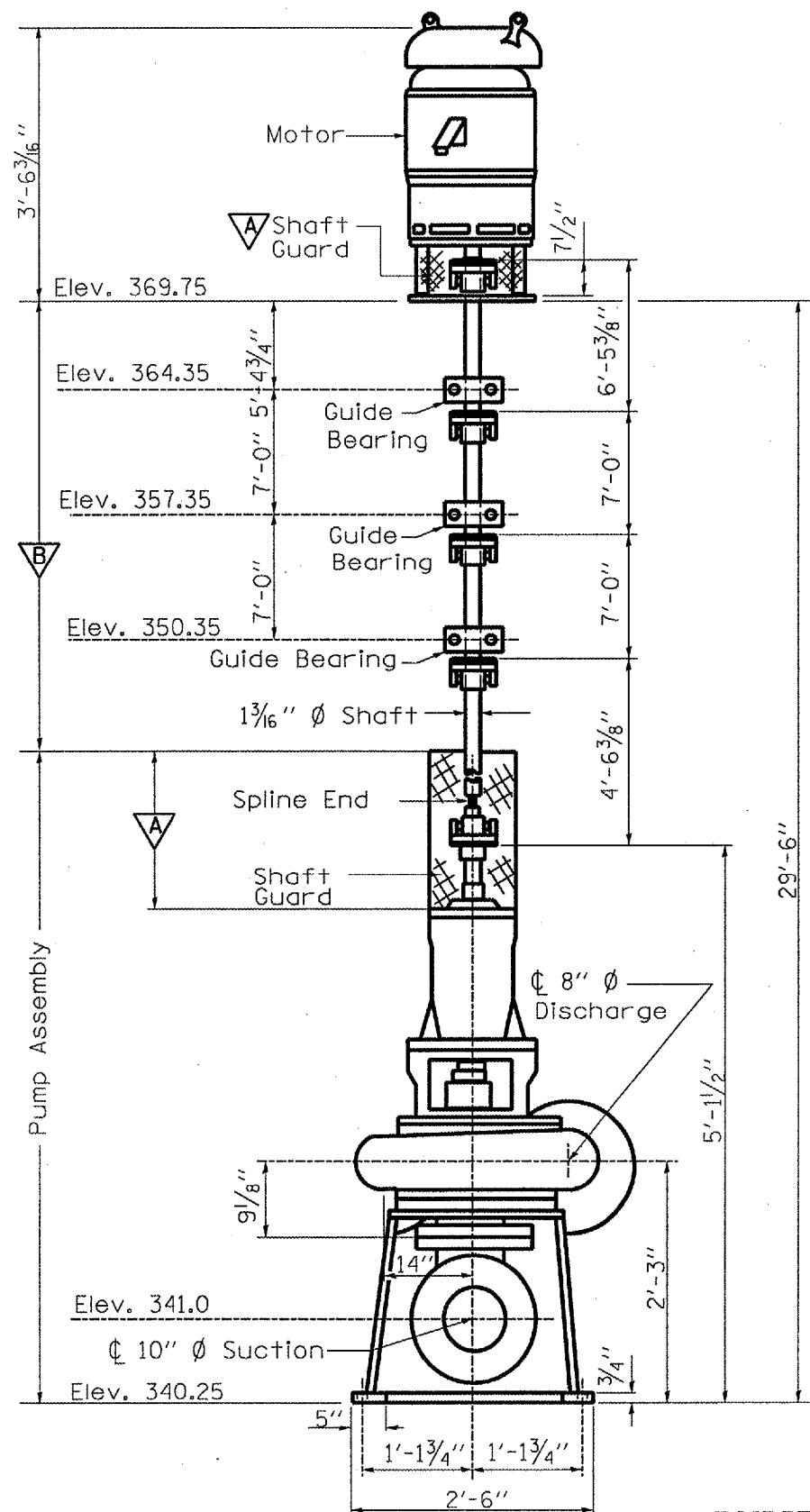


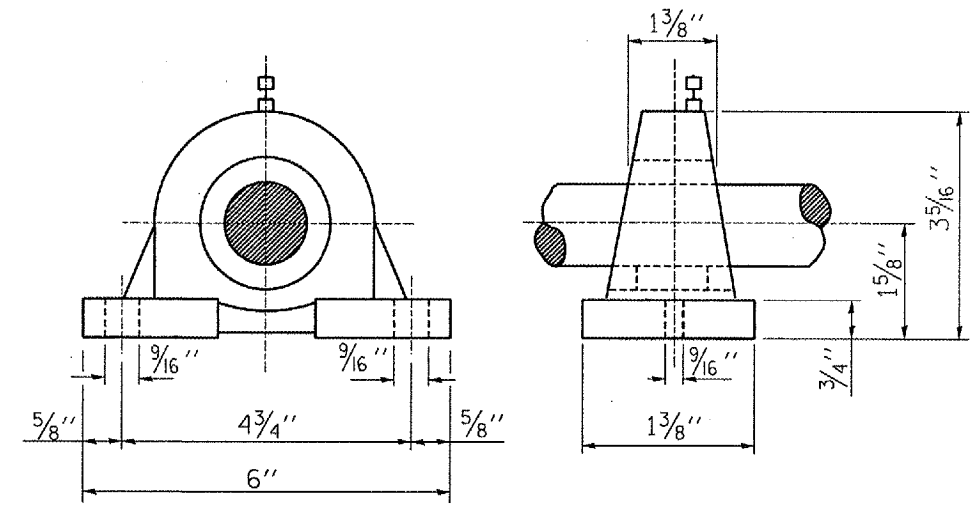
F.A.P. RTE.	SECTION	COUNTY	TOTAL SHEETS	SHEET NO.
649	(107)I-2	LIVINGSTON	7	7



**TOP VIEW OF MOTOR BASE**

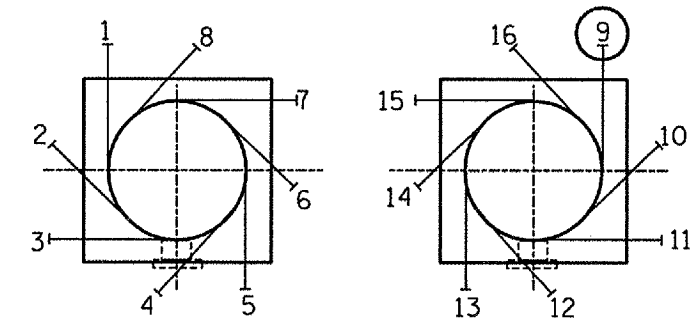
**A** Area protected by shaft guard supplied by manufacturer of motor or pump.

**B** Area protected by shaft guard supplied by Contractor.



**GUIDE BEARING DETAILS**

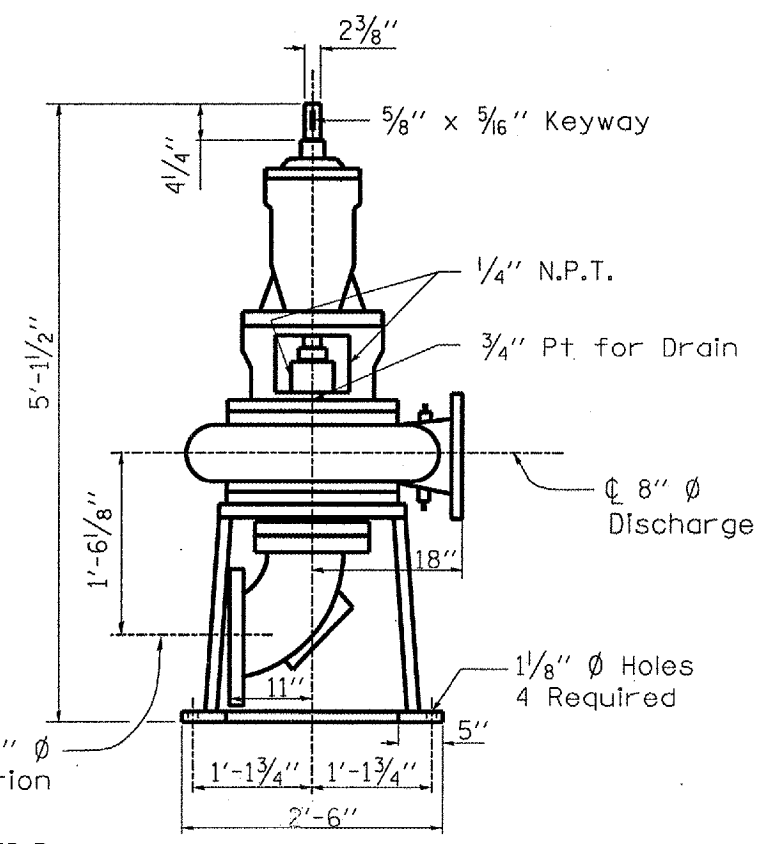
SHAFT DIA. 1 3/16"  
SHAFT SERIES V37



Drawings illustrates the discharge positions available for C.W. and C.C.W. Rotation when viewed from the driver end of pump. Positions 1 and 9 are considered Standard. Position circled is position of existing pumps.

FLANGE DIMENSIONS					
	NOM. SIZE	FLG. O.D.	NO. OF BOLTS	BOLT DIA.	B.C. DIA.
DISCHARGE	8"	13 1/2"	8"	3/4"	11 3/4"
SUCTION	10"	16"	12"	7/8"	14 1/4"

All flanges shall be 125 lb. ANSI



**PUMP DETAILS**

NOTE: This Pump uses a 16" Impeller

DATE: JULY 29, 2005  
FILE: c:/projects/cmain06/cm319/details.dgn

REVISIONS	
NAME	DATE

ILLINOIS DEPARTMENT OF TRANSPORTATION  
**PUMPING EQUIPMENT COMPLETE**  
READING PUMPING STATION  
FAP 649  
SECTION (107)I-2  
LIVINGSTON COUNTY

SCALE: VERT.  
HORIZ.  
DATE 08/11/2005

DRAWN BY RLW  
CHECKED BY