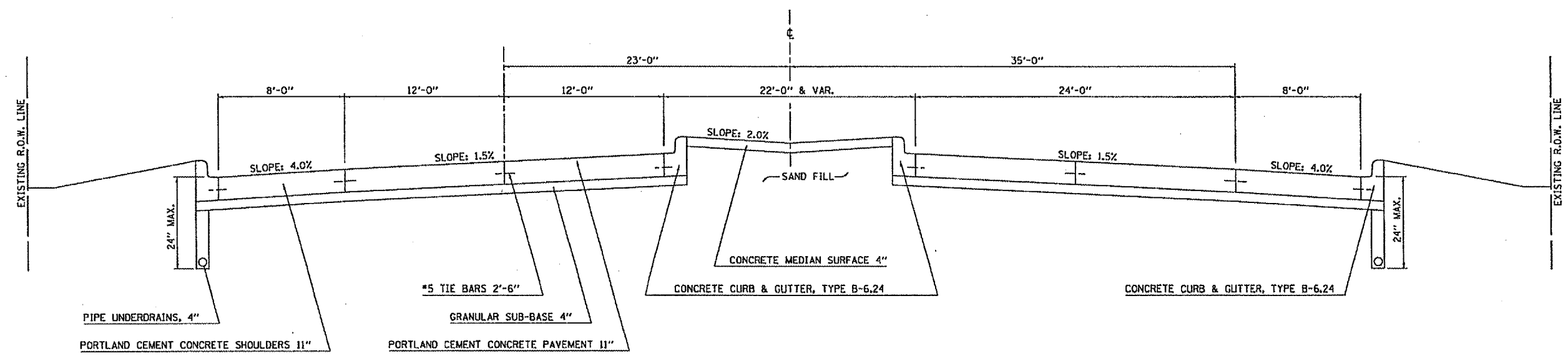


CONTRACT NO. 70501				
F.A.P. NO.	SECTION	COUNTY	TOTAL SHEETS	SHEET NO.
322	*	MACON	13	8
* 05 ANNUAL PATCH 2006-5				

EXISTING TYPICAL CROSS SECTION 5

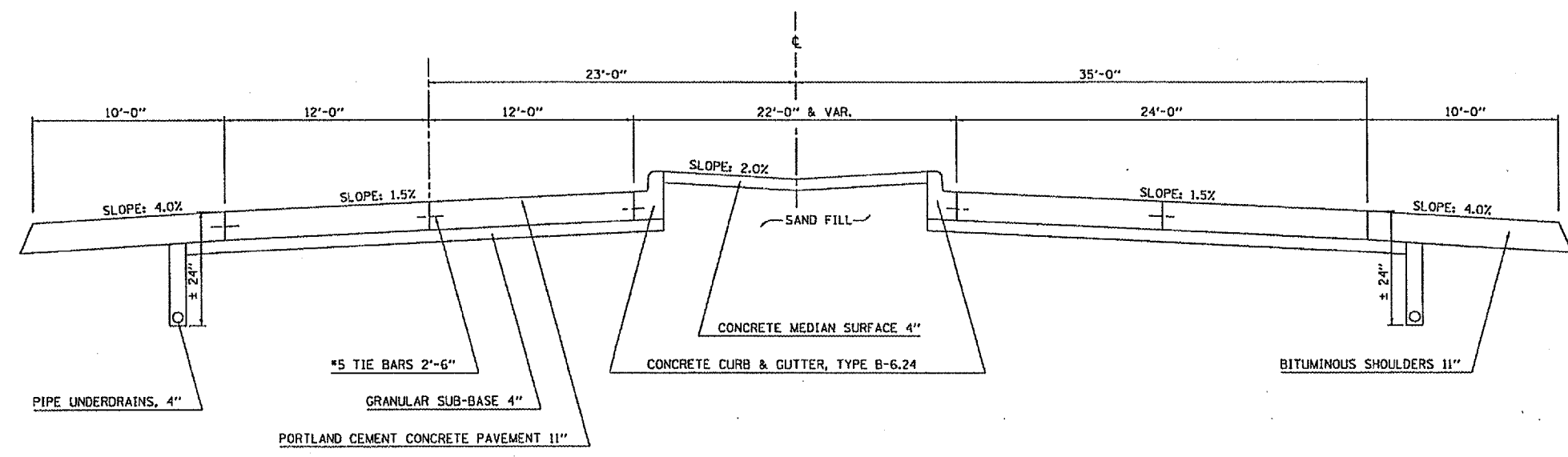
STATION 247+17.91 TO STATION 260+00



NOTE:
STATION 247+17.91 TO 255+60 HAVE THE MEDIAN CROWNED
STATION 255+60 TO 260+00 HAVE DEPRESSED MEDIAN

EXISTING TYPICAL CROSS SECTION 6

STATION 260+00 TO STATION 266+92



NOTE:
MEDIAN CONCRETE CURB & GUTTER AND
MEDIAN SURFACE ENDS AT C STATION 265+07

PLOT DATE: 5/7/2006
 FILE NAME: C:\projects\70501\70501.dwg
 USER: jph
 PLOTTED BY: jph