

F.A.P. RTE.	SECTION	COUNTY	TOTAL SHEETS	SHEET NO.
322	*	MACON	13	1

CONTRACT NO. 70501

\* D5 ANNUAL PATCH 2006-5

D-95-023-06

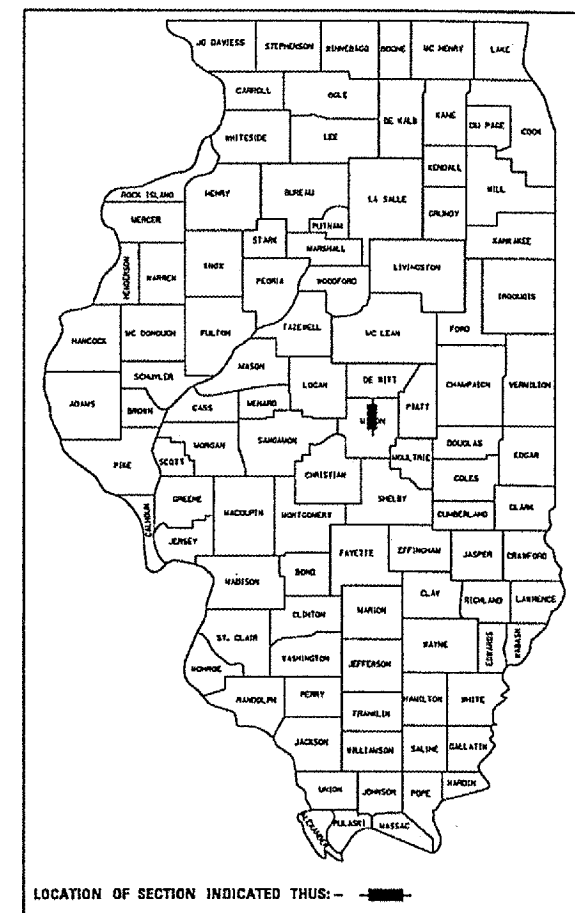
STATE OF ILLINOIS  
 DEPARTMENT OF TRANSPORTATION  
 DIVISION OF HIGHWAYS

**PROPOSED  
 HIGHWAY PLANS**

F.A.P. ROUTE 322 (U.S. ROUTE 51)  
 SECTION D5 ANNUAL PATCH 2006-5  
 MACON COUNTY

C-95-023-06

PATCHING ON US 51 FROM FORSYTH TO EMERY ROAD, 3.18 MILES NORTH



LOCATION OF SECTION INDICATED THIS: -

FOR UNDERGROUND UTILITY  
 LOCATIONS CALL  
 TOLL FREE J.U.L.I.E. TELEPHONE NO.  
 1-800-892-0123

STATE OF ILLINOIS  
 DEPARTMENT OF TRANSPORTATION  
 DIVISION OF HIGHWAYS

SUBMITTED Aug 31, 2005  
[Signature]  
 DEPUTY DIRECTOR OF HIGHWAYS, REGION THREE ENGINEER

October 14, 2005  
Mike Hine  
 ENGINEER OF DESIGN AND ENVIRONMENT

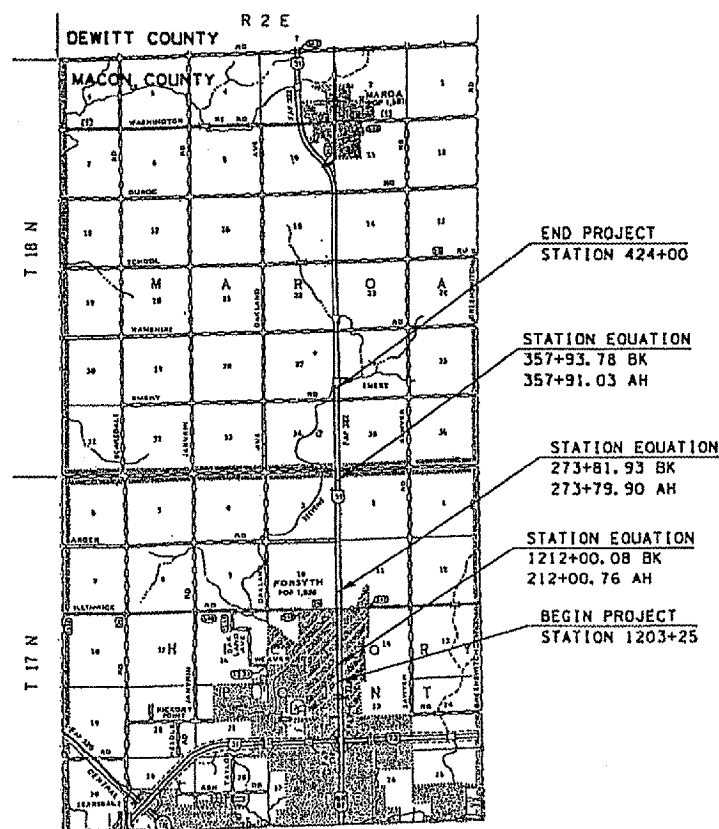
October 14, 2005  
Eric E. Horn  
 DEPUTY DIRECTOR OF HIGHWAYS, CHIEF ENGINEER

PRINTED BY THE AUTHORITY  
 OF THE STATE OF ILLINOIS

FOR INDEX OF SHEETS, SEE SHEET NO. 3  
 FOR SUMMARY OF QUANTITIES, SEE SHEET NO. 5

PROJECT ENGINEER: TIM BRANDENBURG (217)465-4181

DESIGNER: TODD BLACK



TOTAL LENGTH OF SECTION & PROJECT = 22,079.1 FEET = 4.18 MILES  
 NET LENGTH OF SECTION & PROJECT = 22,079.1 FEET = 4.18 MILES

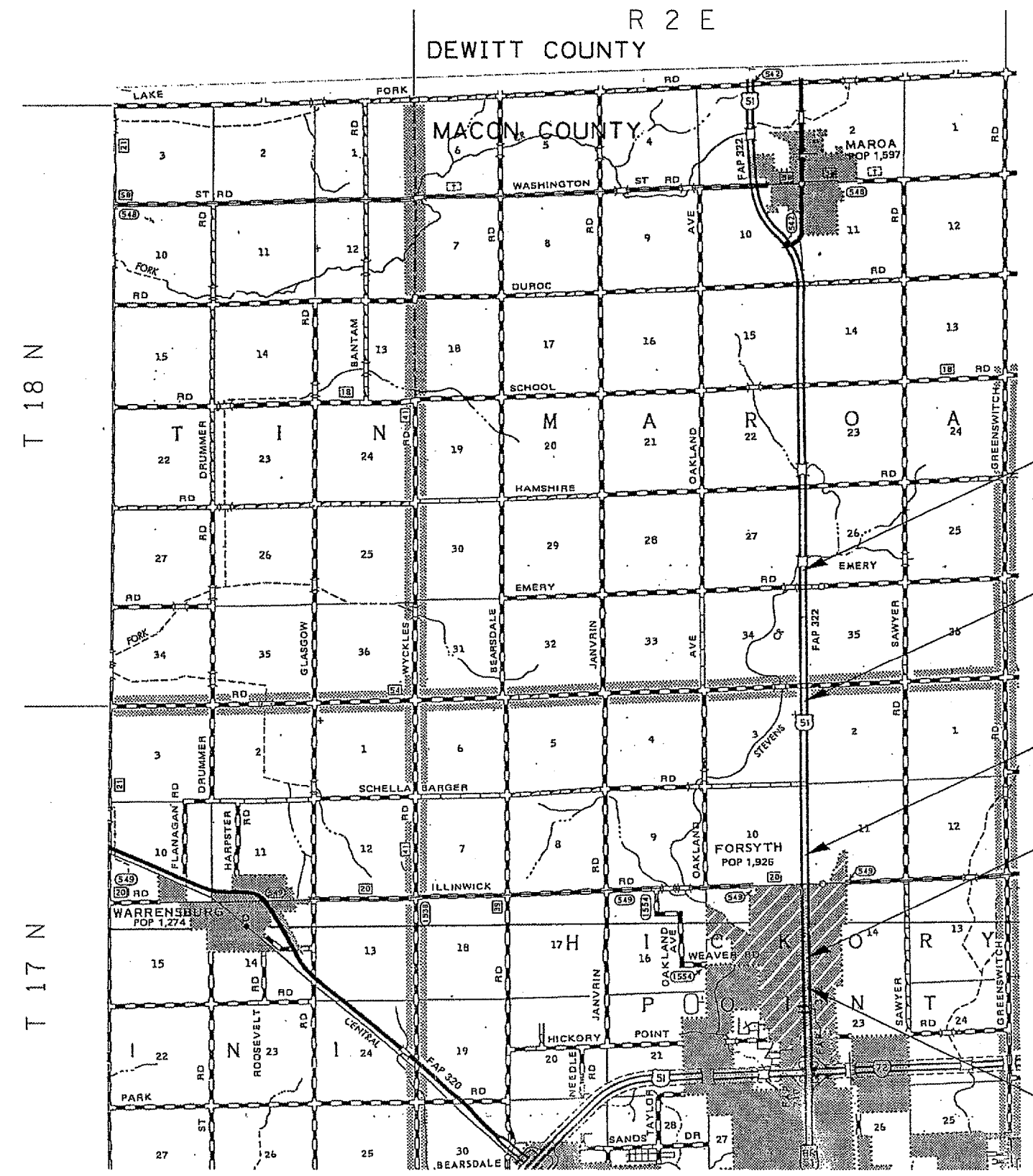
DESIGN DESIGNATION  
 N/A

CURRENT ADT = 15,000 (2003) FORSYTH CITY LIMITS  
 CURRENT ADT = 10,900 (2003) FORSYTH TO EMERY ROAD

CONTRACT NO. 70501

# LOCATION MAP

CONTRACT NO. 70501				
F.A.P. RTE.	SECTION	COUNTY	TOTAL SHEETS	SHEET NO.
322	*	MACON	13	2
STA.		TO STA.		
FED. ROAD DIST. NO.		ILLINOIS FED. AID PROJECT		
* D5 ANNUAL PATCH 2006-5				



**INTERSECTION STATIONING ON US 51**

EMERY RD	TR19	411+80±
WISE RD	TR25	358+50±
SCHELLABARGER RD	TR29	305+10±
ILLINWICK RD	CH20	252+05±

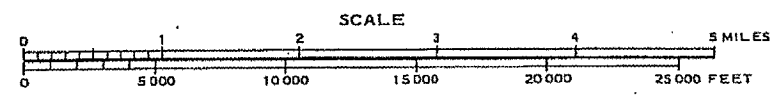
**END PROJECT**  
STATION 424+00

**STATION EQUATION**  
357+93.78 BK  
357+91.03 AH

**STATION EQUATION**  
273+81.93 BK  
273+79.90 AH

**STATION EQUATION**  
1212+00.08 BK  
212+00.76 AH

**BEGIN PROJECT**  
STATION 1203+25



PLOT DATE \* 5/1/2005  
 PLOT SCALE \* 1/8" = 100'  
 USER NAME \* PHILLIP

F.A.P. RTE.	SECTION	COUNTY	TOTAL SHEETS	SHEET NO.
322	*	MACON	13	3
STA.		TO STA.		
FED. ROAD DIST. NO.	ILLINOIS	FED. AID PROJECT		

\* D5 ANNUAL PATCH 2006-5

## INDEX OF SHEETS

<u>SHEET NO.</u>	<u>DESCRIPTION</u>
1	COVER SHEET
2	LOCATION MAP
3	INDEX OF SHEETS
3	LIST OF STANDARDS
4	GENERAL NOTES
5	SUMMARY OF QUANTITIES
6-9	EXISTING TYPICAL CROSS SECTIONS
10-13	SCHEDULE OF QUANTITIES

## LIST OF STANDARDS

<u>STANDARD NUMBER</u>	<u>NAME OF STANDARD</u>
442001-02	CLASS A PATCHES
442101-05	CLASS B PATCHES
701400-02	APPROACH TO LANE CLOSURE, FREEWAY/EXPRESSWAY
701401-03	LANE CLOSURE, FREEWAY/EXPRESSWAY
701601-04	URBAN LANE CLOSURE, MULTILANE, 1W OR 2W WITH NONTRAVERSABLE MEDIAN
701701-04	URBAN LANE CLOSURE, MULTILANE INTERSECTION
702001-05	TRAFFIC CONTROL DEVICES

F.A.P. RTE.	SECTION	COUNTY	TOTAL SHEETS	SHEET NO.
322	*	MACON	13	4
STA.		TO STA.		
FED. ROAD DIST. NO.	ILLINOIS	FED. AID PROJECT		

\* D5 ANNUAL PATCH 2006-5

## GENERAL NOTES

G. N. -100  
 ENGLISH UNITS OF MEASUREMENT SHALL GOVERN OVER AND SUPERSEDE ANY METRIC UNITS SHOWN IN THIS CONTRACT. WHERE INCLUDED, METRIC UNITS ARE FOR INFORMATION ONLY.

G. N. -442B -- PATCHING SCHEDULES  
 THE PATCHING SCHEDULES INCLUDED IN THE PLANS REPRESENT THE BEST INFORMATION AVAILABLE AT THE TIME OF COMPLETION OF THE PLANS FOR LETTING. VARIATIONS IN LOCATION AND SIZES OF BOTH FULL-DEPTH AND PARTIAL-DEPTH PATCHES MAY OCCUR.

G. N. -440B  
 THE EXISTING TIE BARS BETWEEN THE EXISTING PAVEMENT AND EXISTING MEDIANS, GUTTERS AND/OR COMBINATION CURB AND GUTTERS THAT ARE FOUND SUITABLE FOR REUSE SHALL BE CLEANED, STRAIGHTENED AND INCORPORATED INTO THE NEW CONSTRUCTION. ANY EXISTING TIE BARS THAT ARE FOUND UNSUITABLE TO BE INCORPORATED INTO THE PROPOSED CONSTRUCTION DUE TO EXCESSIVE RUSTING OR DISTRESS SHALL BE REMOVED FLUSH WITH THE FACE OF THE EXISTING CONCRETE AND DISPOSED OF OUTSIDE THE LIMITS OF THE RIGHT-OF-WAY IN ACCORDANCE WITH ARTICLE 202.03 OF THE STANDARD SPECIFICATIONS.

THIS WORK WILL NOT BE PAID FOR SEPARATELY BUT SHALL BE CONSIDERED INCLUDED IN THE VARIOUS REMOVAL PAY ITEMS AND NO ADDITIONAL COMPENSATION WILL BE ALLOWED.

F.A.P. RYE.	SECTION	COUNTY	TOTAL SHEETS	SHEET NO.
322	*	MACON	13	5
STA.		TO STA.		
FED. ROAD DIST. NO.		ILLINOIS FED. AID PROJECT		

\* D5 ANNUAL PATCH 2006-5

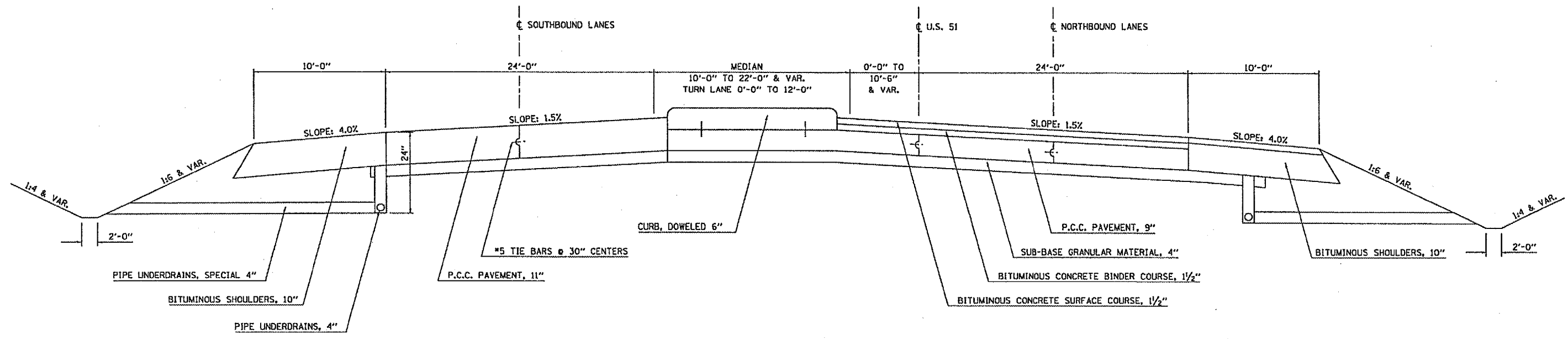
### SUMMARY OF QUANTITIES

LOCATION OF WORK:				US 51 (FAP322) Macon County	US 51 (FAP322) Macon County
NOTE: STATION EQUATIONS HAVE BEEN ROUNDED				Sta. 1203+25 to 1212+00	Sta. 260+30 to 425+00
				1212+00 (BK) Sta. Eq 212+00 (AH)	
				Sta. 212+00 to 260+30	
CONSTRUCTION TYPE CODE:				RURAL-Multilane	Rural-Multilane
				100% State	100% State
				J000	J000
CODE NO	ITEM	UNIT	TOTAL QUANTITY		
42001200	PAVEMENT FABRIC	SQ YD	17.0	17.0	0.0
44200537	CLASS A PATCH, TYPE 1, 9 INCH	SQ YD	24.0	0.0	24.0
44200541	CLASS A PATCH, TYPE 2, 9 INCH	SQ YD	72.0	0.0	72.0
44200545	CLASS A PATCH, TYPE 3, 9 INCH	SQ YD	16.0	0.0	16.0
44200547	CLASS A PATCH, TYPE 4, 9 INCH	SQ YD	59.0	0.0	59.0
44200982	CLASS B PATCH, TYPE 2, 11 INCH	SQ YD	356.0	308.0	48.0
44200986	CLASS B PATCH, TYPE 3, 11 INCH	SQ YD	17.0	17.0	0.0
44213000	PATCH REINFORCEMENT	SQ YD	170.0	0.0	170.0
44213200	SAW CUTS	FOOT	3473.0	2085.0	1388.0
67100100	MOBILIZATION	L SUM	1.0	0.5	0.5
70100800	TRAFFIC CONTROL AND PROTECTION, STANDARD 701401	L SUM	1.0	0.0	1.0
70102630	TRAFFIC CONTROL AND PROTECTION, STANDARD 701601	L SUM	1.0	1.0	0.0
70103815	TRAFFIC CONTROL SURVEILLANCE	CAL DA	5.0	0.0	5.0
X7015005	CHANGEABLE MESSAGE SIGN	CAL DA	10.0	10.0	0.0
70102635	TRAFFIC CONTROL AND PROTECTION, STANDARD 701701	L SUM	1.0	1.0	0.0
Z0017202	DOWEL BARS, 1 1/2 INCH	EACH	940.0	820.0	120.0
Z0075300	TIE BARS	EACH	26.0	13.0	13.0

CONTRACT NO. 70501				
F.A.P. RTE.	SECTION	COUNTY	TOTAL SHEETS	SHEET NO.
322	*	MACON	13	6
* 05 ANNUAL PATCH 2006-5				

### EXISTING TYPICAL CROSS SECTION ①

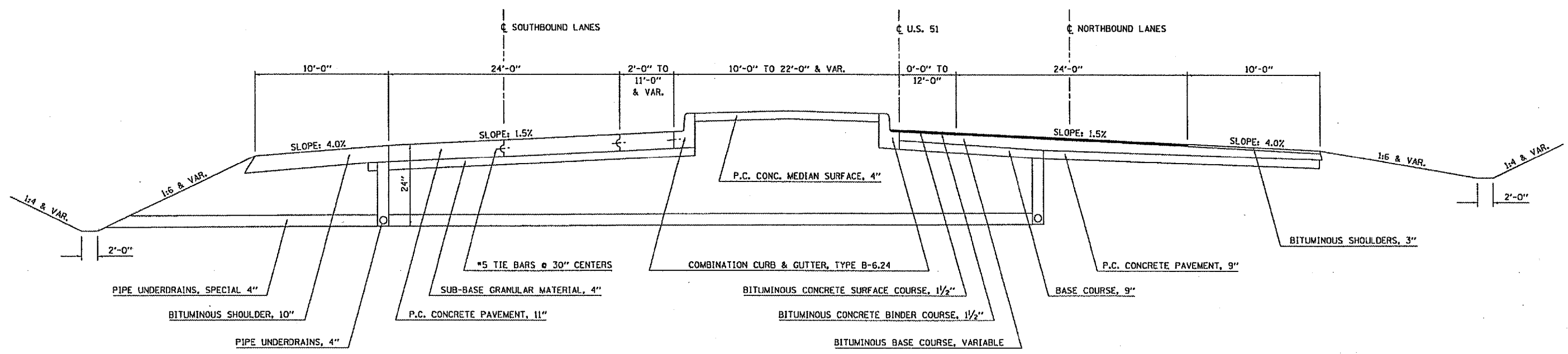
STATION 1204+84.04 TO STATION 1207+56



### EXISTING TYPICAL CROSS SECTION ②

RT STATION 1207+56 TO RT STATION 1211+76  
 LT STATION 1207+56 TO LT STATION 212+05

STATION EQUATION:  
 STATION 1212+00.08 (BK) =  
 STATION 212+00.76 (AH)



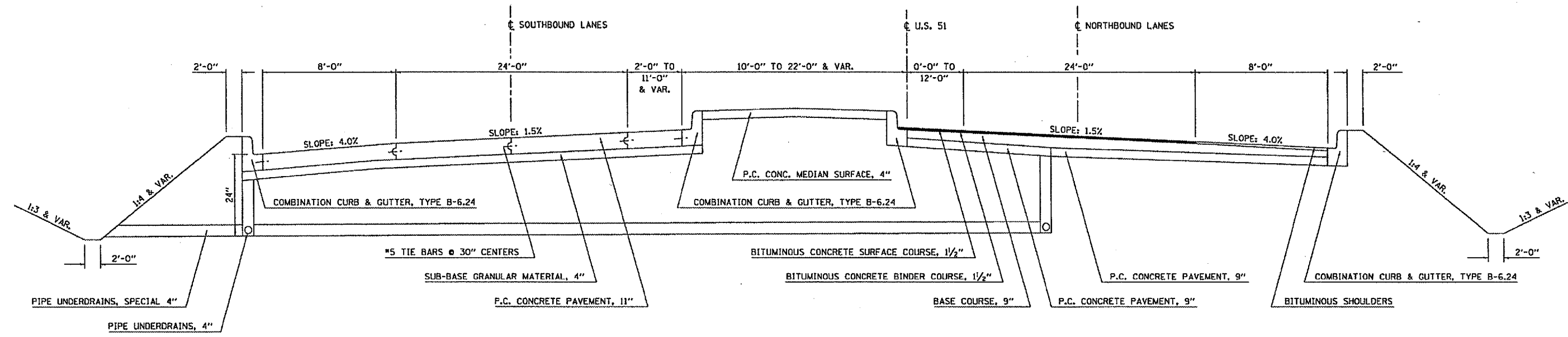
PLOT DATE = 5/17/05  
 PLOT SCALE = 1/8" = 1'-0"  
 USER NAME = philipj

F.A.P. RTE.	SECTION	COUNTY	TOTAL SHEETS	SHEET NO.
322	*	MACON	13	7

05 ANNUAL PATCH 2006-5

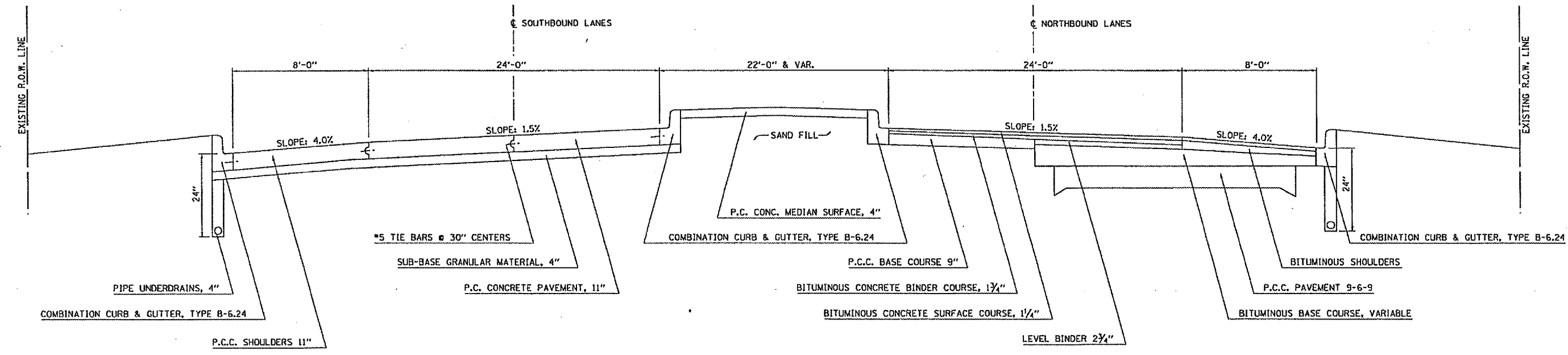
### EXISTING TYPICAL CROSS SECTION ③

RT STATION 1211+76 TO RT STATION 217+41  
 LT STATION 212+05 TO LT STATION 217+41



### EXISTING TYPICAL CROSS SECTION ④

STATION 217+41 TO STATION 247+17.91

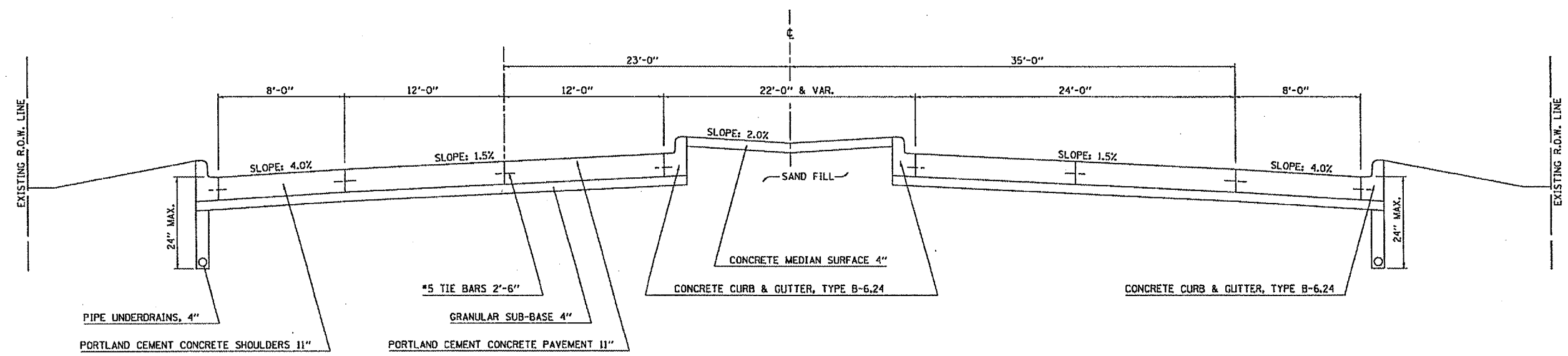


PLOT DATE: 6/1/2005  
 PLOT SCALE: 1/8"=1'-0"  
 USER NAME: phillips

CONTRACT NO. 70501				
F.A.P. DIST.	SECTION	COUNTY	TOTAL SHEETS	SHEET NO.
322	*	MACON	13	8
* 05 ANNUAL PATCH 2006-5				

### EXISTING TYPICAL CROSS SECTION 5

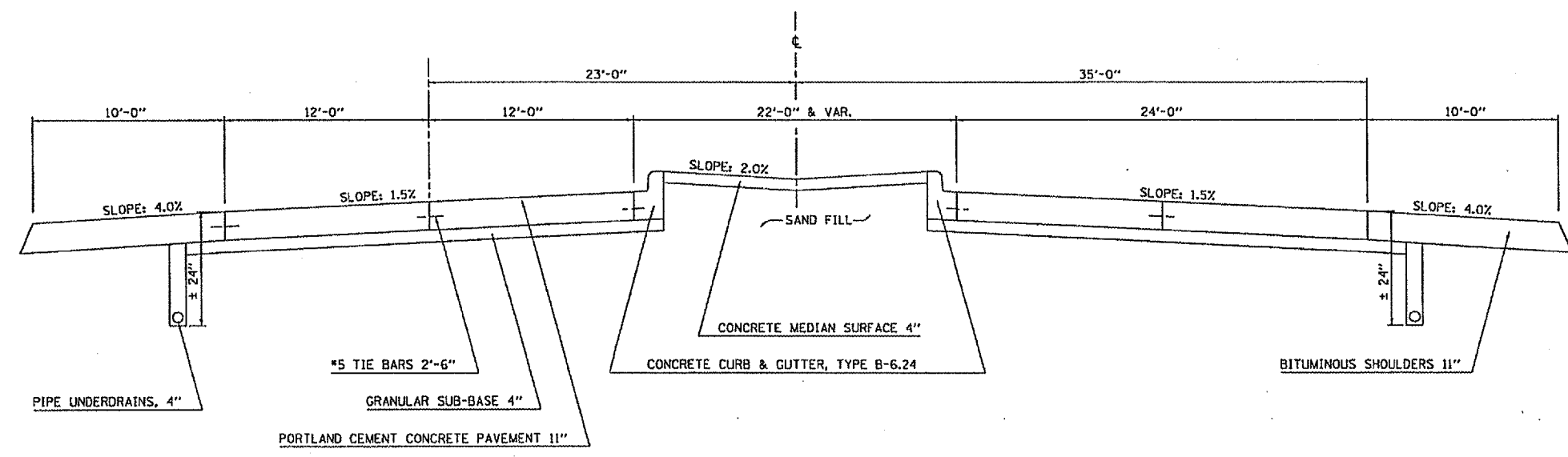
STATION 247+17.91 TO STATION 260+00



NOTE:  
 STATION 247+17.91 TO 255+60 HAVE THE MEDIAN CROWNED  
 STATION 255+60 TO 260+00 HAVE DEPRESSED MEDIAN

### EXISTING TYPICAL CROSS SECTION 6

STATION 260+00 TO STATION 266+92



NOTE:  
 MEDIAN CONCRETE CURB & GUTTER AND  
 MEDIAN SURFACE ENDS AT C STATION 265+07

PLOT DATE: 5/7/2006  
 FILE NAME: C:\projects\70501\70501.dwg  
 USER: jph  
 PLOTTED BY: jph



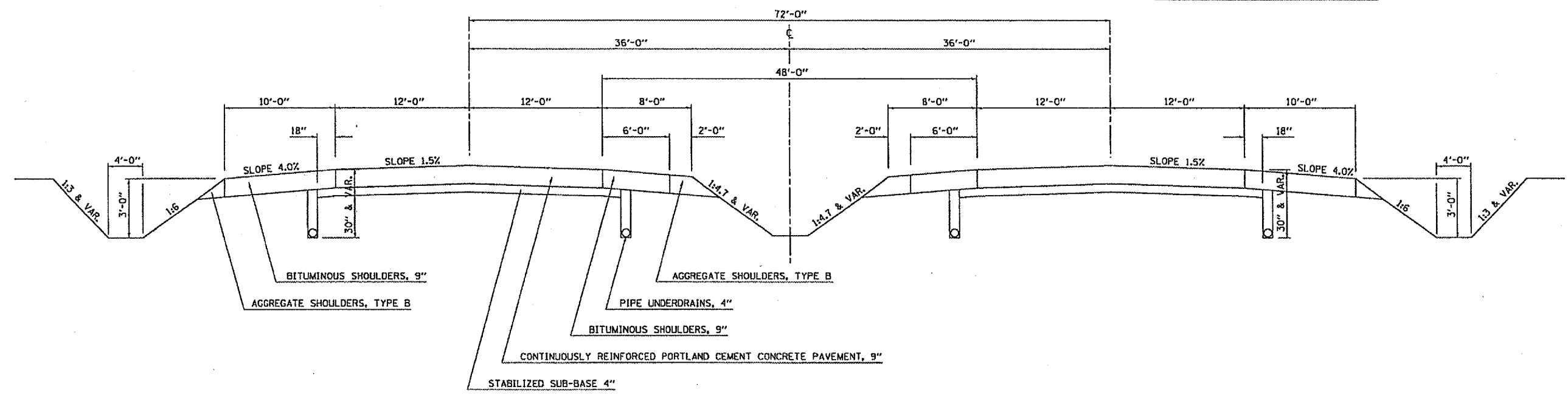
F.A.P. RTE.	SECTION	COUNTY	TOTAL SHEETS	SHEET NO.
322	*	MACON	13	9

\* 05 ANNUAL PATCH 2005-5

### EXISTING TYPICAL CROSS SECTION 7

LT STATION 266+92 TO LT STATION 342+00  
 RT STATION 266+92 TO RT STATION 340+00

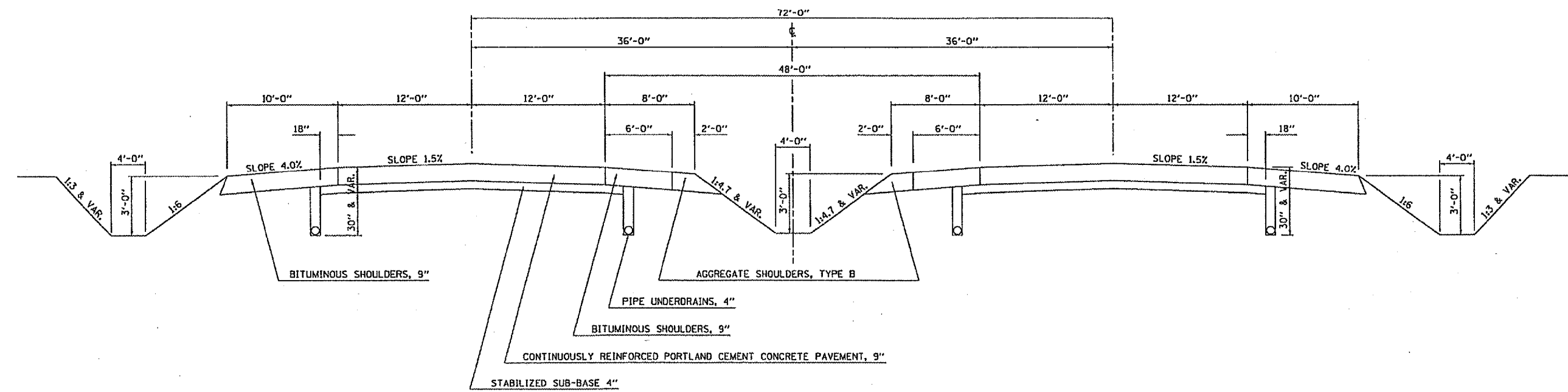
STATION EQUATION:  
 STATION 273+81.93 (BK) =  
 STATION 273+79.90 (AH)



### EXISTING TYPICAL CROSS SECTION 8

LT STATION 342+00 TO LT STATION 424+00  
 RT STATION 340+00 TO RT STATION 424+00

STATION EQUATION:  
 STATION 357+93.78 (BK) =  
 STATION 357+91.03 (AH)



PLOT DATE = 9/1/2005  
 FILE NAME = c:\pwork\70501\70501.dwg  
 USER = jphillips

F.A.P. RYE.	SECTION	COUNTY	TOTAL SHEETS	SHEET NO.
322	*	MACON	13	10
STA.		TO STA.		
FED. ROAD DIST. NO.		ILLINOIS	FED. AID PROJECT	

\* D5 ANNUAL PATCH 2006-5

## SCHEDULE OF QUANTITIES

### TABULATION OF CLASS B PAVEMENT PATCHING

MACON COUNTY NORTHBOUND  
CLASS B PAVEMENT PATCH - 11 INCH

BEGIN STATION	DIRECTION	LENGTH (FT)	WIDTH (FT)	PATCH AREA				SAWCUTS (FT)	TIE BARS (EACH)	DOWELL BARS 1.5 INCH (EACH)	PAVEMENT FABRIC (SQ. YD.)
				TYPE 1 44200966 (SQ. YD.)	TYPE 2 44200970 (SQ. YD.)	TYPE 3 44200974 (SQ. YD.)	TYPE 4 44200976 (SQ. YD.)				
305+10.00		SCHELLA									
261+80.00	NBDL	6.00	12.00		8.0			48.0		20.0	
261+80.00	*NBPL*	6.00	12.00		8.0			54.0		20.0	
252+05.00		ILLINWICK									
252+00.00	NBDL	6.00	12.00		8.0			54.0		20.0	
252+00.00	*NBPL*	6.00	12.00		8.0			54.0		20.0	
246+00.00	NBDL	6.00	12.00		8.0			48.0		20.0	
246+00.00	*NBPL*	6.00	12.00		8.0			54.0		20.0	
PAGE TOTALS				0.0	48.0	0.0	0.0	312.0	0.0	120.0	0.0

F.A.P. RTE.	SECTION	COUNTY	TOTAL SHEETS	SHEET NO.
322	*	MACON	13	11
STA.		TO STA.		
FED. ROAD DIST. NO.		ILLINOIS	FED. AID PROJECT	
* D5 ANNUAL PATCH 2006-5				

## SCHEDULE OF QUANTITIES

### TABULATION OF CLASS B PAVEMENT PATCHING

MACON COUNTY SOUTHBOUND  
CLASS B PAVEMENT PATCH - 11 INCH

BEGIN STATION	DIRECTION	LENGTH (FT)	WIDTH (FT)	PATCH AREA				SAWCUTS 44213200 (FT)	TIE BARS Z0075300 (EACH)	DOWELL BARS 1.5 INCH Z0017202 (EACH)	PAVEMENT FABRIC 42001200 (SQ. YD.)	
				TYPE 1 44200966 (SQ. YD.)	TYPE 2 44200970 (SQ. YD.)	TYPE 3 44200974 (SQ. YD.)	TYPE 4 44200976 (SQ. YD.)					
305+10.00		SCHELLA										
265+90.00	SBDL	6.00	12.00		8.0			48.0		20.0		
263+00.00	*SBPL*	6.00	12.00		8.0			54.0		20.0		
260+50.00	SBDL	6.00	12.00		8.0			48.0		20.0		
260+50.00	*SBPL*	6.00	12.00		8.0			54.0		20.0		
252+05.00		ILLINWICK										
252+00.00	CH20 RETRN	6.00	25.00			16.7		93.0	13.0	40.0	16.7	
252+00.00	CH20 RETRN	6.00	20.00		13.3			78.0		36.0		
252+00.00	CH20 RETRN	6.00	20.00		13.3			78.0		36.0		
252+00.00	CH20 RETRN	6.00	20.00		13.3			78.0		36.0		
252+00.00	CH20 RETRN	6.00	20.00		13.3			78.0		36.0		
249+20.00	*SBPL*	6.00	12.00		8.0			54.0		20.0		
247+90.00	*SBPL*	6.00	12.00		8.0			54.0		20.0		
247+00.00	SBDL	6.00	12.00		8.0			54.0		20.0		
247+00.00	*SBPL*	6.00	12.00		8.0			54.0		20.0		
246+00.00	*SBPL*	6.00	12.00		8.0			54.0		20.0		
245+50.00	SBDL	6.00	12.00		8.0			54.0		20.0		
245+00.00	SBDL	6.00	12.00		8.0			54.0		20.0		
243+50.00	SBDL	6.00	12.00		8.0			54.0		20.0		
243+50.00	*SBPL*	6.00	12.00		8.0			54.0		20.0		
242+70.00	PKWY RETRN	6.00	10.00		6.7			48.0		16.0		
240+00.00	SBDL	6.00	12.00		8.0			54.0		20.0		
239+50.00	*SBPL*	6.00	12.00		8.0			54.0		20.0		
238+00.00	SBDL	6.00	12.00		8.0			54.0		20.0		
238+00.00	*SBPL*	6.00	12.00		8.0			54.0		20.0		
231+15.00	SBDL	6.00	12.00		8.0			54.0		20.0		
231+15.00	*SBPL*	6.00	12.00		8.0			54.0		20.0		
220+30.00	SBDL	6.00	12.00		8.0			54.0		20.0		
1209+99.00	SBDL	6.00	12.00		8.0			48.0		20.0		
1208+99.00	SBDL	6.00	12.00		8.0			48.0		20.0		
1207+99.00	SBDL	6.00	12.00		8.0			48.0		20.0		
1206+84.00	SBDL	6.00	12.00		8.0			48.0		20.0		
1206+84.00	*SBPL*	6.00	12.00		8.0			54.0		20.0		
1206+12.00	SBDL	6.00	12.00		8.0			48.0		20.0		
1206+12.00	*SBPL*	6.00	12.00		8.0			54.0		20.0		
1206+12.00	LTL	6.00	12.00		8.0			54.0		20.0		
1205+86.00	SBDL	6.00	12.00		8.0			48.0		20.0		
1205+86.00	*SBPL*	6.00	12.00		8.0			54.0		20.0		
1205+86.00	LTL	6.00	12.00		8.0			54.0		20.0		
PAGE TOTALS					0.0	307.9	16.7	0.0	2079.0	13.0	820.0	16.7
CLASS B PAVEMENT PATCH - 11 INCH TOTALS					0.0	355.9	16.7	0.0	2391.0	13.0	940.0	16.7
USE					0.0	356.0	17.0	0.0	2391.0	13.0	940.0	17.0



F.A.P. RTE.	SECTION	COUNTY	TOTAL SHEETS	SHEET NO.
322	*	MACON	13	13
STA.		TO STA.		
FED. ROAD DIST. NO.	ILLINOIS	FED. AID PROJECT		

\* D5 ANNUAL PATCH 2006-5

## SCHEDULE OF QUANTITIES

### TABULATION OF CLASS A PAVEMENT PATCHING

MACON COUNTY NORTHBOUND  
CLASS A PAVEMENT PATCH - 9 INCH

STATION	DIRECTION	LENGTH (FT)	WIDTH (FT)	TYPE 1 44200525 (SQ. YD.)	TYPE 2 44200529 (SQ. YD.)	TYPE 3 44200533 (SQ. YD.)	TYPE 4 44200535 (SQ. YD.)	SAWCLTS 44213200 (FT)	TIE BARS Z0075300 (EACH)	PATCH REINF 44213000 (SQ. YD.)
411+80.00		EMERY ROAD								
358+50.00		WISE ROAD								
358+30.00	RADIUS	4.50	15.00		7.5			69.0	0.0	7.5
358+05.00	RTL	4.50	50.00				25.0	209.0	0.0	25.0
337+66.00	NBDL	5.00	6.00	3.3				34.0	0.0	3.3
335+64.00	NBDL	6.00	12.00		8.0			60.0	0.0	8.0
335+64.00	*NBPL*	6.00	12.00		8.0			54.0	0.0	8.0
305+10.00		SCHELLABARGER								
298+72.00	NBDL	6.00	6.00	4.0				36.0	0.0	4.0
271+70.00	NBDL	6.00	12.00		8.0			60.0	0.0	8.0
271+70.00	*NBPL*	12.00	12.00			16.0		72.0	0.0	16.0
269+60.00	NBDL	6.00	12.00		8.0			60.0	0.0	8.0
269+60.00	*NBPL*	6.00	12.00		8.0			54.0	0.0	8.0
268+36.00	NBDL	10.00	12.00		13.3			68.0	0.0	13.3
PAGE TOTALS				7.3	60.8	16.0	25.0	776.0	0.0	109.1

CLASS A PAVEMENT PATCH - 9 INCH TOTALS	23.3	71.5	16.0	58.3	1082.0	13.0	169.1
USE	24.0	72.0	16.0	59.0	1082.0	13.0	170.0