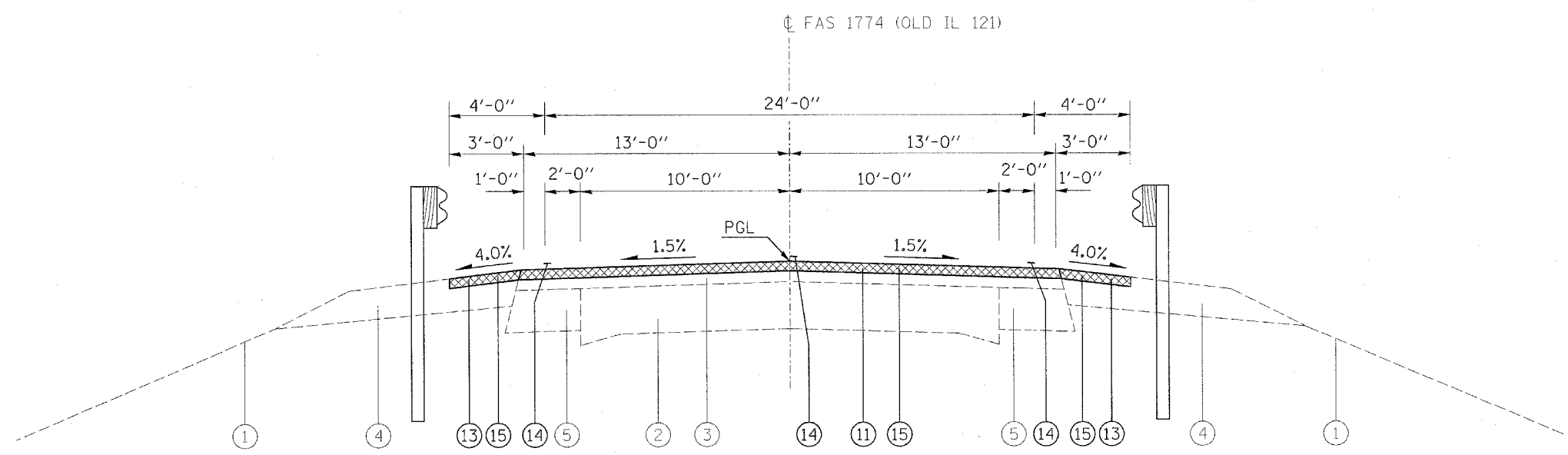


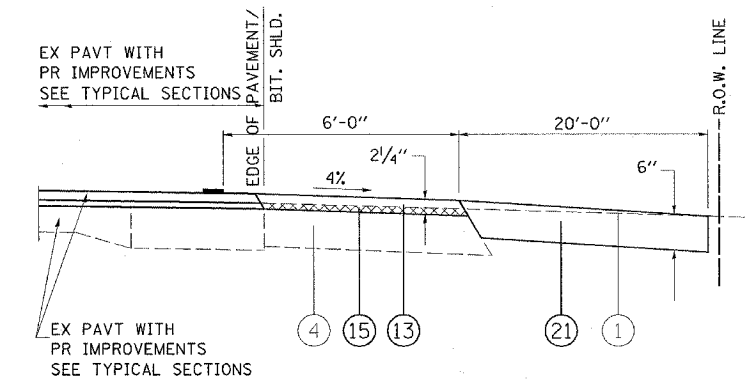
F.A.S. RTE.	SECTION	COUNTY	TOTAL SHEETS	SHEET NO.
1774	113(B-5,B-6)	LOGAN	60	5
STA.		TO STA.		
FED. ROAD DIST. NO.	ILLINOIS	FED. AID PROJECT		



TYPICAL SECTION #1

STA 1720+88.00 TO 1721+84.44

ENTRANCE OMISSION  
SEE DETAIL THIS SHEET  
LT STA 1721+59.22  
RT STA 1721+66.75



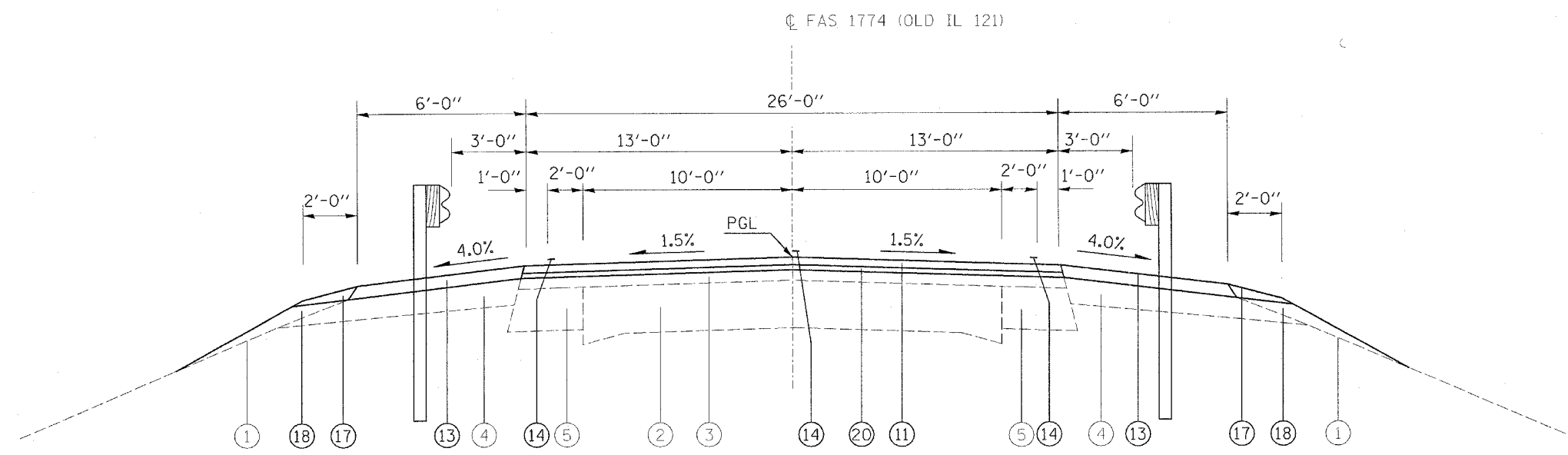
ENTRANCE DETAIL  
LT STA 1721+59.22  
RT STA 1721+66.75

EXISTING LEGEND

- ① EXISTING GROUND
- ② 9-6-9 PAVEMENT
- ③ BITUMINOUS OVERLAY (9")
- ④ BITUMINOUS SHOULDERS
- ⑤ BIT BASE COURSE WIDENING (9")
- ⑥ AGGREGATE SHOULDERS

PROPOSED LEGEND

- ⑩ BIT CONC BIND CSE, SUPERPAVE, IL-19.0, N50 (THICK VAR)
- ⑪ BIT CONC SURFACE CSE, SUPERPAVE, MIX "C", N50 1/2"
- ⑫ BITUMINOUS BASE COURSE SUPERPAVE 10"
- ⑬ BITUMINOUS SHOULDERS SUPERPAVE (THICKNESS VARIES)
- ⑭ PAINT PAVEMENT MARKING - 5"
- ⑮ BITUMINOUS SURFACE REMOVAL (VARIABLE DEPTH)
- ⑯ BIT CONC BASE COURSE WIDENING, SUPERPAVE 10"
- ⑰ AGGREGATE SHOULDERS, TYPE B (6")
- ⑱ EMBANKMENT (SEE BENCHING DETAIL ON MISC DETAILS SHT)
- ⑲ SUB-BASE GRANULAR MATERIAL, TYPE B, 6"
- ⑳ LEVELING BINDER (MACHINE METHOD), SUPERPAVE N50 (3/4")
- ㉑ AGGREGATE SURFACE COURSE, TYPE B (6")



TYPICAL SECTION #2

STA 1721+84.44 TO 1722+06.50

BRIDGE AND APPROACH PAVEMENT OMISSION  
STA 1722+06.50 TO STA 1724+93.50

REVISIONS		ILLINOIS DEPARTMENT OF TRANSPORTATION
NAME	DATE	
		TYPICAL SECTIONS FAS 1774 (OLD IL 121) Section: 113(B-5,B-6) Logan County
SCALE: NOT DRAWN TO SCALE		DRAWN BY TEC
DATE:		CHECKED BY