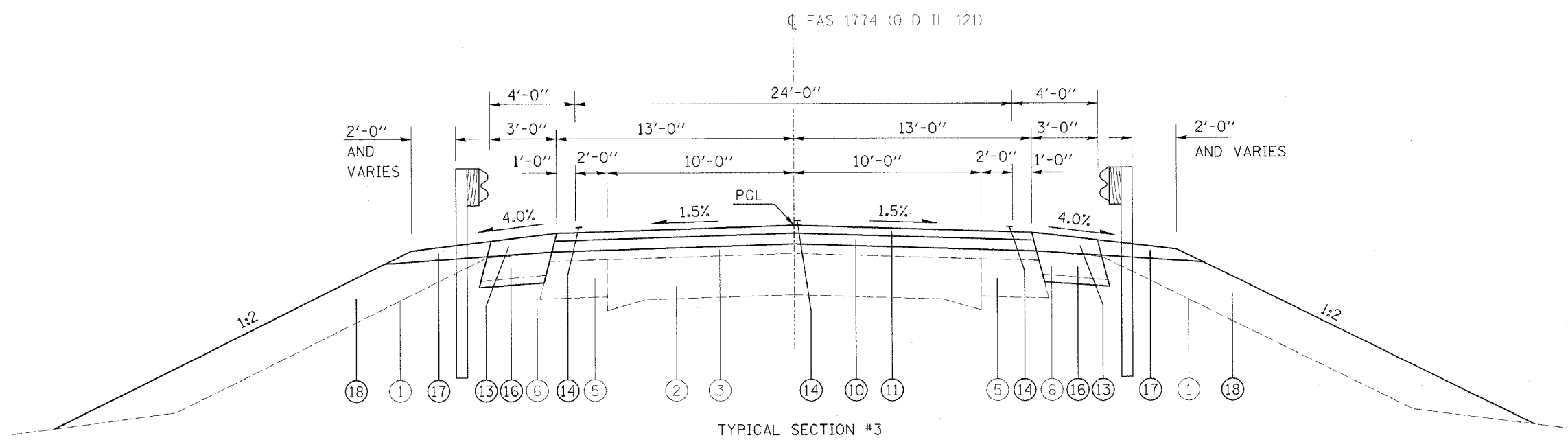


| | | | | |
|---------------------|--------------|----------|------------------|-----------|
| F.A.S. RTE. | SECTION | COUNTY | TOTAL SHEETS | SHEET NO. |
| 1774 | 113(B-5,B-6) | LOGAN | 60 | 6 |
| STA. | | TO STA. | | |
| FED. ROAD DIST. NO. | | ILLINOIS | FED. AID PROJECT | |



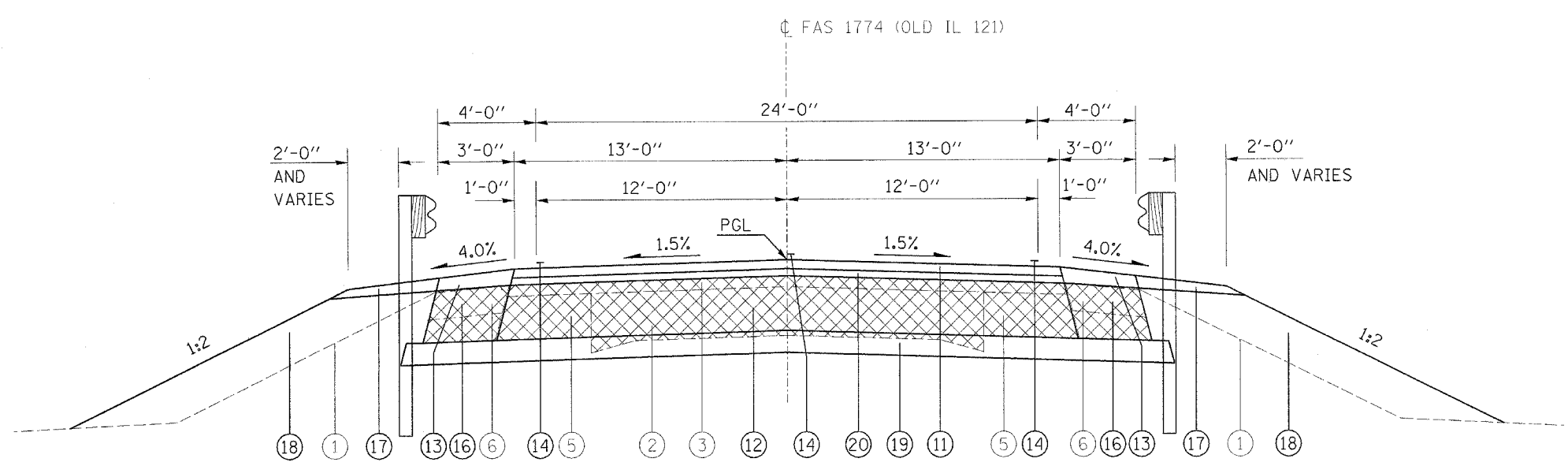
TYPICAL SECTION #3
STA 1724+93.50 TO STA 1727+55.00

EXISTING LEGEND

- ① EXISTING GROUND
- ② 9-6-9 PAVEMENT
- ③ BITUMINOUS OVERLAY (9")
- ④ BITUMINOUS SHOULDERS
- ⑤ BIT BASE COURSE WIDENING (9")
- ⑥ AGGREGATE SHOULDERS

PROPOSED LEGEND

- ⑩ BIT CONC BIND CSE, SUPERPAVE, IL-19.0, N50 (THICK VAR)
- ⑪ BIT CONC SURFACE CSE, SUPERPAVE, MIX "C", N50 1/2"
- ⑫ BITUMINOUS BASE COURSE SUPERPAVE 10"
- ⑬ BITUMINOUS SHOULDERS SUPERPAVE (THICKNESS VARIES)
- ⑭ PAINT PAVEMENT MARKING - 5"
- ⑮ BITUMINOUS SURFACE REMOVAL (VARIABLE DEPTH)
- ⑯ BIT CONC BASE COURSE WIDENING, SUPERPAVE 10"
- ⑰ AGGREGATE SHOULDERS, TYPE B (6")
- ⑱ EMBANKMENT (SEE BENCHING DETAIL ON MISC DETAILS SHT)
- ⑲ SUB-BASE GRANULAR MATERIAL, TYPE B, 6"
- ⑳ LEVELING BINDER (MACHINE METHOD), SUPERPAVE N50 (3/4")
- ㉑ AGGREGATE SURFACE COURSE, TYPE B (6")



TYPICAL SECTION #4
STA 1727+55.00 TO STA 1728+19.00
(NEAR CULVERT)

BRIDGE AND APPROACH PAVEMENT OMISSION
STA 1722+06.50 TO STA 1724+93.50

| REVISIONS | |
|-----------|------|
| NAME | DATE |
| | |
| | |
| | |
| | |
| | |
| | |
| | |
| | |
| | |
| | |

ILLINOIS DEPARTMENT OF TRANSPORTATION
TYPICAL SECTIONS
FAS 1774 (OLD IL 121)
Section: 113(B-5,B-6)
Logan County
SCALE: NOT DRAWN TO SCALE
DATE: DRAWN BY TEC
CHECKED BY