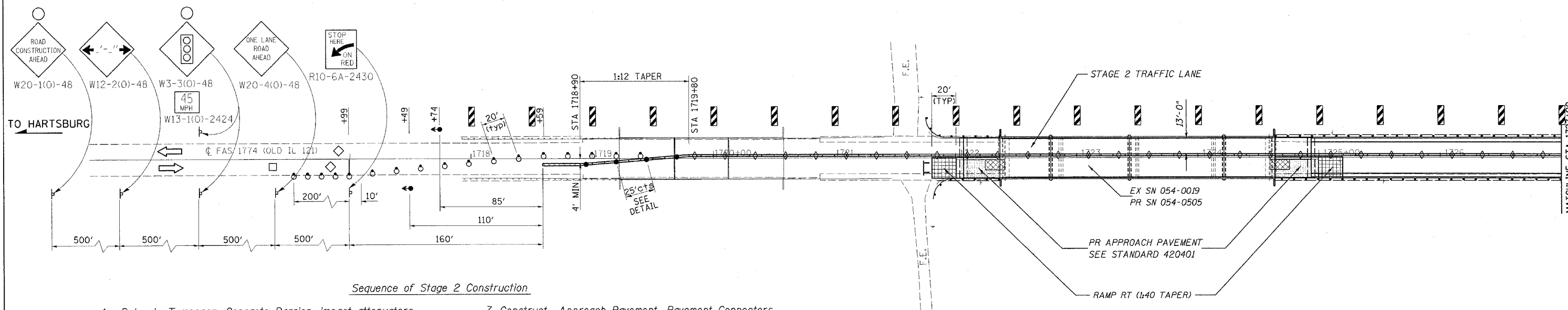


F.A.S. RTE.	SECTION	COUNTY	TOTAL SHEETS	SHEET NO.
1774	113(B-5,B-6)	LOGAN	60	15
STA.		TO STA.		
FED. ROAD DIST. NO.		ILLINOIS	FED. AID PROJECT	

# STAGE 2 TRAFFIC CONTROL

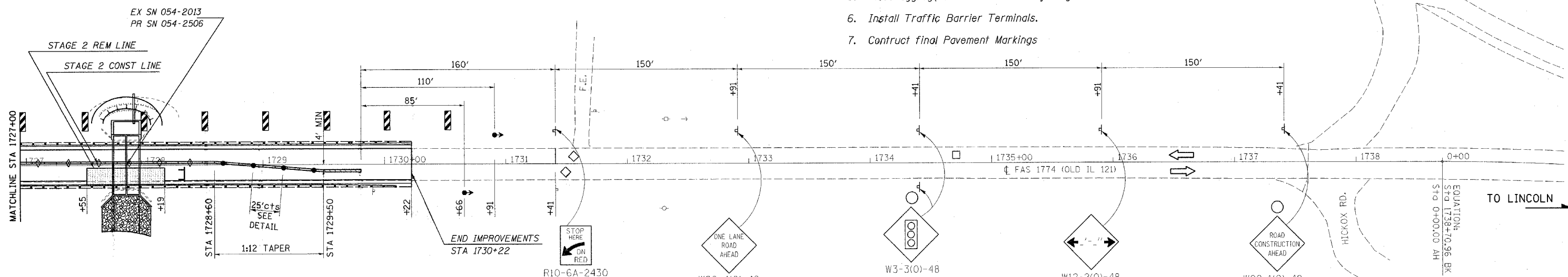


Sequence of Stage 2 Construction

1. Relocate Temporary Concrete Barrier, impact attenuators, and conflicting pavement markings.
2. Divert traffic to Stage 2 Lane.
3. Remove Guardrail RT. Locations are indicated the staging plan sheets and the schedule of quantities.
4. Remove Pavement and Approach Slab RT. Locations are indicated the staging plan sheets and the schedule of quantities.
5. Remove and Replace Structures RT.
6. Construct Bituminous Base Course RT at box culvert.
7. Construct Approach Pavement, Pavement Connectors, and Ramps RT.
8. Construct Earthwork and Riprap RT.
9. Replace Guardrail RT.
10. Remove Temporary Concrete Barrier, Temporary traffic bridge traffic signals, Impact attenuators, and other associated TC&P 701321 (SPECIAL) Items.
11. Remove conflicting pavement markings and open roadway to two-way traffic.

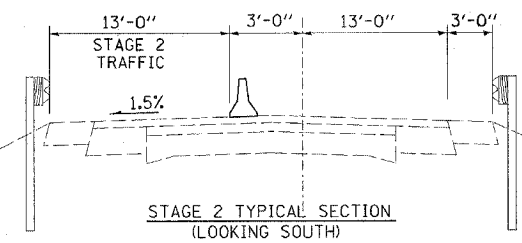
### Final Phase

1. Set traffic control as per TC&P 701306.
2. Mill roadway. Locations are indicated the typical sections and the schedule of quantities.
3. Place binder course to establish profile as indicated on the plan and profile sheets.
4. Place leveling binder and surface course.
5. Place aggregate shoulders and adjust guardrail as needed.
6. Install Traffic Barrier Terminals.
7. Construct final Pavement Markings



### LEGEND

- APPROACH SLAB REMOVAL
- IMPACT ATTENUATOR, NARROW
- PAVEMENT REMOVAL
- TEMPORARY BARRIER WALL
- TEMPORARY RAMP
- BIT CONC BSE CSE WID, SP 10"
- TEMPORARY SOIL RETENTION SYSTEM
- DOUBLE VERTICAL PANEL
- SIGN
- INDUCTION LOOP DETECTOR
- TEMPORARY BRIDGE TRAFFIC SIGNALS
- DRUM WITH STEADY BURNING LIGHT
- 24" STOP BAR
- TYPE III BARRICADES
- TYPE C BIDIRECTIONAL REFLECTOR
- STEADY BURNING LIGHTS AND DOUBLE VERTICAL PANELS



REVISIONS	
NAME	DATE

ILLINOIS DEPARTMENT OF TRANSPORTATION  
 STAGE 2 TRAFFIC CONTROL  
 STANDARD 701321 (SPECIAL)  
 FAS 1774 (OLD IL 121)  
 Section: 113(B-5,B-6)  
 Logan County

SCALE: 1" = 40'  
 DATE: \_\_\_\_\_  
 DRAWN BY: \_\_\_\_\_  
 CHECKED BY: \_\_\_\_\_

PLOT DATE = 9/27/2005  
 PLOT SCALE = 1/4" = 40'  
 USER NAME = rboone