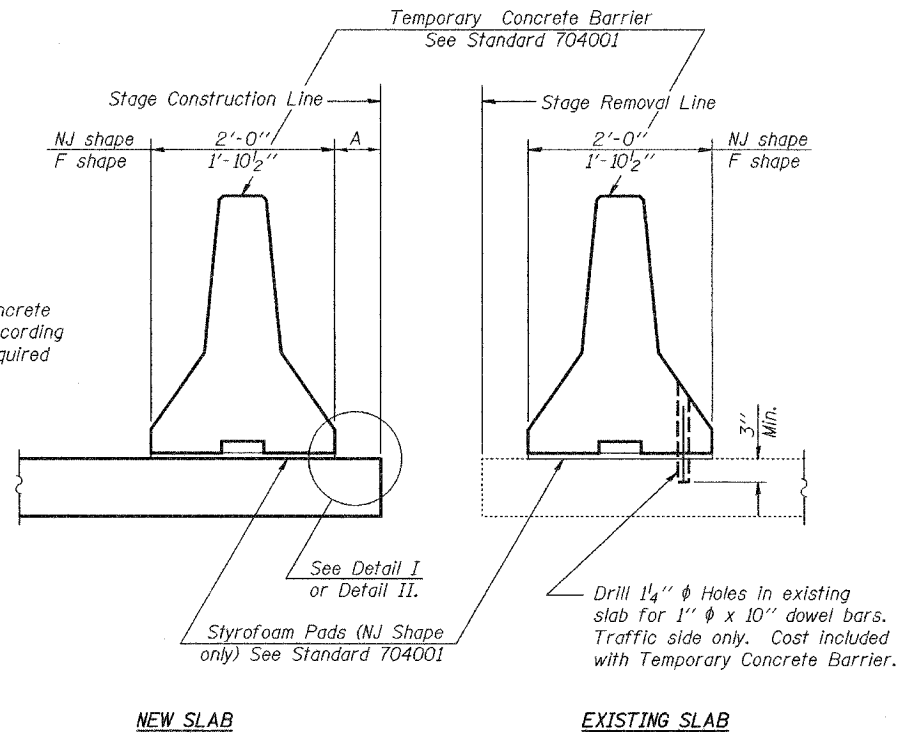


STATE OF ILLINOIS
DEPARTMENT OF TRANSPORTATION

ROUTE NO.	SECTION	COUNTY	TOTAL SHEETS	SHEET NO.	SHEET NO. 3 18 SHEETS
F.A.S. 1774	113(B-5, B-6)	LOGAN	60	20	
FED. ROAD DIST. NO. 7	ILLINOIS	FED. AID PROJECT-			

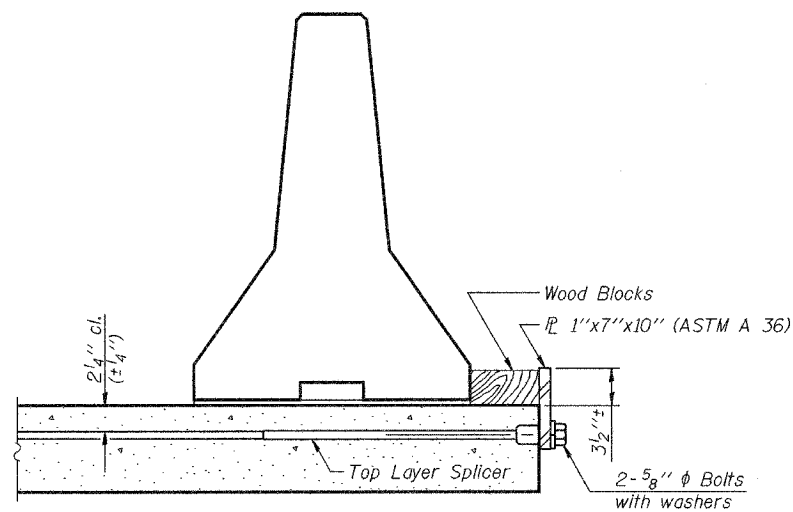
Contract #72760



SECTION THRU SLAB

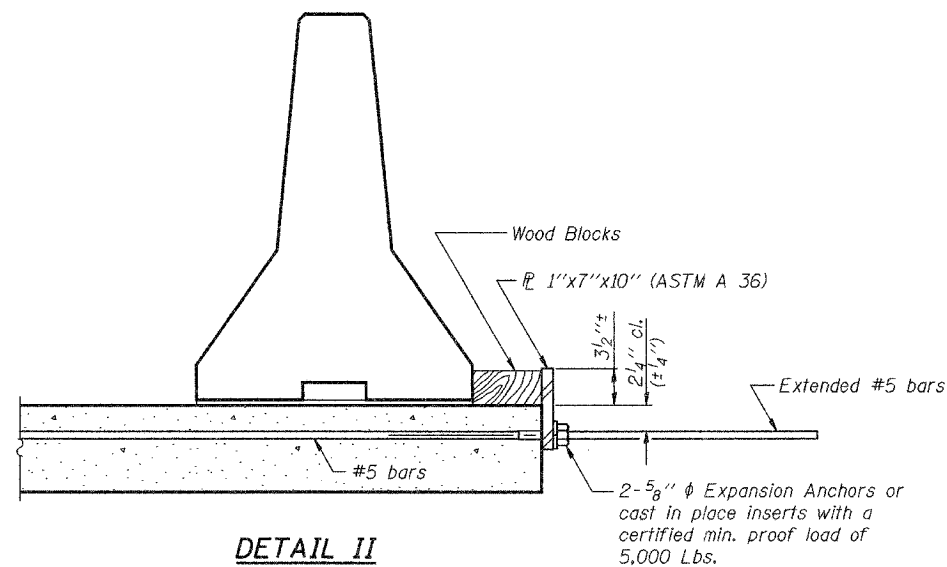
NOTES

- Detail I - With Bar Splicer or Couplers:
Connect one (1) 1"x7"x10" steel \bar{L} to the top layer of couplers with 2-5/8" ϕ bolts screwed to coupler at approximate \bar{C} of each barrier panel.
- Detail II - With Extended Reinforcement Bars:
Connect one (1) 1"x7"x10" steel \bar{L} to the concrete slab with 2-5/8" ϕ Expansion Anchors or cast in place inserts spaced between the top layer of reinforcement at approximate \bar{C} of each barrier panel.
- Cost of anchorage is included with Temporary Concrete Barrier.



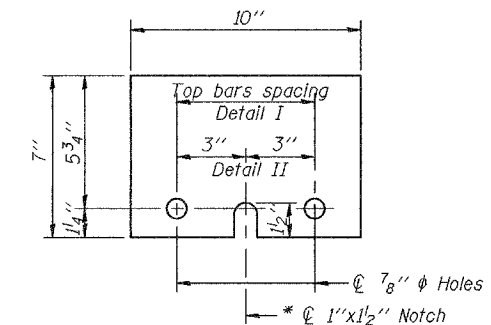
DETAIL I

The 1"x7"x10" Plate shall not be removed until Stage II Construction forms and reinforcement bars are in place.



DETAIL II

The 1"x7"x10" Plate shall not be removed until Stage II Construction forms and all reinforcement bars are in place and the concrete is ready to be placed.



1" x 7" x 10"

* Required only with Detail II

DESIGNED	Stephen M. Ryan
CHECKED	Chi-Cheung Chau
DRAWN	R. Sommer
CHECKED	SMR/CCC

October 14, 2005
EXAMINED <i>Thomas J. Demagala</i> ENGINEER OF BRIDGE DESIGN
PASSED <i>Ralph E. Anderson</i> ENGINEER OF BRIDGES AND STRUCTURES

R-27 10-22-04

TEMPORARY CONCRETE BARRIER
FOR STAGE CONSTRUCTION
F.A.S. RTE. 1774-SEC. 113(B-5,B-6)
LOGAN COUNTY
STATION 1723+50.00
STRUCTURE NO. 054-0505