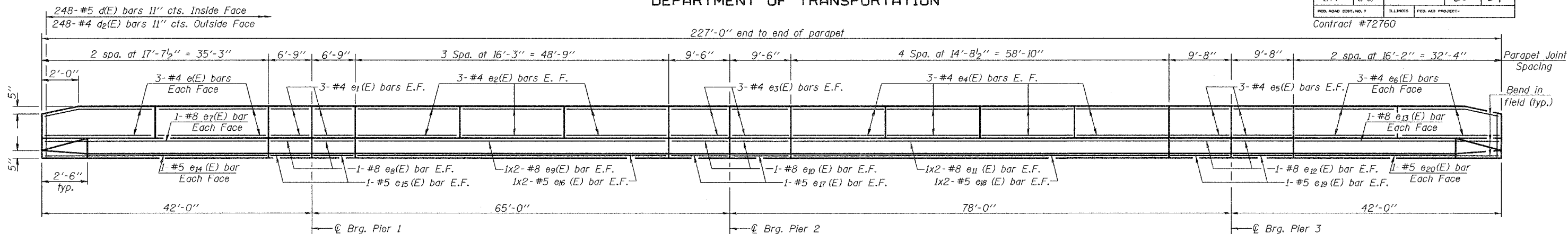


STATE OF ILLINOIS
DEPARTMENT OF TRANSPORTATION

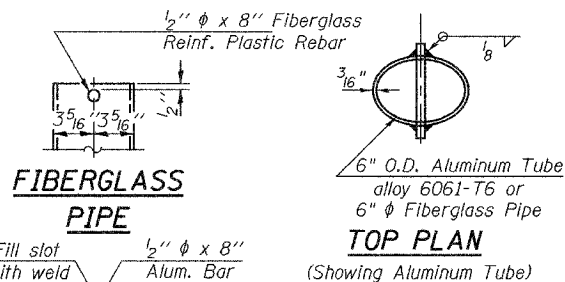
ROUTE NO.	SECTION	COUNTY	SHEETS	SHEET	SHEET NO. 7 18 SHEETS
F.A.S. 1774	113(B-5, B-6)	LOGAN	60	24	
FED. ROAD DIST. NO. 7	ILLINOIS	FED. AID PROJECT			

Contract #72760



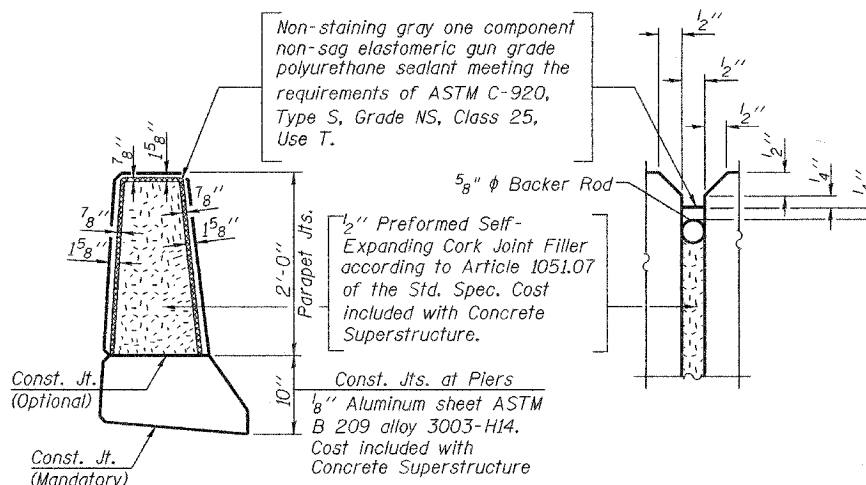
MIN. BAR LAPS

#5 bar = 1'-8"
#8 bar = 3'-5"



INSIDE ELEVATION OF EAST PARAPET

(West Parapet similar)

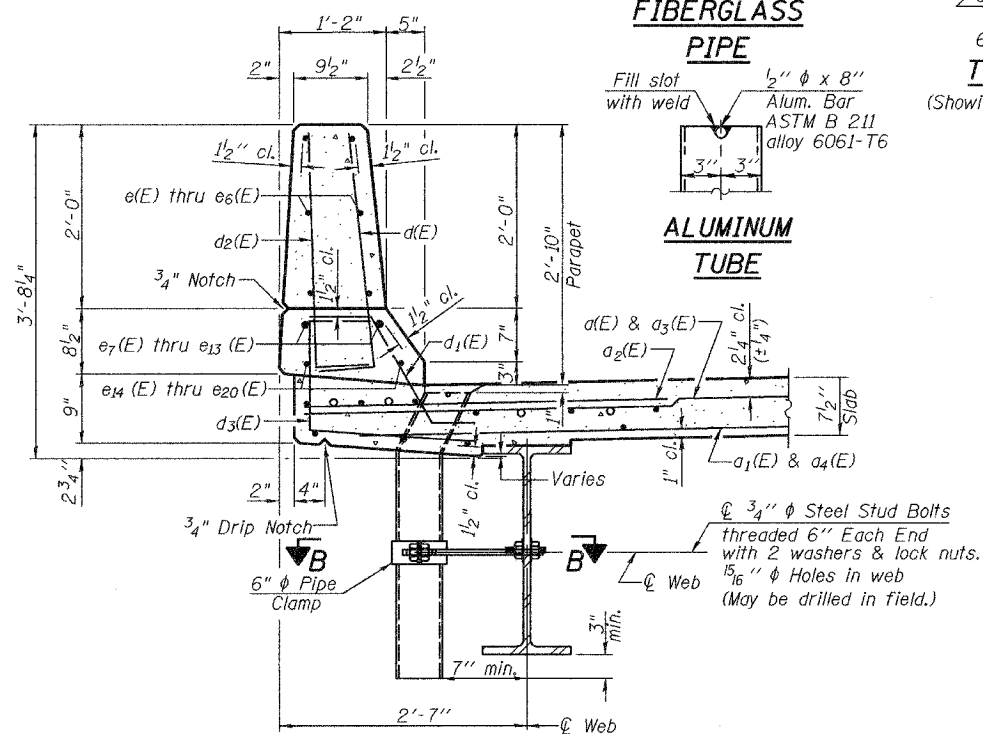


**SUPERSTRUCTURE
BILL OF MATERIAL**

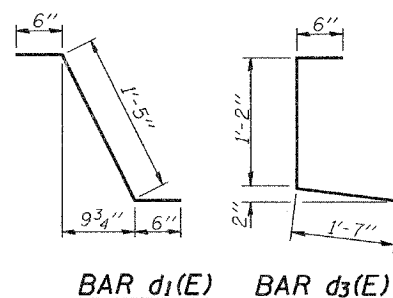
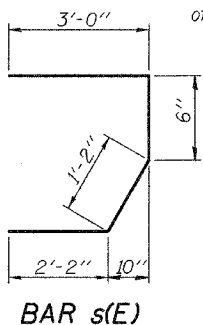
Bar No.	Size	Length	Shape
a1(E)	273	#5 15'-11"	—
a2(E)	342	#6 4'-6"	—
a3(E)	341	#5 17'-7"	—
a4(E)	273	#5 16'-11"	—
b(E)	266	#5 33'-11"	—
b1(E)	34	#6 31'-3"	—
b2(E)	304	#5 29'-10"	—
b3(E)	34	#6 39'-8"	—
b4(E)	34	#6 40'-8"	—
d(E)	496	#5 3'-0"	—
d1(E)	480	#5 2'-5"	—
d2(E)	496	#4 3'-0"	—
d3(E)	496	#4 3'-3"	—
d4(E)	12	#5 2'-2"	—
e(E)	24	#4 17'-4"	—
e1(E)	24	#4 6'-6"	—
e2(E)	36	#4 16'-0"	—
e3(E)	24	#4 9'-3"	—
e4(E)	48	#4 14'-5"	—
e5(E)	24	#4 9'-5"	—
e6(E)	24	#4 15'-8"	—
e7(E)	4	#8 34'-11"	—
e8(E)	8	#8 6'-6"	—
e9(E)	8	#8 26'-0"	—
e10(E)	8	#8 9'-3"	—
e11(E)	8	#8 31'-0"	—
e12(E)	8	#8 9'-5"	—
e13(E)	4	#8 32'-0"	—
m(E)	4	#6 16'-0"	—
m1(E)	4	#6 17'-9"	—
m2(E)	6	#6 16'-9"	—
m3(E)	6	#6 17'-0"	—
m4(E)	24	#6 7'-10"	—
m5(E)	2	#6 3'-3"	—
m6(E)	8	#6 5'-9"	—
m7(E)	4	#6 2'-4"	—
m8(E)	2	#6 2'-3"	—
s(E)	74	#5 6'-10"	—
s1(E)	74	#4 9'-6"	—
v(E)	70	#5 3'-8"	—
Reinforcement Bars		Pound	59180
Epoxy Coated			
Concrete Superstructure		Cu. Yds.	265.3

PARAPET JOINT DETAILS

Notes: The exterior surfaces of the floor drains shall be painted with the finish coat as specified in the special provisions for Cleaning and Painting New Metal Structures. The exterior surfaces of the drains shall be cleaned according to Steel Structures Painting Council's Spec. SSPC-SP1 prior to painting. Fiberglass pipe shall conform to ASTM D 2996, with short-time rupture strength hoop tensile stress of 30,000 p.s.i. minimum.

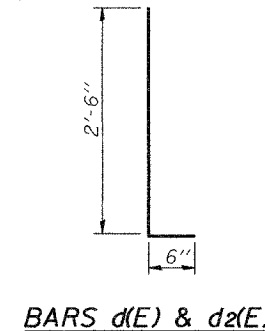
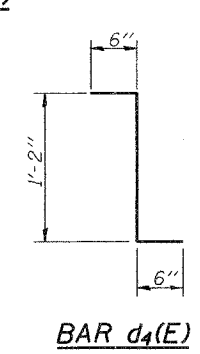
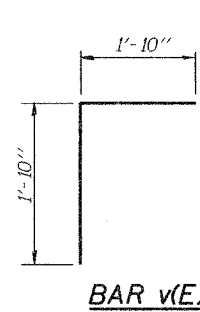
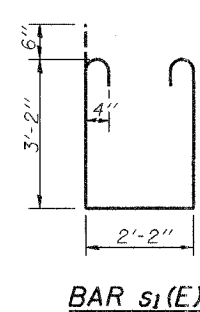
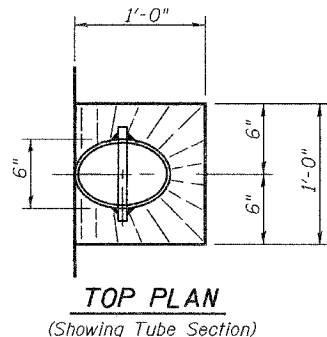
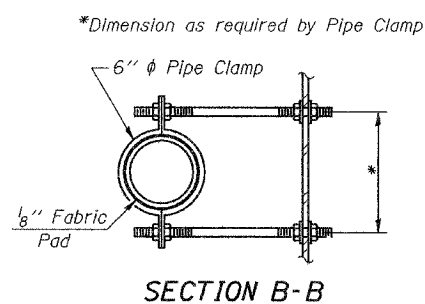


SECTION THRU PARAPET



DESIGNED Stephen M. Ryan
CHECKED Chi-Cheung Chau
DRAWN R. Sommer
CHECKED SMR/CCC

October 14, 2005
EXAMINED Thomas J. Demagalaki
PASSED Ralph E. Anderson



SUPERSTRUCTURE DETAILS
F.A.S. RTE. 1774-SEC. 113(B-5, B-6)
LOGAN COUNTY
STATION 1723+50.00
STRUCTURE NO. 054-0505

Reinforcement bars designated (E) shall be epoxy coated.
Bars indicated thus 1 x 2-#5 etc. indicates 1 line of bars with 2 lengths per line.